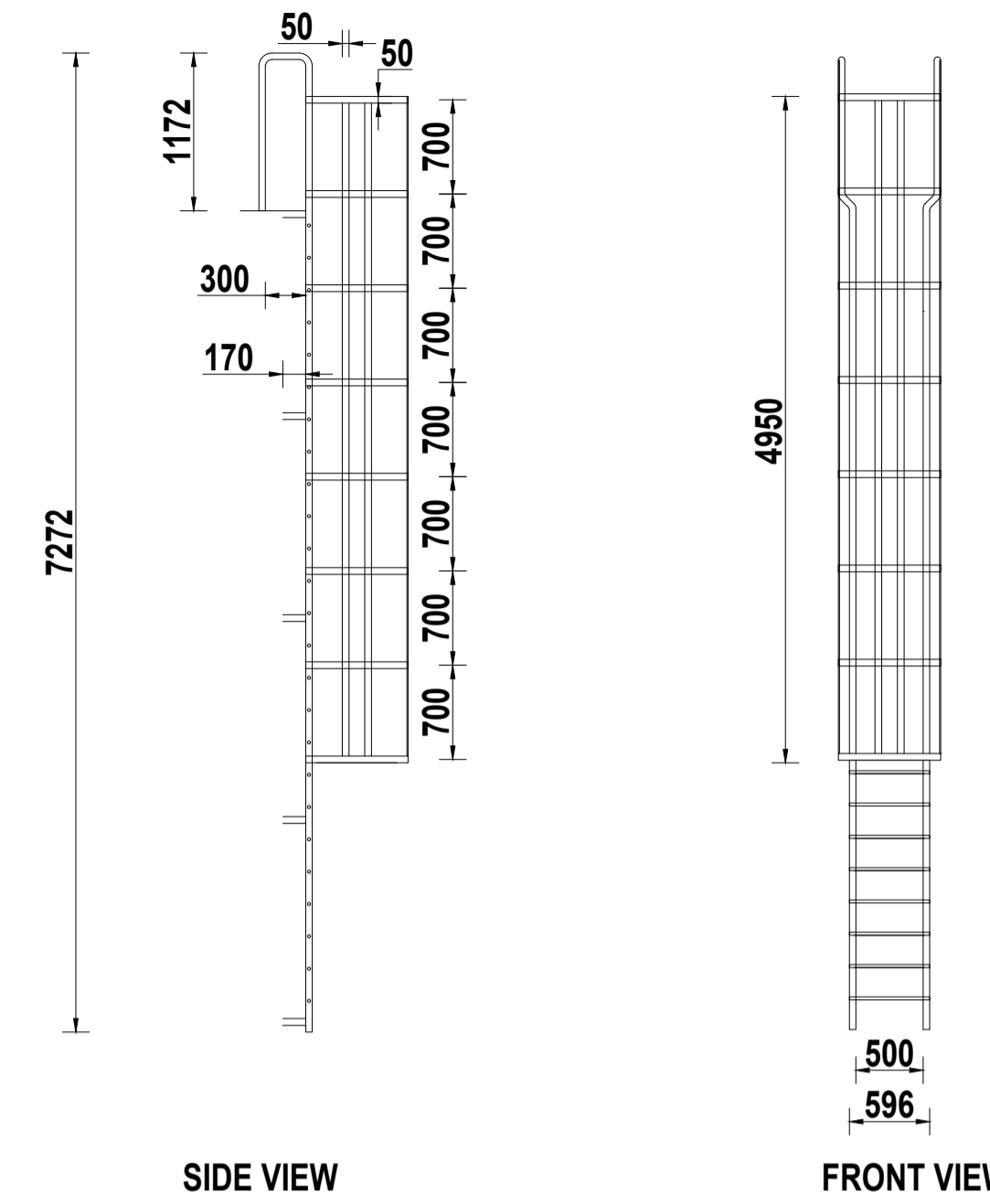
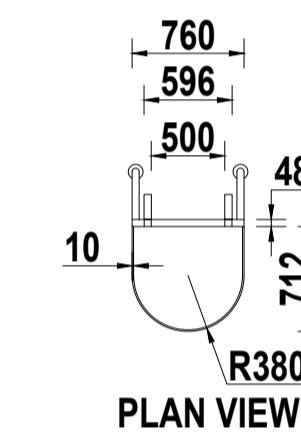


TANK FOUNDATION PLAN VIEW



SIDE VIEW

FRONT VIEW



PLAN VIEW

HOT DIPPED GALVANIZED MILD STEEL ACCESS LADDER WITH CAGE

NO.	DATE	AMENDMENT	D.P.W.

APPROVED BY COUNCIL / CLIENT

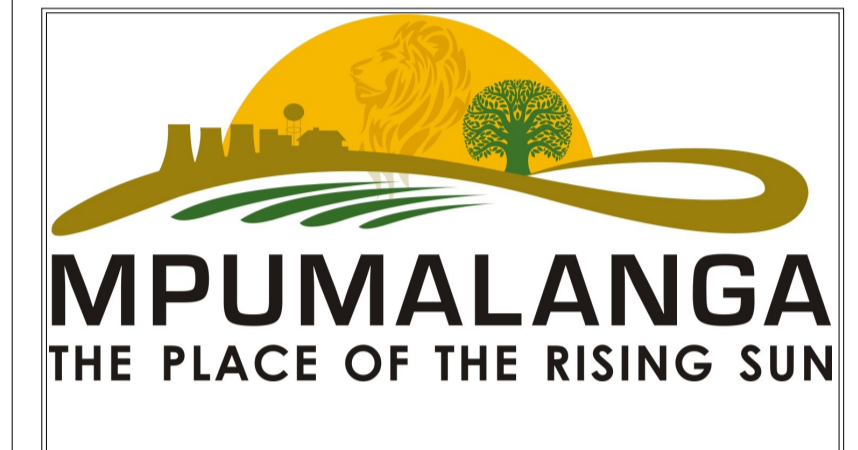
CITY ENGINEER / CLIENT REG. NO. DATE

APPROVED BY

ENGINEER/TECHNOLOGIST REG. NO. DATE

Copyright vests in the Mpumalanga Tourism and Parks Agency

file name
Typical Drawings - Tank Stand



discipline
CIVIL ENGINEERING

service
UPGRADE OF WATER PIPELINE FROM FOREVER RESORT TO THREE RONDAVELS

Project number
P262002

drawing title
Typical Drawings - Tank Stand

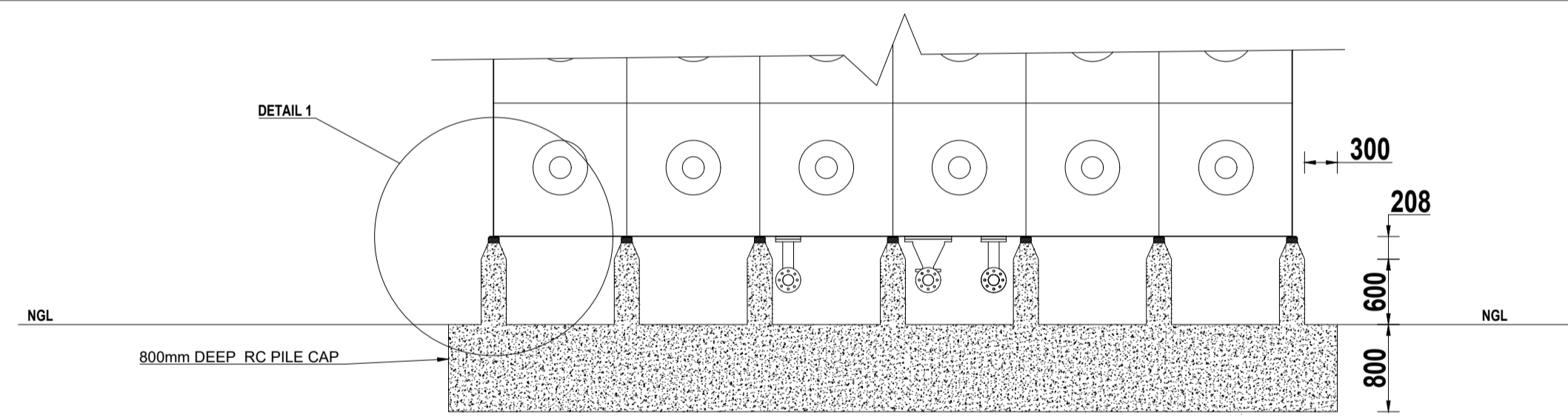
ref.no _____ designed SD MABUNDA

scale 1:50 drawn SD MABUNDA

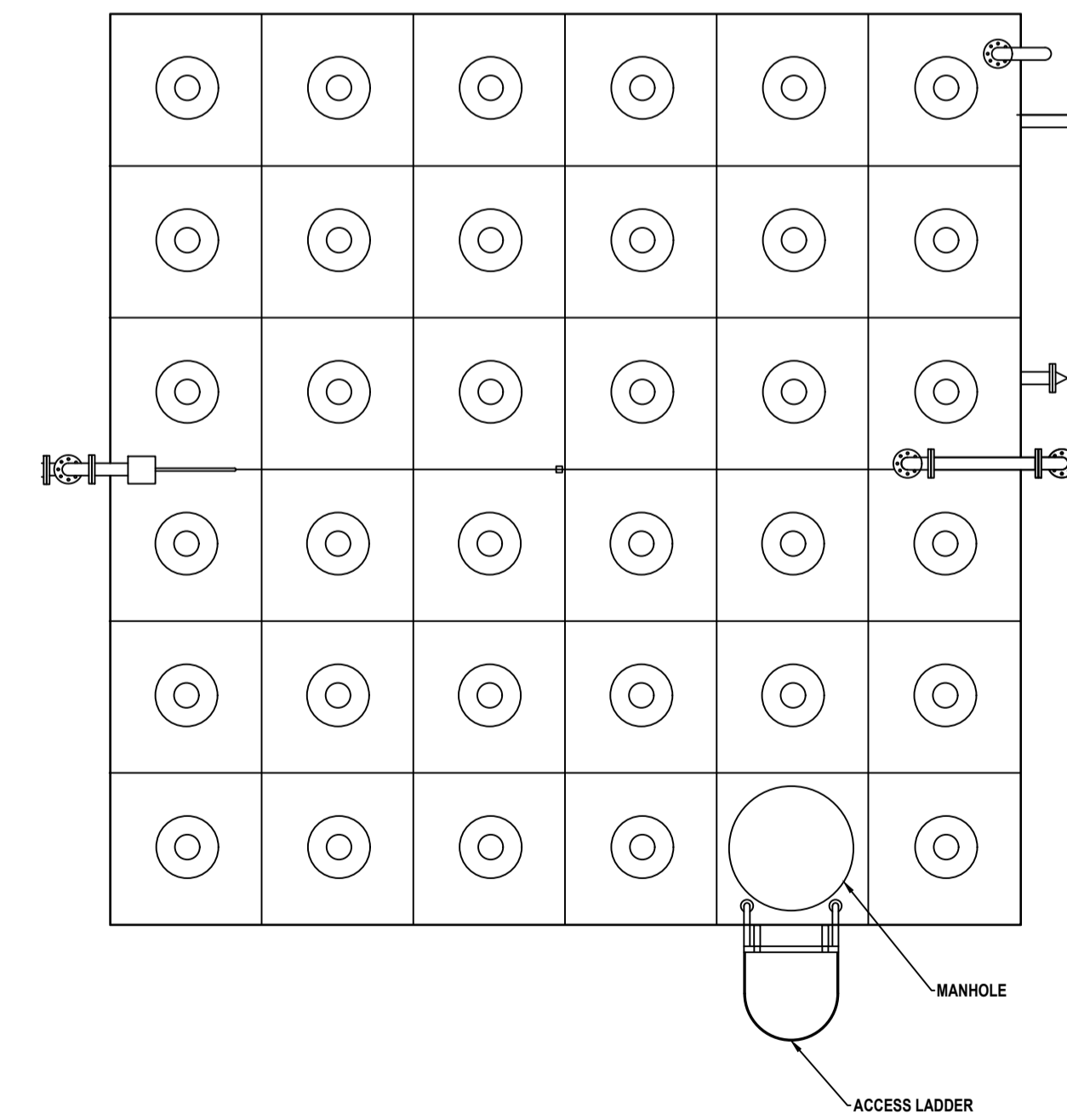
date 2026/06/29 checked SD MABUNDA

type number _____

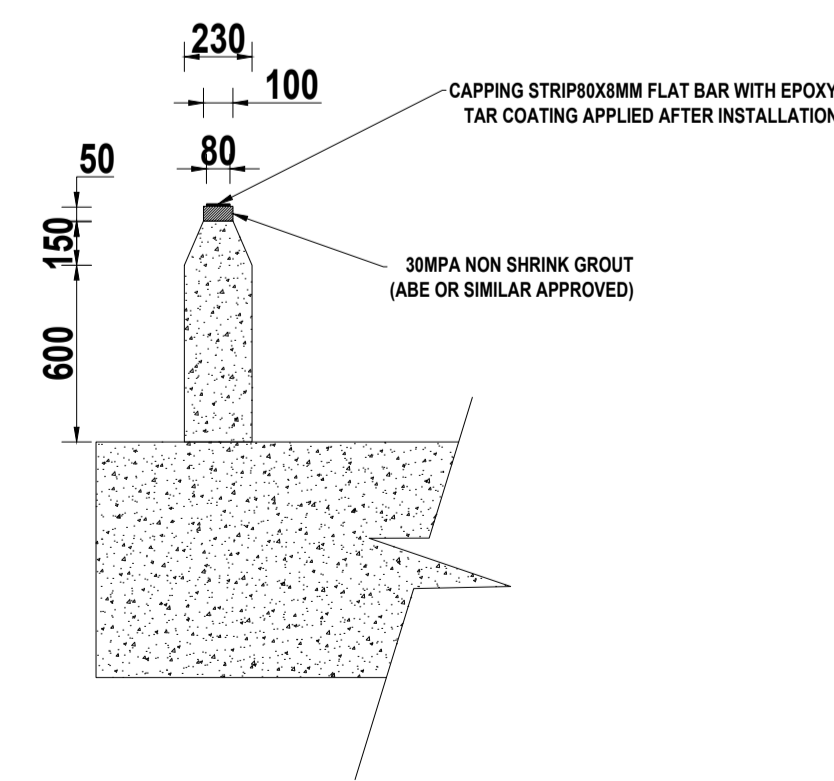
drawing number
P262002 - 01



TANK FOUNDATION SIDE VIEW



TOP VIEW



DETAIL 1
SCALE 1:25