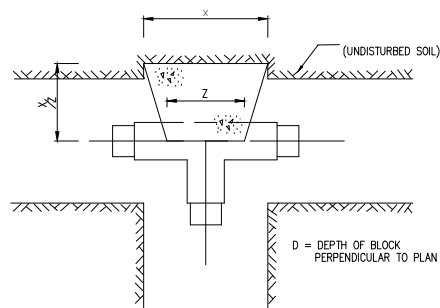


BLOCK SYMMETRICAL ABOUT SPECIAL AXIS AND CAST AGAINST UNDISTURBED EXCAVATIONS



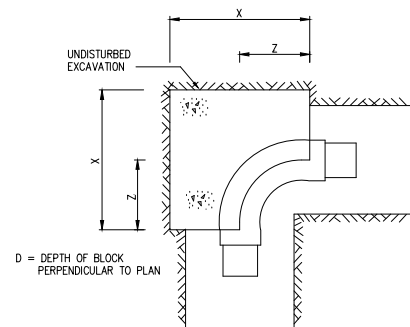
PIPE DIAMETER	X	D	Z
200	1000	500	600
160	950	300	400
110	650	300	300
75	500	200	200

REMARK
COUPLINGS AND FLANGES (INCLUDING SPACE FOR FLANGE NUTS) MUST BE LEFT FREE OF CONCRETE. MINIMUM REQUIREMENTS FOR CONCRETE STRENGTH 15MPa/ 37,5mm.

THRUSTBLOCK A
(For T-Section)

N.T.S.

BLOCK SYMMETRICAL ABOUT SPECIAL AXIS AND CAST AGAINST UNDISTURBED EXCAVATIONS



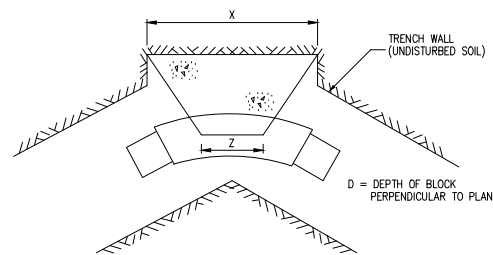
PIPE DIAMETER	X	D	Z
200	1000	500	500
160	950	300	450
110	650	300	300
75	500	200	250

REMARK
COUPLINGS AND FLANGES (INCLUDING SPACE FOR FLANGE NUTS) MUST BE LEFT FREE OF CONCRETE. MINIMUM REQUIREMENTS FOR CONCRETE STRENGTH 15MPa/ 37,5mm.

THRUSTBLOCK B
(For 90° bend)

N.T.S.

BLOCK SYMMETRICAL ABOUT SPECIAL AXIS AND CAST AGAINST UNDISTURBED EXCAVATIONS



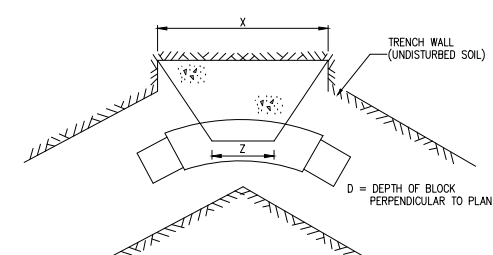
PIPE DIAMETER	X	D	Z
200	775	500	375
160	600	360	300
110	600	250	300
75	500	200	250

REMARK
COUPLINGS AND FLANGES (INCLUDING SPACE FOR FLANGE NUTS) MUST BE LEFT FREE OF CONCRETE. MINIMUM REQUIREMENTS FOR CONCRETE STRENGTH 15MPa/ 37,5mm.

THRUSTBLOCK C
(For 45° bend)

N.T.S.

BLOCK SYMMETRICAL ABOUT SPECIAL AXIS AND CAST AGAINST UNDISTURBED EXCAVATIONS



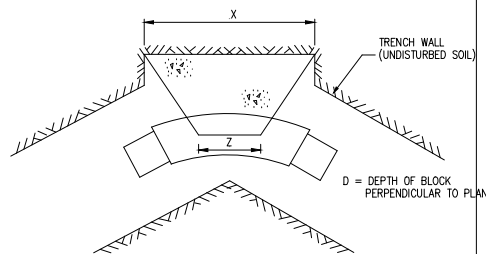
PIPE DIAMETER	X	D	Z
200	700	500	350
160	600	350	300
110	600	250	300
75	500	200	250

REMARK
COUPLINGS AND FLANGES (INCLUDING SPACE FOR FLANGE NUTS) MUST BE LEFT FREE OF CONCRETE. MINIMUM REQUIREMENTS FOR CONCRETE STRENGTH 15MPa/ 37,5mm.

THRUSTBLOCK D
(For 22.5° bend)

N.T.S.

BLOCK SYMMETRICAL ABOUT SPECIAL AXIS AND CAST AGAINST UNDISTURBED EXCAVATIONS

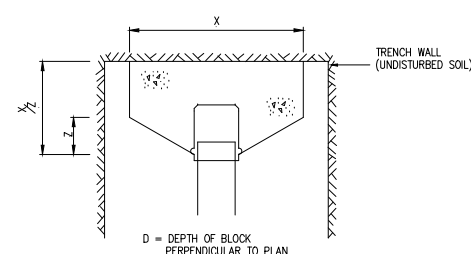


PIPE DIAMETER	X	D	Z
200	750	500	350
160	600	300	300
110	600	250	250
75	500	200	200

REMARK
COUPLINGS AND FLANGES (INCLUDING SPACE FOR FLANGE NUTS) MUST BE LEFT FREE OF CONCRETE. MINIMUM REQUIREMENTS FOR CONCRETE STRENGTH 15MPa/ 37,5mm.

THRUSTBLOCK E
(For 11.25° bend)

BLOCK SYMMETRICAL ABOUT SPECIAL AXIS AND CAST AGAINST UNDISTURBED EXCAVATIONS

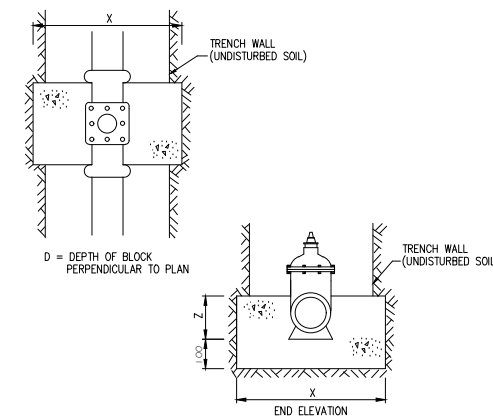


PIPE DIAMETER	X	D	Z
200	1000	500	300
160	950	300	275
110	650	200	125
75	500	150	100

REMARK
COUPLINGS AND FLANGES (INCLUDING SPACE FOR FLANGE NUTS) MUST BE LEFT FREE OF CONCRETE. MINIMUM REQUIREMENTS FOR CONCRETE STRENGTH 15MPa/ 37,5mm.

THRUSTBLOCK F
(For endcap)

BLOCK SYMMETRICAL ABOUT SPECIAL AXIS AND CAST AGAINST UNDISTURBED EXCAVATIONS



PIPE DIAMETER	X	D
200	860	160
160	810	110
75	775	75

REMARK
COUPLINGS AND FLANGES (INCLUDING SPACE FOR FLANGE NUTS) MUST BE LEFT FREE OF CONCRETE. MINIMUM REQUIREMENTS FOR CONCRETE STRENGTH 15MPa/ 37,5mm.

THRUSTBLOCK G
(For Reticulation Valves and hydrants)



MPUMALANGA TOURISM & PARKS AGENCY
Private Bag X 11338 Mbombela 1200
Private Bag X 11338 Mbombela 1200
Tel: :+27 13 065 0860
E-mail: info@mtpa.co.za

NO.	AMENDMENTS	BY	APPROVED	DATE
A	ISSUED FOR TENDER			06/2026

APPROVED ON BEHALF OF THE CONSULTING ENGINEER	REFERENCE
ENGINEER: SIBUSISO MABUNDA REG. No.: 20202163 DATE: 29 JUNE 2026 SIGNATURE: _____	

CONTRACT:	DRAWING:	REVISION:
DATE: JUNE 2026		

BID NO: --	DESIGNED
UPGRADE OF PIPELINE THREE RODAVELS	
THRUST BLOCK DETAILS	
	DRAWN
	REVIEWED
	PROJECT ENGINEER

DESIGNED	DRAWN	REVIEWED	PROJECT ENGINEER