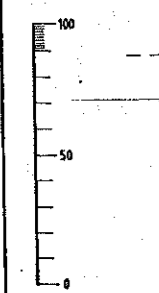
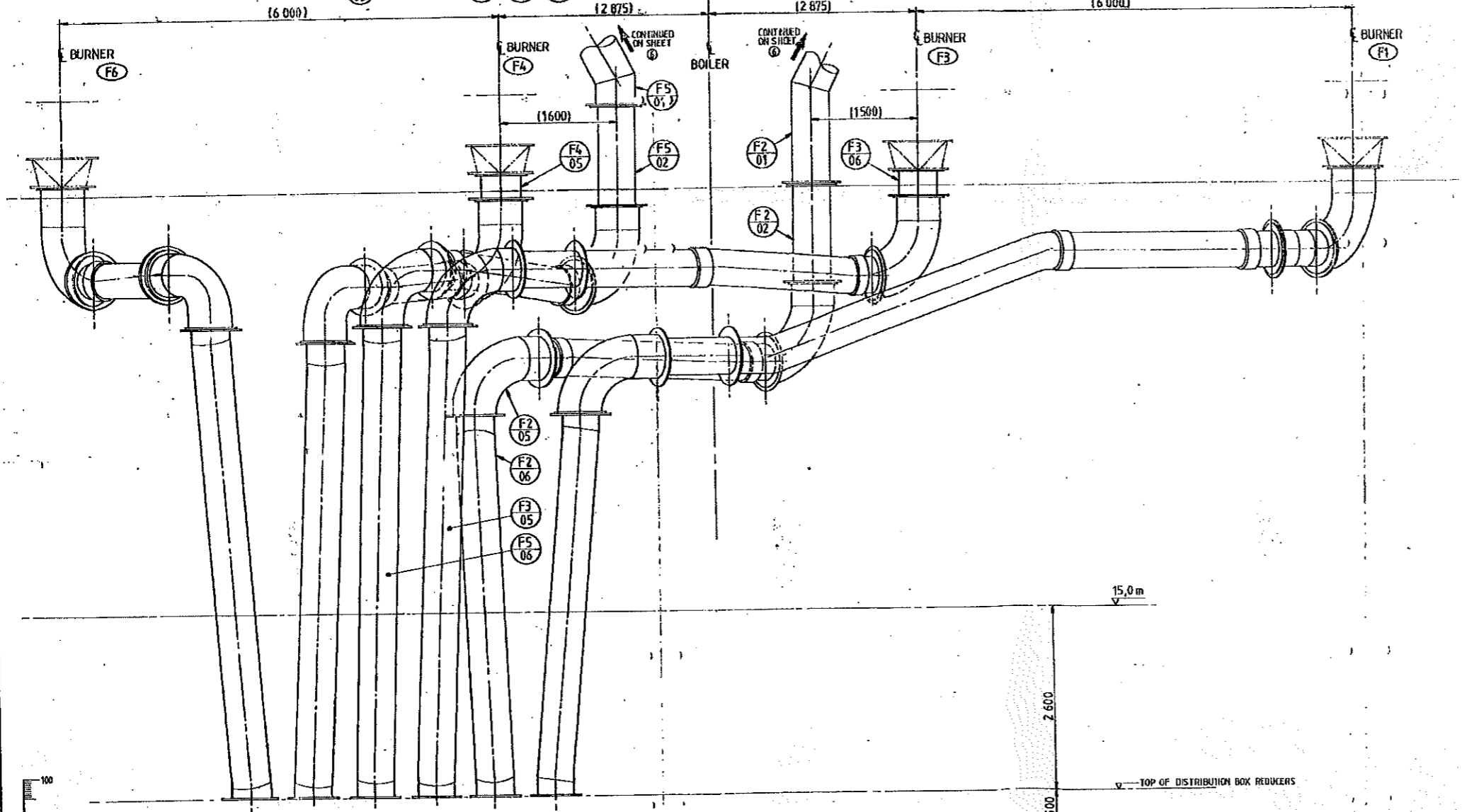
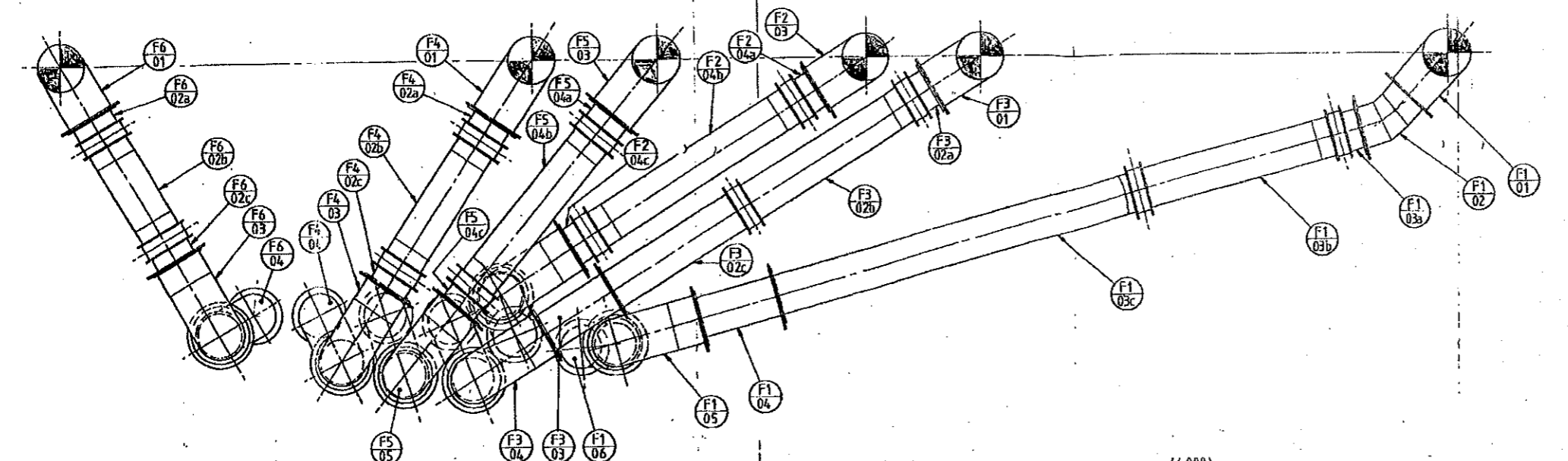


BOILERS  
NO. 4, 5 & 6



0.45/33340 SH4 R1

KRIEL PIS 0107-22

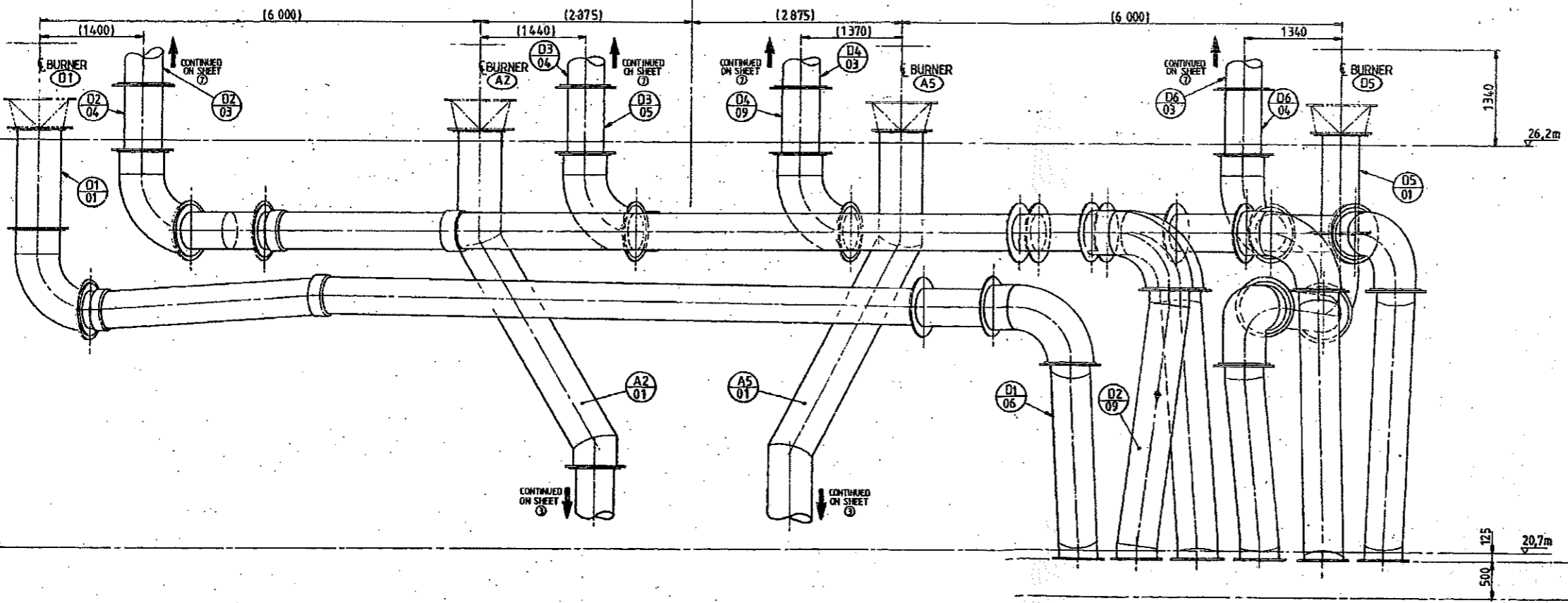
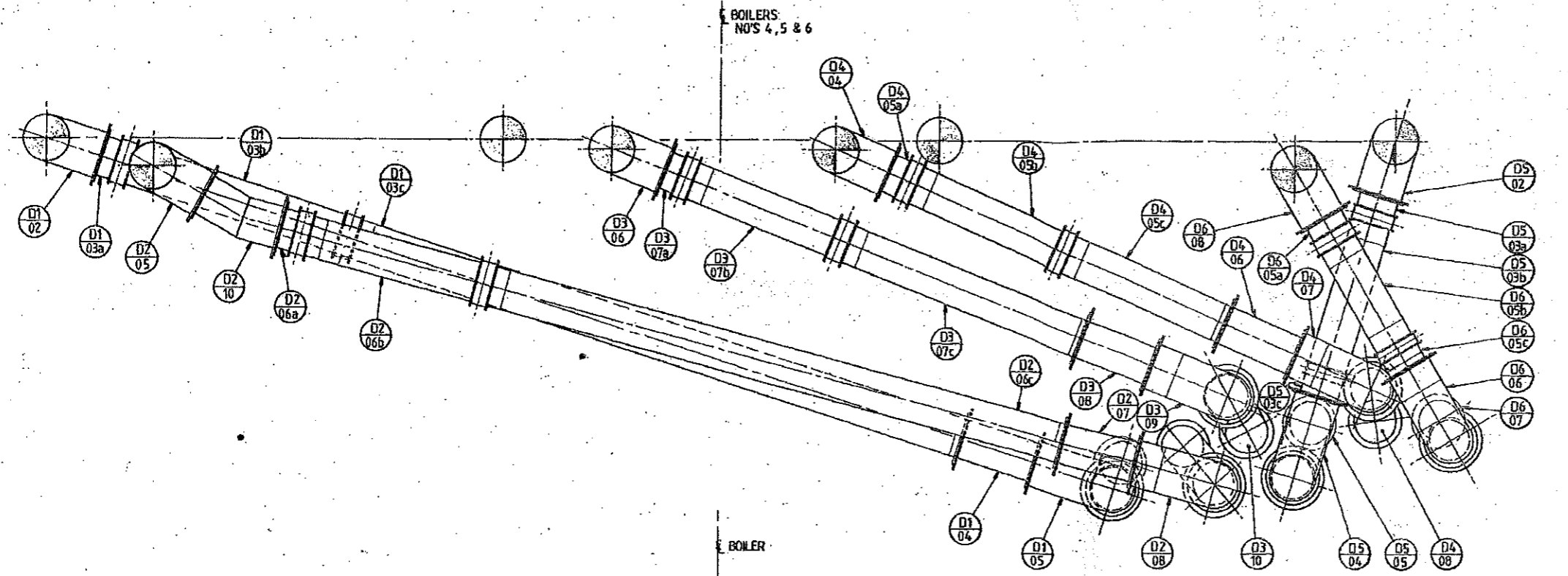
NO.	DATE	BY	CHKD.	APP.
1				
2				
3				
4				

PF PIPEWORK LAYOUT  
22m LEVEL  
F M//

HEITEC ENGINEERING SERVICES CC  
TEL: 011 642-9026

APPROVED: [Signature]  
DATE: 1:25

EK 001/10-B/001  
SHEET 4 OF 8 SHEETS



04333370 3/18 2

KRIEL PIS

04	Exon 09-V/00
03	Exon 07-X/00
02	Exon 07-S/00
01	Exon 107-S/00

DATE	DESCRIPTION	BY	CHECKED

HEITEC ENGINEERING SERVICES CC	PROJECT	DATE	SCALE
TEL(011) 542-9026	PF PIPEWORK - LAYOUT	1:25	


**PF PIPEWORK - LAYOUT**  
26 m LEVEL

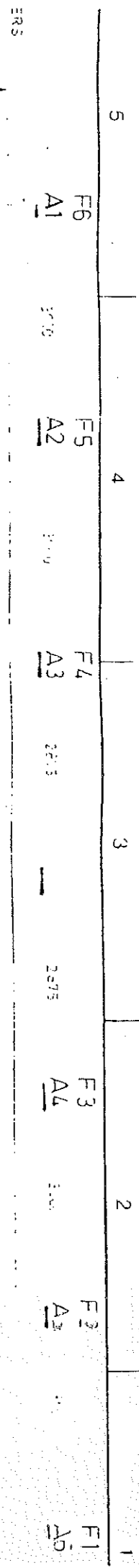
EK001/10-B/00  
SHEET 5 OF 8 SHEETS

HEITEC ENGINEERING SERVICES CC  
TEL(011) 542-9026

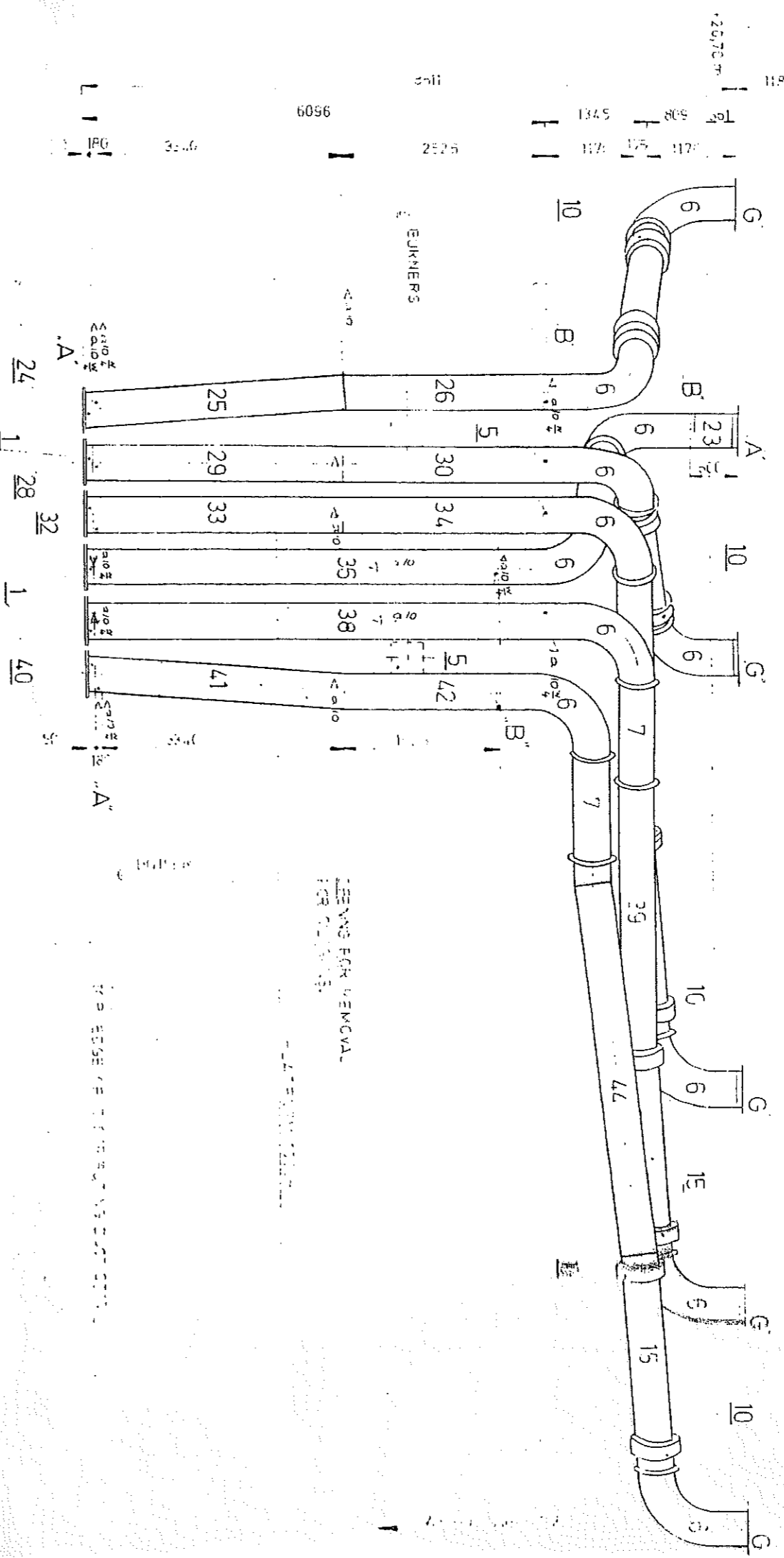
PROJECT: PF PIPEWORK - LAYOUT  
DATE: 1:25  
SCALE: 1:25  
SHEET 5 OF 8 SHEETS



U 4-6 A/F mills



SUPPER CONNECTION



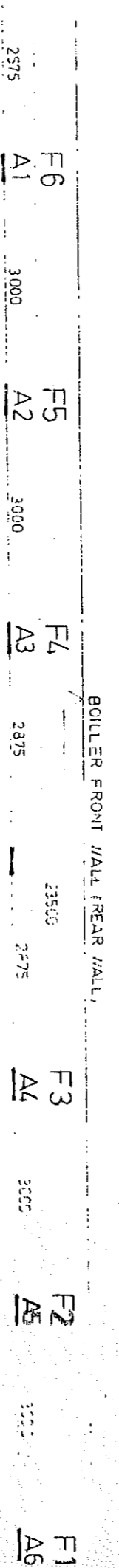
PLAN VIEW FRONT CENTRAL

Burner plane as drawn with platform + 20,70 m.

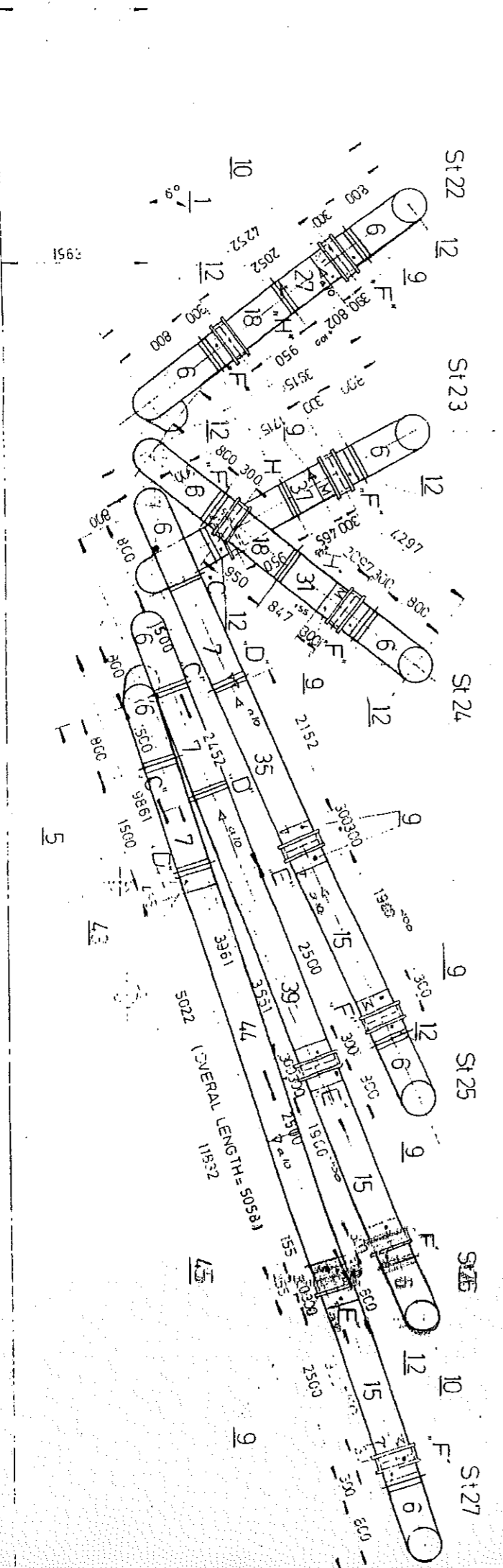
Sub-Assy St 22 to St 27

10ft on Boiler Front wall to Burners A1 to A6 (from Mill A)

10ft on Boiler Rear wall to Burners F1 to F6 (Mill F)



BOILER FRONT WALL REAR WALL



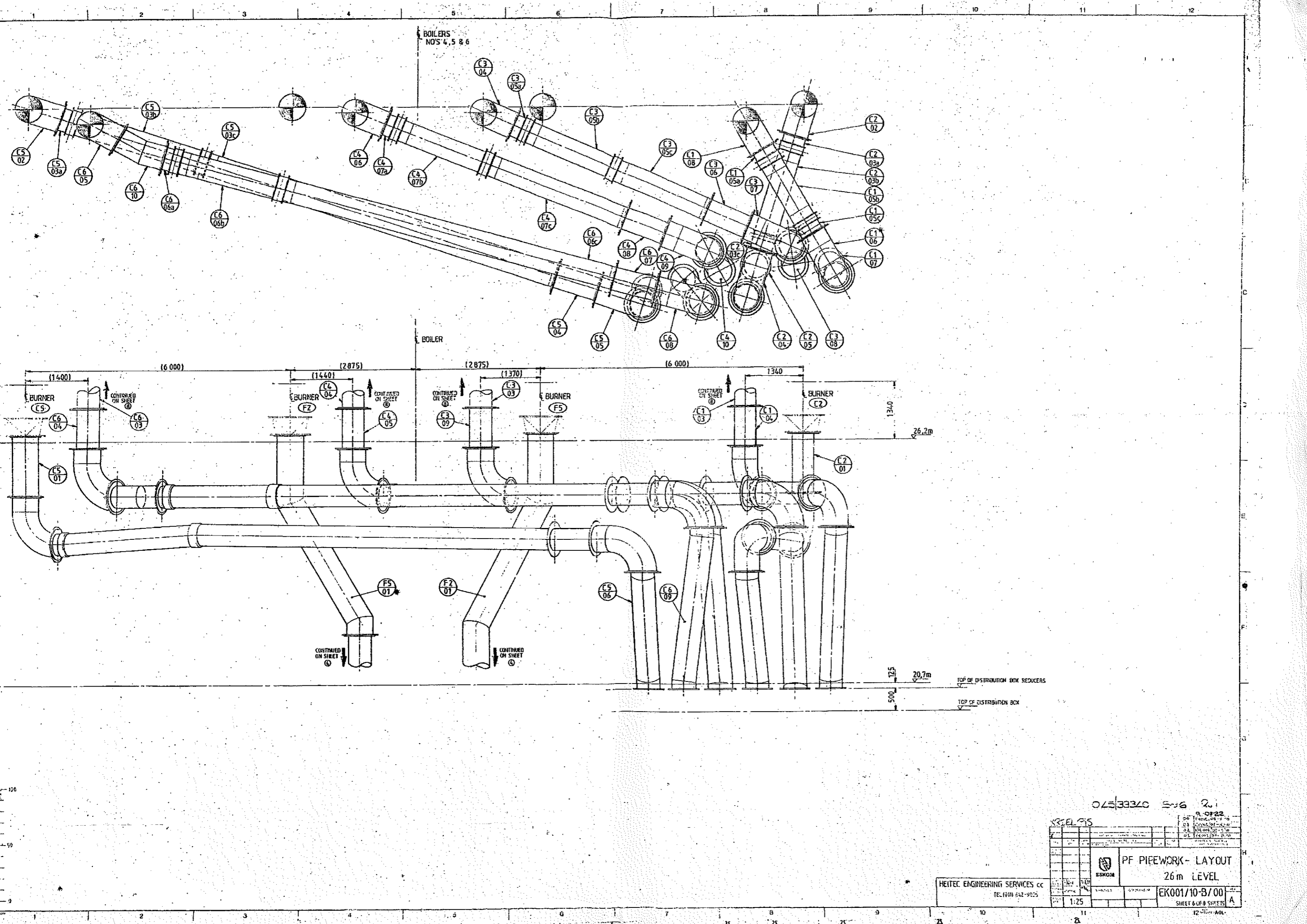
N11-132-

4

DETAIL C

DETAIL D

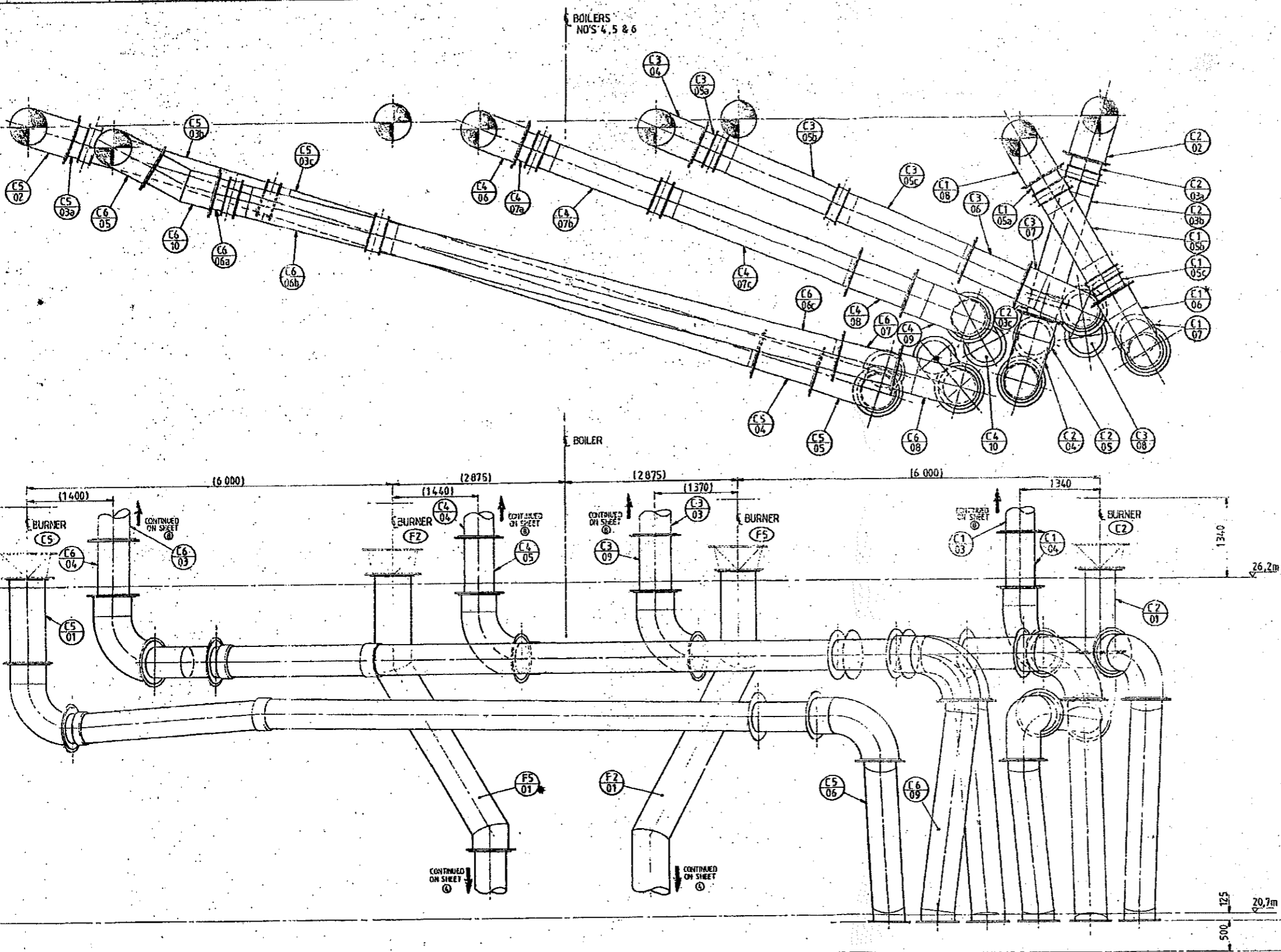
0096 230



07538340 SWG 2.1

DATE	09-08-22
BY	...
CHECKED	...
APPROVED	...
PROJECT	PF PIPEWORK - LAYOUT
LEVEL	26 m LEVEL
DRAWING NO.	EK001/10-B/00
SHEET	6 OF 8 SHEETS
SCALE	1:25

HEITEC ENGINEERING SERVICES CC  
TEL: 011 642-9025



01533320 S-6 Q1

REVISIONS	
NO.	DESCRIPTION
01	PRELIMINARY
02	CONSTRUCTION
03	ISSUED FOR WORK
04	ISSUED FOR WORK
05	ISSUED FOR WORK
06	ISSUED FOR WORK
07	ISSUED FOR WORK
08	ISSUED FOR WORK
09	ISSUED FOR WORK
10	ISSUED FOR WORK
11	ISSUED FOR WORK
12	ISSUED FOR WORK
13	ISSUED FOR WORK
14	ISSUED FOR WORK
15	ISSUED FOR WORK
16	ISSUED FOR WORK
17	ISSUED FOR WORK
18	ISSUED FOR WORK
19	ISSUED FOR WORK
20	ISSUED FOR WORK
21	ISSUED FOR WORK
22	ISSUED FOR WORK
23	ISSUED FOR WORK
24	ISSUED FOR WORK
25	ISSUED FOR WORK
26	ISSUED FOR WORK
27	ISSUED FOR WORK
28	ISSUED FOR WORK
29	ISSUED FOR WORK
30	ISSUED FOR WORK
31	ISSUED FOR WORK
32	ISSUED FOR WORK
33	ISSUED FOR WORK
34	ISSUED FOR WORK
35	ISSUED FOR WORK
36	ISSUED FOR WORK
37	ISSUED FOR WORK
38	ISSUED FOR WORK
39	ISSUED FOR WORK
40	ISSUED FOR WORK
41	ISSUED FOR WORK
42	ISSUED FOR WORK
43	ISSUED FOR WORK
44	ISSUED FOR WORK
45	ISSUED FOR WORK
46	ISSUED FOR WORK
47	ISSUED FOR WORK
48	ISSUED FOR WORK
49	ISSUED FOR WORK
50	ISSUED FOR WORK

HETEC ENGINEERING SERVICES cc  
TEL: 011 642-9925

PF PIPEWORK - LAYOUT  
26 m LEVEL

EK001/10-B/00  
SHEET 6 OF 8 SHEETS

1:25

A