

INVITATION TO BID

AIR TRAFFIC AND NAVIGATION SERVICES SOC LTD REPUBLIC OF SOUTH AFRICA



REQUEST FOR QUOTATION (RE-ADVERT)

APPOINTMENT OF A SERVICE PROVIDER FOR THE SUPPLY AND DELIVERY OF RADAR TOOLS AT GEORGE AIRPORT (FAGG)

JULY 2026

The information contained within this document is confidential to ATNS in all respects and it is hereby acknowledged that the information provided shall only be used for the preparation of a response to this document. The information furnished will not be used for any other purpose than stated and that the information will not directly or indirectly, by agent, employee or representative, be disclosed either in whole or in part, to any other third party without the express written consent by the Company or its representative.

REFERENCE NUMBER	ATNS/RFQ/02/2026/22/FAGG_RADAR MOTOR TOOLS_RE-ADVERT
DESCRIPTION	APPOINTMENT OF A SERVICE PROVIDER FOR THE SUPPLY AND DELIVERY OF RADAR TOOLS AT GEORGE AIRPORT (FAGG)
ISSUE DATE	08 July 2026
CLOSING DATE	24 July 2026
CLOSING TIME	11h00, CAT
BID SUBMISSION - ONLINE	All bid submissions must be made via the e-Submission (e-Tender) system - Note: Submissions sent via email will not be accepted or processed.

Table of Contents

SECTION A: INTRODUCTION AND SCOPE OF WORK	7
1. Introduction.....	7
2. Purpose of the Bid	9
3. Scope of work	9
4. Validity Period	11
5. Correspondence	11
6. Bid Submission Structure	12
SECTION B: BID EVALUATION PROCESS	12
7. Stage 1: Administrative Requirements	13
8. Stage 2: Evaluation for Price and ATNS Specific Goals.....	14
9. Verification of Specific Goals	15
10. ATNS Specific Goals	15
SECTION C: RFQ CONDITIONS AND INSTRUCTIONS TO BID	16
11. Disclaimer	16
12. Contract Terms	16
13. Cancellation of Procurement Process.....	16
14. Bid Submission Conditions, Instruction and Evaluation Process/Criteria.....	17
15. Negotiation and Contracting	17
16. Reasons for Rejection.....	17
17. General Conditions of Contract.....	17
18. Additional Information Requirements	17
19. Confidentiality	18
20. Intellectual Property, Inventions and Copyright.....	18
21. Non-Compliance with Delivery Terms	18
22. Warrants.....	18
23. Parties not affected by waiver or breaches	18
24. Retention.....	18
25. Central Supplier Database	19
26. Format of Bids	19
27. SARS Tax Clearance Certificate(S)	19
28. Declaration of Interest	19

29.	Invitation to Bid	20
30.	Pricing Schedule	20
31.	Registration On the CSD	20
32.	Registration Certificates and Accreditation with OEMS Or Professional Bodies 20	
SECTION D: STANDARD BIDDING DOCUMENTS		21
34.	SBD 1 - Invitation to Bid (PART A)	21
35.	SBD 1 – Terms and Conditions for Bidding (PART B)	22
36.	SBD 3.3 – Pricing Schedule (Professional Services)	21
37.	SBD 4 – Bidder’s Disclosure	23
38.	SBD 6.1 – Preferential Points Claim Form in Terms of the Preferential Procurement Regulations 2022	26
39.	Protection of Personal Information (POPIA) Consent.....	31
44.	General Conditions of Contract.....	38

BIDDING STRUCTURE

NOTE TO BIDDERS:

Submissions from all prospective bidders must clearly specify their respective bidding structure by marking the relevant section with an 'X' below. Bidders must also indicate whether the primary bidding entity is main bidder or other to provide supporting documentation accordingly.

A. Bidding Structure Type

(Mark one with an 'X')

Structure Type	Mark (X)
Individual Bidder	
¹ Joint Venture (JV)	
Consortium	
With Sub-Contractors	
Other (Specify):	

B. Primary Bidder: Tender Submission Structure

(Mark one with an 'X' and provide documentation as applicable – see mandatory evaluation criteria)

Bidder Type	Mark (X)
Original Equipment Manufacturer (OEM)	
² Authorised Distributor / Reseller	
Other (Specify):	

C. Bidder Details

(Complete for Individual Bidder, Lead JV Member or Primary Entity in Consortium)

Item	Details
Registered Name of Bidder	
Registration Number	
VAT Registration Number	
Contact Person	
Telephone Number	
Fax Number	
Cell Number(s)	
E-mail Address	
Postal Address	
Physical Address	

D. Details of Joint Venture / Consortium Members

(Only complete if applicable – add more rows as needed)

¹ If joint venture or consortium includes both OEM and distributor/reseller, clearly indicate each party's role and attach joint responsibility agreements.

² If the bidder is a distributor/reseller, a valid OEM authorisation letter must be attached.

Bidding partner/member 1:

Item	Details
Company Name	
Registration No.	
VAT No.	
Contact Person	
E-mail	
Phone No.	
Role (OEM/Reseller/Integrator/etc.)	

Bidding partner/member 2:

Item	Details
Company Name	
Registration No.	
VAT No.	
Contact Person	
E-mail	
Phone No.	
Role (OEM/Reseller/Integrator/etc.)	

IMPORTANT NOTICE

The information contained herein, is given without any liability whatsoever to Air Traffic & Navigation Services Company Limited (ATNS) and no representation or warranty, express or implied, is made as to the accuracy, completeness, or thoroughness of the content of this Request for Quotation (RFQ).

This RFQ is for the confidential use of only those persons/companies who are participants of this RFQ. Each recipient acknowledges that the contents of this RFQ are confidential and agrees that it will not without the prior written consent of ATNS, reproduce, use, or disclose such information in whole or in part, to any other party other than as required by law or other regulatory requirements.

The Bidder shall bear all costs incurred by him in connection with the preparation and submission of his Bid Response and for finalisation of the contract and the attachments thereof. ATNS will in no case be responsible for payment to the Bidder for these costs. The Company reserves the right to reject any or all Bids, to undertake discussions with one or more Bidders, and to accept that Bid or modified Bid which in its sole judgment, will be most advantageous to the Company, price and other evaluation factors having been considered.

SECTION A: INTRODUCTION AND SCOPE OF WORK

1. Introduction

About ATNS

The Air Traffic and Navigation Services (ATNS) Company of South Africa provides air traffic management, communication, surveillance, navigation, and related services, including training. ATNS manages **10% of the world's airspace** and employs over **1,100 staff** to ensure **safe, efficient, and orderly** air traffic services across **21 aerodromes** in South Africa, including OR Tambo, Cape Town, and King Shaka International Airports. In the broader African region, ATNS supports aeronautical satellite communication (VSAT networks) across **33 states**, connecting the continent from **Cape to Cairo** and extending to the Middle East.

ATNS Vision:

To be the leading provider of air traffic management solutions and associated services across Africa and select international markets.

ATNS Mission:

To provide safe, expeditious, and efficient air traffic management solutions, while ensuring economic, social, and environmental sustainability.

ATNS values include:

- ✦ **Safety and Customer Centricity:** Prioritising customer needs and ensuring that safety is non-negotiable
- ✦ **Accountability:** Holding ourselves and others accountable for our actions
- ✦ **Agility:** Ensuring that we are flexible and adaptable to change
- ✦ **Diversity:** Embracing inclusion, equality and social differences
- ✦ **Integrity:** Following a moral and incorruptible corporate code

ATNS Business Environment

ATNS is a State-Owned Company (SOC), established in 1993 under the ATNS Company Act (Act 45 of 1993) to provide air traffic services aligned with ICAO standards and South African Civil Aviation Regulations. As a commercialised air navigation service provider (ANSP), ATNS operates on a “user-pays” principle, relying on revenues and debt funding to cover operational and capital expenses.

I **Regulated Business Activities**

ATNS regulated activities contribute 90% of its revenue. Key offerings include:

- ✦ **Air navigation services:** Planning, operating, and maintaining airspace infrastructure such as communication, navigation, and surveillance (CNS) systems.
- ✦ **Air traffic service charges:** Governed by the Economic Regulating Committee (RC), ATNS sets service tariffs and maintains service standards under a five-year permission structure.
- ✦ **Training:** The ATNS Aviation Training Academy (ATA) provides internationally accredited air traffic services and technical training, earning recognition as IATA’s Top Regional Training Partner in 2012 and 2013.
- ✦





I **Non-Regulated Business Activities:**




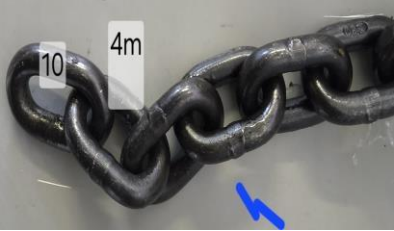


- ✦ ATNS non-regulated operations contribute **10% of revenue** and focus on **regional expansion** through a subsidiary, **ATNS International**. This platform enables ATNS to explore **joint ventures and partnerships**, enhancing market opportunities and regional influence.
- ✦ For more details, visit: www.atns.com



2. Purpose of the Bid

2.1. The primary objective is to appoint a suitable service provider for the supply and delivery of Radar Tools at George Airport (FAGG)

3. Scope of work

No.	Item	Item description	Unit of measure	Picture
1	Lever-operated wire-rope pulling & lifting machine	Versatile portable multi-purpose manual hoist for lifting, pulling, and positioning. Can lift weights up to 800Kg. Cable length 20m	800 Kg	
2	Portable electric wire rope hoists with unlimited wire rope length	Portable light, and easy to handle. Electrical powered with a working load limit 550Kg. Cable length 20m	550 Kg	
3	Gate motor wheels	Gate wheel kit with an 80mm radius. Maximum gate weight 800Kg. Ideal for round bar track	800 Kg	
4	Lifting eye bolt	Specialised bolt with an eye at one end. To create a secure attachment point for lifting and rigging equipment.	M16	

5	D shackle 10mm	Type of shackle shaped like "D" used for connecting components in a chain	10 mm	
6	Bolts M12 x40mm High Tensile	Fastener designed to withstand significant stress. They can handle substantial pulling force without breaking	M12 x 40mm	
7	Square washer	A square piece of metal with a round hole in the centre. Dimension is 40mm x 40mm with a 14mm hole	40mm x 40 mm 14 mm hole in centre	
8	Lifting chain	Specialized chain that is used to hoist heavy loads	30mm	
9	Combination spanner 30mm	Versatile tool that features both an open ended and circular ring spanner	30mm	
10	Combination spanner 32mm	Versatile tool that features both an open ended and circular ring spanner	32mm	

11	Water Pump Pliers 300mm	Type of adjustable pliers with a unique design that allows them to grip a wide range of sizes and shapes of objects	300mm	
12	Steel tool box	Metal toolbox with side handles. Must be able to be locked	Dimension s 37.8cm x 29.4 cm x 71.6 cm	

Delivery address

ATNS, George Airport (FAGG)
R404 (Airport Road)
George
Western Cape
6530

4. Validity Period

- 4.1. Proposals must remain valid for **60 days** from submission.
- 4.2. Extensions may be requested, with bidders notified accordingly.

5. Correspondence

5.1. Clarifications Before Bid Closure

All queries should be directed to:

Officer: Demand Management

Bright Blessie: BrightB@atns.co.za (cc: RFQs@atns.co.za)

- 4.1.1 Insert the reference number and description of tender on the subject line

5.2. Clarifications After Bid Closure

5.2.1. All queries should be directed to:

Officer: Acquisition Management

Mandisa Mako: MandisaM@atns.co.za (cc: RFQs@atns.co.za)

5.2.2. Insert the reference number and description of tender on the subject line

6. Bid Submission Structure

6.1. The bid must be submitted in **two parcels through e-Submission (e-Tender) system:**

6.1.1. Parcel A – Administrative (Phase 1 & 2 Evaluation)

- **Volume 1A:** General instructions and administrative requirements
(Excluding SBD 3.1 & 6.1)
- **Phase 1:** Administrative Requirements
- **Phase 2:** Mandatory Requirements

6.1.2. Parcel B – Price & Specific Goals (Phase 2 Evaluation)

- **Phase 2:** SBD 3.1 - Pricing schedule
- **Phase 2:** SBD 6.1 - Preference Points Claim Form
- Central Supplier Database (CSD) Report
- Companies and Intellectual Property Commission (CIPC) Documents
- Shareholder Certificates
- ID copies of shareholders
- Valid B-BBEE Certificate or Sworn Affidavit (for EMEs/QSEs)

SECTION B: BID EVALUATION PROCESS

The bid evaluation process for this RFQ will be conducted in Three (3) distinct stages as follows:

Stage 1: Administrative Requirements

Stage 2: Mandatory Requirements

Stage 3: Price and Specific Goals

7. Stage 1: Administrative Requirements

No.	Requirement	Description
7.1.	South African Revenue Services (SARS) Valid Tax Compliance Status PIN Document	The bidder must submit proof of tax compliance demonstrating that the bidder meets SARS requirements. SARS PIN must remain valid for 60 days from submission

7.10 Non-Compliance with Administrative Requirements If the Bidder fails to comply with any of the administrative requirements, or if ATNS is unable to verify whether these requirements are met, ATNS reserves the right to:

7.10.1 **Reject the bid** and exclude it from further evaluation, or

7.10.2 **Accept the bid** for evaluation, subject to the following condition:

7.10.2.1 The Bidder must submit any supplementary information within **seven (7) days** to achieve full compliance.

7.10.2.2 The supplementary information must strictly address **administrative requirements** and **not be substantive** in nature.

8. Mandatory Requirements

No.	Mandatory Criteria	Required proof / Evidence
1	Reference Letter	<p>The bidder must provide two (2) contactable reference letter for completed services in supply and delivery.</p> <p>NOTE:</p> <ol style="list-style-type: none"> 1. <i>Failure to provide this document will result in automatic disqualification</i> 2. <i>The document must be printed on the official letterhead of the client organisation (referee)</i> 3. <i>Must clearly confirm the services in supply and delivery successfully completed.</i> 4. <i>The service must have been completed within the past 5 years</i> 5. <i>Document must be signed by an authorised representative of the client</i> 6. <i>Must include contact details for verification (phone number and/or email address)</i> 7. <i>Letters of appointment, project award notifications, or contracts will not be accepted as substitutes.</i>

9. Stage 3: Evaluation for Price and ATNS Specific Goals

8.1 The bid will be evaluated using the **80/20-point system**.

Criteria	Means of Verification	Points
Price	Proposed Bid Price	80,00
Preference Points	Specific Goals	20,00
Total Points		100,00

8.2 The 80/20 price/preference points system will be applied to the evaluation of responsive tenders up to and including a Rand value of R50'000'000 (all applicable taxes included), whereby the order(s) will be placed with the tenderer(s) scoring the highest total number of adjudication points.

8.3 The formulae to be utilised in calculating points scored for price are as follows:

$$Ps = 80 \left(1 - \frac{Pt - Pmin}{Pmin} \right) Pmin$$

Where

- Ps = Points scored for price of tender under consideration
- Pt = Price of tender under consideration
- Pmin = Price of lowest acceptable tender

8.3.1 The tendered amounts shall be evaluated based on the pricing information provided by bidder in the applicable Standard Bidding Document (SBD) for this bid:

Required Document	Definition	Required Evidence for evaluation
SBD 3.1	Pricing Schedule (Purchases)	Full completed and signed Standard Bidding Document (SBD 3.1) and any other Price related document as requested in this bid.

8.4 Preference points will be based on the Specific Goal as per below:

The specific goals allocated in terms of this bid	Definition	Required Evidence	Number of points allocated (80/20 system)
51% Black Owned suppliers (Section 2(1)(d)(i) of the	An entity with at least 51% black ownership, which	CSD Report CIPC Documents	10,00

PPPFA)	confers both voting rights and economic interest to black people	Shareholder Certificates ID copies of shareholders B-BBEE Certificate	
30% Black Woman Owned Suppliers. (Section 2(1)(d)(i) of the PPPFA)	An entity with at least 30% black woman ownership, which confers both voting rights and economic interest to black people	CSD Report CIPC Documents Shareholder Certificates ID copies of shareholders B-BBEE Certificate	10,00

8.4.1 The Bidder must indicate how they claim points for specific for each preference point system in the provided **SBD 6.1**.

9 Verification of Specific Goals

9.1 Tenderers must also provide valid proof to substantiate any claims made in support of these goals to qualify for the allocated points. The following information is required for bidders to qualify for specific claimed:

9.2 Bidders must submit:

9.2.1 CSD Report

9.2.2 CIPC documents

9.2.3 Shareholder certificates

9.2.4 ID copies of shareholders

10 ATNS Specific Goals

10.1 ATNS evaluates bids based on **Preferential Procurement Regulations, 2022**.

10.2 Suppliers are required to **claim points** for specific goals in **SBD 6.1**.

SECTION C: RFQ CONDITIONS AND INSTRUCTIONS TO BID

11 Disclaimer

11.1 The Bidder shall bear all costs incurred in connection with the preparation and submission of their Bid Response and for finalisation of the contract and the attachments thereof. ATNS will in no case be responsible for payment to the Bidder for these costs.

11.2 The Company reserves the right to reject any or all Bids, to undertake discussions with one or more Bidders, and to accept that Bid or modified Bid which in its sole judgment, will be most advantageous to the Company, price and other evaluation factors having been considered.

12 Contract Terms

12.1 Whilst ATNS have taken every reasonable step to ensure the accuracy of this brief, the Company accepts no liability in relation to the accuracy of any representations made. Bidders should accept that their tender response is on the basis and reliance of its own judgment and information. ATNS reserves the right to vary the scope and terms as described in this document. If any variation does take place tenderer will be advised as soon as possible in writing.

12.2 The successful tenderer will be engaged subject to acceptance of a contract containing the standard Terms and Conditions as given. The contract contains standard clauses including a retention clause for non-satisfactory completion, breach of contract and confidentiality clauses and a requirement for the tenderer to have adequate professional indemnity insurance. All Tenderers must bear in mind that if circumstances dictate, ATNS reserves its right to withdraw from any commitments that will be entered into within this statement of work.

12.3 All designs and documentation submitted by the tenderer will be treated as confidential.

12.4 ATNS reserves the right to reject, withdraw or cancel any or all Proposals/Tenders, to undertake discussions with one or more Tenderers and to accept that tender or modified tender which in its sole judgment, will be most advantageous to the Company, price and other evaluation factors having been considered.

13 Cancellation of Procurement Process

13.1 This procurement process can be postponed or cancelled at any stage at the sole discretion of ATNS provided that such cancellation or postponement takes place prior to entering a contract with a specific service provider to which the bid relates.

14 Bid Submission Conditions, Instruction and Evaluation Process/Criteria

14.1 The Bid submission conditions and instructions as well as the evaluation process/criteria have been noted. Non-compliance to any of these will result in a bid being rejected.

15 Negotiation and Contracting

15.1 ATNS have the right to enter negotiation with one or more Bidders regarding any terms and conditions, including price(s), of a proposed contract.

15.2 Under no circumstances will negotiation with any Bidders, including preferred Bidders, constitute an award or promise/ undertaking to award the contract.

15.3 ATNS shall not be obliged to accept the lowest or any bid, offer or proposal.

15.4 A contract will only be deemed to be concluded when reduced to writing in a formal contract and Service Level Agreement (if applicable) signed by the designated responsible person of both parties.

15.5 ATNS also reserves the right to enter one contract with a Bidder for all required functions or into more than one contract with different Bidders for different functions.

16 Reasons for Rejection

16.1 ATNS shall reject a proposal for the award of a contract if the recommended Bidder has committed a proven corrupt or fraudulent act in competing for the particular contract.

16.2 ATNS may disregard the bid of any bidder if that bidder, or any of its directors:

16.2.1 Have abused the SCM system of the ATNS.

16.2.2 Have committed proven fraud or any other improper conduct in relation to such system.

16.2.3 Have failed to perform on any previous contract and the proof exists.

16.2.4 Such actions shall be communicated to the National Treasury.

17 General Conditions of Contract

17.1 The General Conditions of Contract must be accepted.

18 Additional Information Requirements

18.1 During evaluation of the bids, additional information may be requested in writing from Bidders. Replies to such request must be submitted, within 7 working days or as otherwise indicated. Failure to comply, may lead to your bid being disregarded.

18.2 No additional information will be accepted from any individual Bidder without such information having been requested.

19 Confidentiality

19.1 The bid and all information in connection therewith shall be held in strict confidence by Bidders and usage of such information shall be limited to the preparation of the bid. Bidders shall undertake to limit the number of copies of this document.

20 Intellectual Property, Inventions and Copyright

20.1 Copyright of all documentation relating to this contract belongs to the client. The successful Bidder may not disclose any information, documentation, or products to other clients without the written approval of the accounting authority or the delegate.

20.2 This paragraph shall survive termination of this contract.

21 Non-Compliance with Delivery Terms

21.1 As soon as it becomes known to the contractor that he/she will not be able to deliver the services within the delivery period and/or against the quoted price and/or as specified, ATNS must be given immediate written notice to this effect. ATNS reserves the right to implement remedies as provided for in the GCC.

22 Warrants

22.1 The bidder warrants that it can conclude this Agreement to the satisfaction of ATNS.

23 Parties not affected by waiver or breaches

23.1 The waiver (whether express or implied) by any Party of any breach of the terms or conditions of this contract by the other Party shall not prejudice any remedy of the waiving party in respect of any continuing or other breach of the terms and conditions hereof.

23.2 No favour, delay, relaxation or indulgence on the part of any Party in exercising any power or right conferred on such Party in terms of this contract shall operate as a waiver of such power or right nor shall any single or partial exercise of any such power or right under this agreement.

24 Retention

24.1 On termination of this agreement, the bidder shall, on demand hand over all documentation provided as part of the project and all deliverables, etc., without the right of retention, to ATNS.

24.2 No agreement to amend or vary a contract or order or the conditions, stipulations or provisions thereof shall be valid and of any force and effect unless such agreement to amend or vary is entered into in writing and signed by the contracting parties. Any

waiver of the requirement that the agreement to amend or vary shall be in writing, shall also be in writing.

25 Central Supplier Database

25.1 It is a requirement that all suppliers/ services providers to ATNS shall be registered on the National Treasury Central Supplier Database (CSD).

25.2 Bidders are therefore required to register as a supplier on the CSD before submitting a bid. The CSD website can be accessed on the following link:
<http://ocpo.treasury.gov.za/Pages/default.aspx>

25.3 Bidders are therefore required to submit proof of their registration on the CSD, or if not yet registered, provide proof of their application to be registered, with their bid.

25.4 No bid will be awarded, and a contract concluded with a bidder who is not registered on the CSD.

26 Format of Bids

26.1 Bidders must complete all the necessary bid documents and undertakings required in this bid document. Bidders are advised that their proposal should be concise, written in plain English and simply presented.

26.2 If applicable, Bidders are to set out their proposal in the format prescribed hereunder. This means that the proposal must be structured in the parts noted below. Information not submitted in the relevant part, may not be considered for evaluation purposes.

27 SARS Tax Clearance Certificate(S)

27.1 Bidder must ensure compliance with their tax obligations.

27.2 Bidders are required to submit their unique personal identification number (PIN) issued by SARS to enable the organ of state to view the taxpayer's profile and tax status.

27.3 Application for tax compliance status (TCS) or PIN may also be made via e-filing. To use this provision, taxpayers will need to register with SARS as e-filers through the website www.sars.gov.za

27.4 Bidders may also submit a printed TCS together with the bid.

27.5 In bids where consortia/ joint ventures/ sub-contractors are involved; each party must submit a separate proof of TCS/ PIN/ CSD number.

27.6 Where no TCS is available, but the bidder is registered on the Central Supplier Database (CSD), a CSD number must be provided.

27.7 Bids submitted without any one of the above, will be deemed to be non-responsive.

28 Declaration of Interest

28.1 Each party to the bid must complete and return the "Declaration of Interest".

28.2 Bids submitted without a complete and signed Declaration of Interest will be deemed to be non-responsive.

29 Invitation to Bid

29.1 Bidders must complete, sign and return the full "Invitation to Bid" document.

29.2 Bids submitted without a completed and signed Invitation to Bid will be deemed to be non-responsive.

30 Pricing Schedule

30.1 Any budget amount that may be indicated in this document shall be deemed to be a guide only and Bidders are expected to submit a costing that is fair and reasonable.

30.2 All costs related to this assignment are to be allowed for in the pricing schedule and in the formats prescribed and must be returned as part of the submission. Bids submitted without a price or with an incomplete price, will be deemed to be non-responsive.

30.3 A pricing schedule with one of the specified elements (fees and reimbursable costs) omitted from the costing, may be considered non-responsive.

31 Registration On the CSD

31.1 In this part, bidders must submit proof of their registration, or proof that they have applied for registration on the Central Supplier Database. Bids submitted without the required proof, will be deemed to be non-responsive.

32 Registration Certificates and Accreditation with OEMS Or Professional Bodies

32.1 Registration with professional bodies. Bids submitted without proof will be deemed to be non-responsive.

33 Fraud Prevention and Whistleblowing

33.1 ATNS is committed to the highest standards of ethical conduct and integrity. All bidders, suppliers, and stakeholders are encouraged to report any suspected fraud, corruption, or unethical conduct related to this procurement process.

33.2 Reports may be made confidentially and anonymously through the ATNS Fraud Hotline:

33.2.1 Fraud Hotline: 0800 222 335 (Freecall number available 24hrs)

33.2.2 Email: ATNS@tip-offs.com

33.2.3 Deloitte Tip-offs website www.tip-offs.com

33.3 All allegations will be treated with strict confidentiality and investigated in line with ATNS policies and applicable legislation.

SECTION D: STANDARD BIDDING DOCUMENTS

34 SBD 1 - Invitation to Bid (PART A)

You Are Hereby Invited to Bid for Requirements of the Air Traffic and Navigation Services SOC Limited (ATNS)					
BID NUMBER:	ATNS/RFQ/02/2026/22/FAGG_Radar Motor Tools.Re-advert	CLOSING DATE:	24 July 2026	CLOSING TIME:	11h00
DESCRIPTION	APPOINTMENT OF A SERVICE PROVIDER FOR THE SUPPLY AND DELIVERY OF RADAR TOOLS AT GEORGE AIRPORT (FAGG)				
BID RESPONSE DOCUMENTS MAY BE SENT TO: E-SUBMISSION (E-TENDER) SYSTEM					
BIDDING PROCEDURE ENQUIRIES MAY BE DIRECTED TO			TECHNICAL ENQUIRIES MAY BE DIRECTED TO:		
CONTACT PERSON	Mandisa Mako		CONTACT PERSON		
TELEPHONE NUMBER	+27 11 607 1000		TELEPHONE NUMBER		
FACSIMILE NUMBER	N/A		FACSIMILE NUMBER		
E-MAIL ADDRESS	MandisaM@atns.co.za		E-MAIL ADDRESS		
SUPPLIER INFORMATION					
NAME OF BIDDER					
POSTAL ADDRESS					
STREET ADDRESS					
TELEPHONE NUMBER	CODE		NUMBER		
CELL PHONE NUMBER					
FACSIMILE NUMBER	CODE		NUMBER		
E-MAIL ADDRESS					
VAT REGISTRATION NUMBER					
SUPPLIER COMPLIANCE STATUS	TAX COMPLIANCE SYSTEM PIN:		OR	CENTRAL SUPPLIER DATABASE No:	MAAA
B-BBEE STATUS LEVEL VERIFICATION CERTIFICATE	TICK APPLICABLE BOX] <input type="checkbox"/> Yes <input type="checkbox"/> No		B-BBEE STATUS LEVEL SWORN AFFIDAVIT		[TICK APPLICABLE BOX] <input type="checkbox"/> Yes <input type="checkbox"/> No
[A B-BBEE STATUS LEVEL VERIFICATION CERTIFICATE/ SWORN AFFIDAVIT (FOR EMES & QSEs) MUST BE SUBMITTED IN ORDER TO QUALIFY FOR PREFERENCE POINTS FOR B-BBEE]					
ARE YOU THE ACCREDITED REPRESENTATIVE IN SOUTH AFRICA FOR THE GOODS /SERVICES /WORKS OFFERED?	<input type="checkbox"/> Yes <input type="checkbox"/> No [IF YES ENCLOSE PROOF]		ARE YOU A FOREIGN BASED SUPPLIER FOR THE GOODS /SERVICES /WORKS OFFERED?		<input type="checkbox"/> Yes <input type="checkbox"/> No [IF YES, ANSWER THE QUESTIONNAIRE BELOW]
QUESTIONNAIRE TO BIDDING FOREIGN SUPPLIERS					
IS THE ENTITY A RESIDENT OF THE REPUBLIC OF SOUTH AFRICA (RSA)?				<input type="checkbox"/> YES	<input type="checkbox"/> NO
DOES THE ENTITY HAVE A BRANCH IN THE RSA?				<input type="checkbox"/> YES	<input type="checkbox"/> NO
DOES THE ENTITY HAVE A PERMANENT ESTABLISHMENT IN THE RSA?				<input type="checkbox"/> YES	<input type="checkbox"/> NO
DOES THE ENTITY HAVE ANY SOURCE OF INCOME IN THE RSA?				<input type="checkbox"/> YES	<input type="checkbox"/> NO

IS THE ENTITY LIABLE IN THE RSA FOR ANY FORM OF TAXATION? YES NO
IF THE ANSWER IS “NO” TO ALL OF THE ABOVE, THEN IT IS NOT A REQUIREMENT TO REGISTER FOR A TAX COMPLIANCE STATUS SYSTEM PIN CODE FROM THE SOUTH AFRICAN REVENUE SERVICE (SARS) AND IF NOT REGISTER AS PER 2.3 BELOW.

35 SBD 1 – Terms and Conditions for Bidding (PART B)

1. BID SUBMISSION:
<p>1.1. BIDS MUST BE DELIVERED BY THE STIPULATED TIME TO THE CORRECT ADDRESS. LATE BIDS WILL NOT BE ACCEPTED FOR CONSIDERATION.</p> <p>1.2. ALL BIDS MUST BE SUBMITTED ON THE OFFICIAL FORMS PROVIDED–(NOT TO BE RE-TYPED) OR IN THE MANNER PRESCRIBED IN THE BID DOCUMENT.</p> <p>1.3. THIS BID IS SUBJECT TO THE PREFERENTIAL PROCUREMENT POLICY FRAMEWORK ACT, 2000 AND THE PREFERENTIAL PROCUREMENT REGULATIONS, 2022, THE GENERAL CONDITIONS OF CONTRACT (GCC) AND, IF APPLICABLE, ANY OTHER SPECIAL CONDITIONS OF CONTRACT.</p> <p>1.4. THE SUCCESSFUL BIDDER WILL BE REQUIRED TO FILL IN AND SIGN A WRITTEN CONTRACT FORM</p>
2. TAX COMPLIANCE REQUIREMENTS
<p>2.1 BIDDERS MUST ENSURE COMPLIANCE WITH THEIR TAX OBLIGATIONS.</p> <p>2.2 BIDDERS ARE REQUIRED TO SUBMIT THEIR UNIQUE PERSONAL IDENTIFICATION NUMBER (PIN) ISSUED BY SARS TO ENABLE THE ORGAN OF STATE TO VERIFY THE TAXPAYER’S PROFILE AND TAX STATUS.</p> <p>2.3 APPLICATION FOR TAX COMPLIANCE STATUS (TCS) PIN MAY BE MADE VIA E-FILING THROUGH THE SARS WEBSITE WWW.SARS.GOV.ZA.</p> <p>2.4 BIDDERS MAY ALSO SUBMIT A PRINTED TCS CERTIFICATE TOGETHER WITH THE BID.</p> <p>2.5 IN BIDS WHERE CONSORTIA / JOINT VENTURES / SUB-CONTRACTORS ARE INVOLVED, EACH PARTY MUST SUBMIT A SEPARATE TCS CERTIFICATE / PIN / CSD NUMBER.</p> <p>2.6 WHERE NO TCS PIN IS AVAILABLE BUT THE BIDDER IS REGISTERED ON THE CENTRAL SUPPLIER DATABASE (CSD), A CSD NUMBER MUST BE PROVIDED.</p> <p>2.7 NO BIDS WILL BE CONSIDERED FROM PERSONS IN THE SERVICE OF THE STATE, COMPANIES WITH DIRECTORS WHO ARE PERSONS IN THE SERVICE OF THE STATE, OR CLOSE CORPORATIONS WITH MEMBERS PERSONS IN THE SERVICE OF THE STATE.”</p>

NB: FAILURE TO PROVIDE / OR COMPLY WITH ANY OF THE ABOVE PARTICULARS MAY RENDER THE BID INVALID.

SIGNATURE OF BIDDER:

CAPACITY UNDER WHICH THIS BID IS SIGNED:
 (Proof of authority must be submitted e.g. company resolution)

DATE:

36 SBD 3.1 – Pricing Schedule (Purchases)

NAME OF BIDDER:

BID NO.: ATNS/RFQ/02/2026/22/FAGG_Radar Motor Tools _RE-ADVERT

CLOSING TIME 11:00

CLOSING DATE: 24 July 2026

OFFER TO BE VALID FOR 60 DAYS FROM THE CLOSING DATE OF BID.

ITEM NO.	QUANTITY	DESCRIPTION	BID PRICE IN RSA CURRENCY ** (ALL APPLICABLE TAXES INCLUDED)
----------	----------	-------------	---

No	Item (Services)	QTY	Unit Price	Total Price
1	Lever-operated wire-rope pulling & lifting machine	6	R	R
2	Portable electric wire rope hoists with unlimited wire rope length	6	R	R
3	Gate motor wheels	6 sets	R	R
4	Lifting eye bolt	20	R	R
5	D shackle 10mm	12	R	R
6	Bolts M12 x40mm HighTensile	16	R	R
7	Square washer	20	R	R
8	Lifting chain	10	R	R
9	Combination spanner 30mm	6	R	R
10	Combination spanner 32mm	6	R	R
11	Water Pump Pliers 300mm	6	R	R
12	Steel toolbox	3	R	R
			Sub-Total	R
			VAT @15%	R
			Grand Total	R

NOTE: The entire pricing schedule must be fully completed (100%) i.e. ALL line items MUST be completed/priced. Failure to comply with this instruction will result in the bid being non-responsive.

- Required by:
- At:
.....
- Brand and model
- Country of origin
- Does the offer comply with the specification(s)? *YES/NO
- If not to specification, indicate deviation(s)
- Period required for delivery
*Delivery: Firm/not firm
- Delivery basis

Note: All delivery costs must be included in the bid price, for delivery at the prescribed destination.

** "all applicable taxes" includes value- added tax, pay as you earn, income tax, unemployment insurance fund contributions and skills development levies.

37 SBD 4 – Bidder’s Disclosure

1. PURPOSE OF THE FORM

Any person (natural or juristic) may make an offer or offers in terms of this invitation to bid. In line with the principles of transparency, accountability, impartiality, and ethics as enshrined in the Constitution of the Republic of South Africa and further expressed in various pieces of legislation, it is required for the bidder to make this declaration in respect of the details required hereunder.

Where a person/s are listed in the Register for Tender Defaulters and / or the List of Restricted Suppliers, that person will automatically be disqualified from the bid process.

2. Bidder’s declaration

2.1 Is the bidder, or any of its directors / trustees / shareholders / members / partners or any person having a controlling interest³ in the enterprise, employed by the state? **YES/NO**

2.1.1 If so, furnish particulars of the names, individual identity numbers, and, if applicable, state employee numbers of sole proprietor/ directors / trustees / shareholders / members/ partners or any person having a controlling interest in the enterprise, in table below.

Full Name	Identity Number	Name of institution	State

³ the power, by one person or a group of persons holding the majority of the equity of an enterprise, alternatively, the person/s having the deciding vote or power to influence or to direct the course and decisions of the enterprise.



2.2 Do you, or any person connected with the bidder, have a relationship with any person who is employed by the procuring institution? **YES/NO**

2.2.1 If so, furnish particulars:

.....
.....

2.3 Does the bidder or any of its directors / trustees / shareholders / members / partners or any person having a controlling interest in the enterprise have any interest in any other related enterprise whether or not they are bidding for this contract?

YES/NO

2.3.1 If so, furnish particulars:

.....
.....

3. DECLARATION

I, the undersigned, (name)..... in submitting the accompanying bid, do hereby make the following statements that I certify to be true and complete in every respect:

3.1 I have read and I understand the contents of this disclosure;

3.2 I understand that the accompanying bid will be disqualified if this disclosure is found not to be true and complete in every respect;

3.3 The bidder has arrived at the accompanying bid independently from, and without consultation, communication, agreement or arrangement with any competitor. However, communication between partners in a joint venture or consortium⁴ will not be construed as collusive bidding.

3.4 In addition, there have been no consultations, communications, agreements or arrangements with any competitor regarding the quality, quantity, specifications, prices, including methods, factors or formulas used to calculate prices, market allocation, the intention or decision to submit or not to submit the bid, bidding with the intention not to win the bid and conditions or delivery particulars of the products or services to which this bid invitation relates.

3.4 The terms of the accompanying bid have not been, and will not be, disclosed by the

⁴ Joint venture or Consortium means an association of persons for the purpose of combining their expertise, property, capital, efforts, skill and knowledge in an activity for the execution of a contract.



bidder, directly or indirectly, to any competitor, prior to the date and time of the official bid opening or of the awarding of the contract.

3.5 There have been no consultations, communications, agreements or arrangements made by the bidder with any official of the procuring institution in relation to this procurement process prior to and during the bidding process except to provide clarification on the bid submitted where so required by the institution; and the bidder was not involved in the drafting of the specifications or terms of reference for this bid.

3.6 I am aware that, in addition and without prejudice to any other remedy provided to combat any restrictive practices related to bids and contracts, bids that are suspicious will be reported to the Competition Commission for investigation and possible imposition of administrative penalties in terms of section 59 of the Competition Act No 89 of 1998 and or may be reported to the National Prosecuting Authority (NPA) for criminal investigation and or may be restricted from conducting business with the public sector for a period not exceeding ten (10) years in terms of the Prevention and Combating of Corrupt Activities Act No 12 of 2004 or any other applicable legislation.

I CERTIFY THAT THE INFORMATION FURNISHED IN PARAGRAPHS 1, 2 and 3 ABOVE IS CORRECT.

I ACCEPT THAT THE STATE MAY REJECT THE BID OR ACT AGAINST ME IN TERMS OF PARAGRAPH 6 OF PFMA SCM INSTRUCTION 03 OF 2021/22 ON PREVENTING AND COMBATING ABUSE IN THE SUPPLY CHAIN MANAGEMENT SYSTEM SHOULD THIS DECLARATION PROVE TO BE FALSE.

.....
Signature

.....
Date

.....
Position

.....
Name of bidder



38 SBD 6.1 – Preferential Points Claim Form in Terms of the Preferential Procurement Regulations 2022

This preference form must form part of all tenders invited. It contains general information and serves as a claim form for preference points for specific goals.

NB: BEFORE COMPLETING THIS FORM, TENDERERS MUST STUDY THE GENERAL CONDITIONS, DEFINITIONS AND DIRECTIVES APPLICABLE IN RESPECT OF THE TENDER AND PREFERENTIAL PROCUREMENT REGULATIONS, 2022

1. GENERAL CONDITIONS

1.1 The following preference point systems are applicable to invitations to tender:

- the 80/20 system for requirements with a Rand value of up to R50 000 000 (all applicable taxes included); and
- the 90/10 system for requirements with a Rand value above R50 000 000 (all applicable taxes included).

1.2 To be completed by the organ of state

- a) The applicable preference point system for this tender is the 80/20 preference point system.
- b) The 80/20 preference point system will be applicable in this tender. The lowest/highest acceptable tender will be used to determine the accurate system once tenders are received.

1.3 Points for this tender (even in the case of a tender for income-generating contracts) shall be awarded for:

- (a) Price; and
- (b) Specific Goals.

1.4 To be completed by the organ of state:

The maximum points for this tender are allocated as follows:

	POINTS
PRICE	80
SPECIFIC GOALS	20
Total points for Price and SPECIFIC GOALS	100

1.5 Failure on the part of a tenderer to submit proof or documentation required in terms of this tender to claim points for specific goals with the tender, will be interpreted to

mean that preference points for specific goals are not claimed.

- 1.6 The organ of state reserves the right to require of a tenderer, either before a tender is adjudicated or at any time subsequently, to substantiate any claim in regard to preferences, in any manner required by the organ of state.

2. DEFINITIONS

- (a) **“tender”** means a written offer in the form determined by an organ of state in response to an invitation to provide goods or services through price quotations, competitive tendering process or any other method envisaged in legislation;
- (b) **“price”** means an amount of money tendered for goods or services, and includes all applicable taxes less all unconditional discounts;
- (c) **“rand value”** means the total estimated value of a contract in Rand, calculated at the time of bid invitation, and includes all applicable taxes;
- (d) **“tender for income-generating contracts”** means a written offer in the form determined by an organ of state in response to an invitation for the origination of income-generating contracts through any method envisaged in legislation that will result in a legal agreement between the organ of state and a third party that produces revenue for the organ of state, and includes, but is not limited to, leasing and disposal of assets and concession contracts, excluding direct sales and disposal of assets through public auctions; and
- (e) **“the Act”** means the Preferential Procurement Policy Framework Act, 2000 (Act No. 5 of 2000).

3. FORMULAE FOR PROCUREMENT OF GOODS AND SERVICES

3.1. POINTS AWARDED FOR PRICE

3.1.1 THE 80/20 OR 90/10 PREFERENCE POINT SYSTEMS

A maximum of 80 or 90 points is allocated for price on the following basis:

80/20

$$P_s = 80 \left(1 - \frac{P_t - P_{min}}{P_{min}} \right)$$

Where

P_s = Points scored for price of tender under consideration

P_t = Price of tender under consideration

P_{min} = Price of lowest acceptable tender

3.2. FORMULAE FOR DISPOSAL OR LEASING OF STATE ASSETS AND INCOME GENERATING PROCUREMENT



3.2.1. POINTS AWARDED FOR PRICE

A maximum of 80 or 90 points is allocated for price on the following basis:

80/20

$$P_s = 80 \left(1 + \frac{P_t - P_{max}}{P_{max}} \right)$$

Where

- P_s = Points scored for price of tender under consideration
- P_t = Price of tender under consideration
- P_{max} = Price of highest acceptable tender

4. POINTS AWARDED FOR SPECIFIC GOALS

- 4.1. In terms of Regulation 4(2); 5(2); 6(2) and 7(2) of the Preferential Procurement Regulations, preference points must be awarded for specific goals stated in the tender. For the purposes of this tender the tenderer will be allocated points based on the goals stated in table 1 below as may be supported by proof/ documentation stated in the conditions of this tender:
- 4.2. In cases where organs of state intend to use Regulation 3(2) of the Regulations, which states that, if it is unclear whether the 80/20 or 90/10 preference point system applies, an organ of state must, in the tender documents, stipulate in the case of—
 - (a) an invitation for tender for income-generating contracts, that either the 80/20 or 90/10 preference point system will apply and that the highest acceptable tender will be used to determine the applicable preference point system; or
 - (b) any other invitation for tender, that either the 80/20 or 90/10 preference point system will apply and that the lowest acceptable tender will be used to determine the applicable preference point system,then the organ of state must indicate the points allocated for specific goals for both the 90/10 and 80/20 preference point system.

Table 1: Specific goals for the tender and points claimed are indicated per the table below.

(Note to organs of state: Where either the 90/10 or 80/20 preference point system is applicable, corresponding points must also be indicated as such.)

Note to tenderers: The tenderer must indicate how they claim points for each preference point system.)

The specific goals allocated points in terms of this tender	Number of points allocated (80/20 system) (To be completed by the organ of state)	Number of points claimed (80/20 system) (To be completed by the tenderer)
51% Black Owned suppliers (Section 2(1)(d)(i) of the PPPFA)	10	
30% Black Woman Owned Suppliers. (Section 2(1)(d)(i) of the PPPFA)	10	

DECLARATION WITH REGARD TO COMPANY/FIRM

4.3. Name of company/firm.....

4.4. Company registration number:

4.5. TYPE OF COMPANY/ FIRM

- Partnership/Joint Venture / Consortium
 - One-person business/sole propriety
 - Close corporation
 - Public Company
 - Personal Liability Company
 - (Pty) Limited
 - Non-Profit Company
 - State Owned Company
- [TICK APPLICABLE BOX]

4.6. I, the undersigned, who is duly authorised to do so on behalf of the company/firm, certify that the points claimed, based on the specific goals as advised in the tender, qualifies the company/ firm for the preference(s) shown and I acknowledge that:

- i) The information furnished is true and correct;
- ii) The preference points claimed are in accordance with the General Conditions as indicated in paragraph 1 of this form;
- iii) In the event of a contract being awarded as a result of points claimed as shown in paragraphs 1.4 and 4.2, the contractor may be required to furnish documentary proof to the satisfaction of the organ of state that the claims are correct;
- iv) If the specific goals have been claimed or obtained on a fraudulent basis or any of the conditions of contract have not been fulfilled, the organ of state may, in addition to any other remedy it may have –



- (a) disqualify the person from the tendering process;
- (b) recover costs, losses or damages it has incurred or suffered as a result of that person's conduct;
- (c) cancel the contract and claim any damages which it has suffered as a result of having to make less favourable arrangements due to such cancellation;
- (d) recommend that the tenderer or contractor, its shareholders and directors, or only the shareholders and directors who acted on a fraudulent basis, be restricted from obtaining business from any organ of state for a period not exceeding 10 years, after the *audi alteram partem* (hear the other side) rule has been applied; and
- (e) forward the matter for criminal prosecution, if deemed necessary.

.....
SIGNATURE(S) OF TENDERER(S)

SURNAME AND NAME:

DATE:

ADDRESS:

.....

.....

.....

39 Protection of Personal Information (POPIA) Consent

- 39.1 The Service Provider shall ensure that its employees, representatives and officers, comply with the provisions of the Protection of Personal Information Act, 2013 (“**POPIA**”) and all other applicable data protection laws and, without limitation to the foregoing, shall ensure the security and confidentiality of all Personal Information processed by that Party is in accordance with POPIA and all other applicable data protection laws.
- 39.2 The Service Provider must only process personal information of the Company and third parties on behalf of the Company, with the Company’s knowledge or authorisation, treat such information which comes to their knowledge as confidential and must not disclose it unless required by law or in the course of the proper performance of the Service Provider’s duties. The Service Provider must comply with the responsible party’s obligations in clause section 19 of POPIA.
- 39.3 Where the Service Provider, its agents, subcontractors, officers, directors, shareholders, representatives, or employees has/have access to any Personal Information held by the Company for any reason in connection with this Agreement or is/are supplied with or otherwise provided with Personal Information by the Company or on behalf of the Company for any purpose, or are supplied with or otherwise provided with Personal Information relating to the Services, the Service Provider shall:
- 39.3.1 process such Personal Information only for purposes of performing its/their obligations under this Agreement and shall not otherwise modify, amend or alter the contents of such Personal Information or disclose or permit the disclosure of such Personal Information to any third party, unless specifically authorised to do so by the Company or as required by law or any regulatory authority, and shall take all such steps as may be necessary to protect and safeguard such Personal Information;
- 39.3.2 without prejudice to the generality of the foregoing, ensure that appropriate, reasonable technical and organisational measures shall be taken by it/them to prevent –



- 39.3.2.1 the unauthorised or unlawful processing of such Personal Information; and
 - 39.3.2.2 the accidental loss or destruction of, or damage to, such Personal Information; and
 - 39.3.2.3 promptly notify the Company when it becomes aware of any unauthorised, unlawful or dishonest conduct or activities, or any breach of the terms of this Agreement relating to Personal Information.
- 39.4 The Service Provider shall be liable for all claims, demands, actions, costs, expenses (including but not limited to reasonable legal costs and disbursements), fines, losses and damages arising from or incurred by reason of any wrongful processing of any Personal Information by the Service Provider (including its agents, subcontractors, officers, representatives or employees) for any breach of its obligations or warranties.
- 39.5 Both Parties will comply with their obligations under POPIA in relation to personal information for which they are the responsible party.
- 39.6 The Service Provider must notify the Company immediately where there are reasonable grounds to believe that personal information has been accessed or acquired by any unauthorised person (Data Breach) and must assist the Company, at its own cost: a) with any investigation or notice to the Regulator or data subjects that the Company may make in relation to a Data Breach; and b) in responding to any directions by the Regulator to publicise the Data Breach, including assisting the Company to make public announcements if required.
- 39.7 The Service Provider indemnifies the Company against any civil or criminal action or administrative fine or other penalty or loss as a result of the Service Provider's breach of this clause.
- 43.8. The Service Provider, by submitting its proposal/ quotation, consents to the use of his/her personal information contained therein and confirms that:
- 43.8.1. The information is voluntarily supplied, without undue influence from any party; and
 - 43.8.2. The information is necessary for the purposes of the engagement with ATNS.
- 43.9. The tenderer acknowledges that he /she is aware of his/her right to:
- 43.9.1. Access the information at any reasonable time for the purposes of rectification thereof.



43.9.2. Object to the processing of the information; Lodge a complaint with the Information Regulator.

.....
SIGNATURE(S) OF TENDERER(S)

SURNAME AND NAME:

DATE:

ADDRESS:
.....
.....

44. General Conditions of Contract

TABLE OF CLAUSES

1. Definitions
2. Application
3. General
4. Standards
5. Use of contract documents and information; inspection
6. Patent rights
7. Performance security
8. Inspections, tests and analysis
9. Packing
10. Delivery and documents
11. Insurance
12. Transportation
13. Incidental services
14. Spare parts
15. Warranty
16. Payment
17. Prices
18. Contract amendments
19. Assignment
20. Subcontracts
21. Delays in the supplier's performance
22. Penalties
23. Termination for default
24. Dumping and countervailing duties
25. Force Majeure
26. Termination for insolvency
27. Settlement of disputes
28. Limitation of liability
29. Governing language
30. Applicable law
31. Notices

- 32. Taxes and duties
- 33. National Industrial Participation Programme (NIPP)
- 34. Prohibition of restrictive practices

1. Definitions

The following terms shall be interpreted as indicated:

- 1.1. **“Closing time”** means the date and hour specified in the bidding documents for the receipt of bids.
- 1.2. **“Contract”** means the written agreement entered into between the purchaser and the supplier, as recorded in the contract form signed by the parties, including all attachments and appendices thereto and all documents incorporated by reference therein.
- 1.3. **“Contract price”** means the price payable to the supplier under the contract for the full and proper performance of his contractual obligations.
- 1.4. **“Corrupt practice”** means the offering, giving, receiving, or soliciting of any thing of value to influence the action of a public official in the procurement process or in contract execution.
- 1.5. **“Countervailing duties”** are imposed in cases where an enterprise abroad is subsidized by its government and encouraged to market its products internationally.
- 1.6. **“Country of origin”** means the place where the goods were mined, grown or produced or from which the services are supplied. Goods are produced when, through manufacturing, processing or substantial and major assembly of components, a commercially recognized new product results that is substantially different in basic characteristics or in purpose or utility from its components.
- 1.7. **“Day”** means calendar day.
- 1.8. **“Delivery”** means delivery in compliance of the conditions of the contract or order.
- 1.9. **“Delivery ex stock”** means immediate delivery directly from stock actually on hand.
- 1.10. **“Delivery into consignees store or to his site”** means delivered and unloaded in the specified store or depot or on the specified site in compliance with the conditions of the contract or order, the supplier bearing all risks and charges involved until the supplies are so delivered and a valid receipt is obtained.
- 1.11. **“Dumping”** occurs when a private enterprise abroad market its goods on own initiative in the RSA at lower prices than that of the country of origin and which have the potential to harm the local industries in the RSA.

- 1.12. **"Force majeure"** means an event beyond the control of the supplier and not involving the supplier's fault or negligence and not foreseeable. Such events may include, but is not restricted to, acts of the purchaser in its sovereign capacity, wars or revolutions, fires, floods, epidemics, quarantine restrictions and freight embargoes.
- 1.13. **"Fraudulent practice"** means a misrepresentation of facts in order to influence a procurement process or the execution of a contract to the detriment of any bidder, and includes collusive practice among bidders (prior to or after bid submission) designed to establish bid prices at artificial non-competitive levels and to deprive the bidder of the benefits of free and open competition.
- 1.14. **"GCC"** means the General Conditions of Contract.
- 1.15. **"Goods"** means all of the equipment, machinery, and/or other materials that the supplier is required to supply to the purchaser under the contract.
- 1.16. **"Imported content"** means that portion of the bidding price represented by the cost of components, parts or materials which have been or are still to be imported (whether by the supplier or his subcontractors) and which costs are inclusive of the costs abroad, plus freight and other direct importation costs such as landing costs, dock dues, import duty, sales duty or other similar tax or duty at the South African place of entry as well as transportation and handling charges to the factory in the Republic where the supplies covered by the bid will be manufactured.
- 1.17. **"Local content"** means that portion of the bidding price which is not included in the imported content provided that local manufacture does take place.
- 1.18. **"Manufacture"** means the production of products in a factory using labour, materials, components and machinery and includes other related value-adding activities.
- 1.19. **"Order"** means an official written order issued for the supply of goods or works or the rendering of a service.
- 1.20. **"Project site,"** where applicable, means the place indicated in bidding documents.
- 1.21. **"Purchaser"** means the organization purchasing the goods.
- 1.22. **"Republic"** means the Republic of South Africa.
- 1.23. **"SCC"** means the Special Conditions of Contract.
- 1.24. **"Services"** means those functional services ancillary to the supply of the goods, such as transportation and any other incidental services, such as installation, commissioning, provision of technical assistance, training, catering, gardening, security, maintenance and other such obligations of the supplier covered under the contract.
- 1.25. **"Written"** or "in writing" means handwritten in ink or any form of electronic or mechanical writing.

2. Application

- 2.1. These general conditions are applicable to all bids, contracts and orders including bids for functional and professional services, sales, hiring, letting and the granting or acquiring of rights, but excluding immovable property, unless otherwise indicated in the bidding documents.
- 2.2. Where applicable, special conditions of contract are also laid down to cover specific supplies, services or works.
- 2.3. Where such special conditions of contract are in conflict with these general conditions, the special conditions shall apply.

3. General

- 3.1. Unless otherwise indicated in the bidding documents, the purchaser shall not be liable for any expense incurred in the preparation and submission of a bid. Where applicable a non-refundable fee for documents may be charged.
- 3.2. With certain exceptions, invitations to bid are only published in the Government Tender Bulletin. The Government Tender Bulletin may be obtained directly from the Government Printer, Private Bag X85, Pretoria 0001, or accessed electronically from www.treasury.gov.za

4. Standards

- 4.1. The goods supplied shall conform to the standards mentioned in the bidding documents and specifications.

5. Use of contract documents and information; inspection.

- 5.1. The supplier shall not, without the purchaser's prior written consent, disclose the contract, or any provision thereof, or any specification, plan, drawing, pattern, sample, or information furnished by or on behalf of the purchaser in connection therewith, to any person other than a person employed by the supplier in the performance of the contract. Disclosure to any such employed person shall be made in confidence and shall extend only so far as may be necessary for purposes of such performance.
- 5.2. The supplier shall not, without the purchaser's prior written consent, make use of any document or information mentioned in GCC clause except for purposes of performing the contract.

- 5.3. Any document, other than the contract itself mentioned in GCC clause shall remain the property of the purchaser and shall be returned (all copies) to the purchaser on completion of the supplier's performance under the contract if so required by the purchaser.
- 5.4. The supplier shall permit the purchaser to inspect the supplier's records relating to the performance of the supplier and to have them audited by auditors appointed by the purchaser, if so required by the purchaser.

6. Patent rights

- 6.1. The supplier shall indemnify the purchaser against all third-party claims of infringement of patent, trademark, or industrial design rights arising from use of the goods or any part thereof by the purchaser.

7. Performance

- 7.1. Within thirty (30) days of receipt of the notification of contract award, security the successful bidder shall furnish to the purchaser the performance security of the amount specified in SCC.
- 7.2. The proceeds of the performance security shall be payable to the purchaser as compensation for any loss resulting from the supplier's failure to complete his obligations under the contract.
- 7.3. The performance security shall be denominated in the currency of the contract, or in a freely convertible currency acceptable to the purchaser and shall be in one of the following forms:
 - (a) a bank guarantee or an irrevocable letter of credit issued by a reputable bank located in the purchaser's country or abroad, acceptable to the purchaser, in the form provided in the bidding documents or another form acceptable to the purchaser; or
 - (b) a cashier's or certified cheque
- 7.4. The performance security will be discharged by the purchaser and returned to the supplier not later than thirty (30) days following the date of completion of the supplier's performance obligations under the contract, including any warranty obligations, unless otherwise specified in SCC.

8. Inspections, tests and analyses

- 8.1. All pre-bidding testing will be for the account of the bidder.
- 8.2. If it is a bid condition that supplies to be produced or services to be rendered should at any stage during production or execution or on completion be subject to inspection,



the premises of the bidder or contractor shall be open, at all reasonable hours, for inspection by a representative of the Department or an organization acting on behalf of the Department.

- 8.3. If there are no inspection requirements indicated in the bidding documents and no mention is made in the contract, but during the contract period it is decided that inspections shall be carried out, the purchaser shall itself make the necessary arrangements, including payment arrangements with the testing authority concerned.
- 8.4. If the inspections, tests and analyses referred to in clauses 8.2 and 8.3 show the supplies to be in accordance with the contract requirements, the cost of the inspections, tests and analyses shall be defrayed by the purchaser.
- 8.5. Where the supplies or services referred to in clauses 8.2 and 8.3 do not comply with the contract requirements, irrespective of whether such supplies or services are accepted or not, the cost in connection with these inspections, tests or analyses shall be defrayed by the supplier.
- 8.6. Supplies and services which are referred to in clauses 8.2 and 8.3 and which do not comply with the contract requirements may be rejected.
- 8.7. Any contract supplies may on or after delivery be inspected, tested or analyzed and may be rejected if found not to comply with the requirements of the contract. Such rejected supplies shall be held at the cost and risk of the supplier who shall, when called upon, remove them immediately at his own cost and forthwith substitute them with supplies which do comply with the requirements of the contract. Failing such removal the rejected supplies shall be returned at the suppliers cost and risk. Should the supplier fail to provide the substitute supplies forthwith, the purchaser may, without giving the supplier further opportunity to substitute the rejected supplies, purchase such supplies as may be necessary at the expense of the supplier.
- 8.8. The provisions of clauses 8.4 to 8.7 shall not prejudice the right of the purchaser to cancel the contract on account of a breach of the conditions thereof, or to act in terms of Clause 23 of GCC.

9. **Packing**

- 9.1. The supplier shall provide such packing of the goods as is required to prevent their damage or deterioration during transit to their final destination, as indicated in the contract. The packing shall be sufficient to withstand, without limitation, rough handling during transit and exposure to extreme temperatures, salt and precipitation during



transit, and open storage. Packing, case size and weights shall take into consideration, where appropriate, the remoteness of the goods' final destination and the absence of heavy handling facilities at all points in transit.

- 9.2. The packing, marking, and documentation within and outside the packages shall comply strictly with such special requirements as shall be expressly provided for in the contract, including additional requirements, if any, specified in SCC, and in any subsequent instructions ordered by the purchaser.

10. **Delivery and documents**

- 10.1. Delivery of the goods shall be made by the supplier in accordance with the terms specified in the contract. The details of shipping and/or other documents to be furnished by the supplier are specified in SCC.
- 10.2. Documents to be submitted by the supplier are specified in SCC.

11. **Insurance**

- 11.1 The goods supplied under the contract shall be fully insured in a freely convertible currency against loss or damage incidental to manufacture or acquisition, transportation, storage and delivery in the manner specified in the SCC.

12. **Transportation**

- 12.1. Should a price other than an all-inclusive delivered price be required, this shall be specified in the SCC.

13. **Incidental services**

- 13.1. The supplier may be required to provide any or all of the following services, including additional services, if any, specified in SCC:
 - (a) performance or supervision of on-site assembly and/or commissioning of the supplied goods;
 - (b) furnishing of tools required for assembly and/or maintenance of the supplied goods;
 - (c) furnishing of a detailed operations and maintenance manual for each appropriate unit of the supplied goods;
 - (d) performance or supervision or maintenance and/or repair of the supplied goods, for a period of time agreed by the parties, provided that this service shall not relieve the supplier of any warranty obligations under this contract; and training of the



purchaser's personnel, at the supplier's plant and/or on-site, in assembly, start-up, operation, maintenance, and/or repair of the supplied goods.

- 13.2. Prices charged by the supplier for incidental services, if not included in the contract price for the goods, shall be agreed upon in advance by the parties and shall not exceed the prevailing rates charged to other parties by the supplier for similar services.

14. **Spare parts**

- 14.1. As specified in SCC, the supplier may be required to provide any or all of the following materials, notifications, and information pertaining to spare parts manufactured or distributed by the supplier:

(a) such spare parts as the purchaser may elect to purchase from the supplier, provided that this election shall not relieve the supplier of any warranty obligations under the contract; and

(b) in the event of termination of production of the spare parts:

(i) Advance notification to the purchaser of the pending termination, in sufficient time to permit the purchaser to procure needed requirements; and

(ii) following such termination, furnishing at no cost to the purchaser, the blueprints, drawings, and specifications of the spare parts, if requested.

15. **Warranty**

- 15.1. The supplier warrants that the goods supplied under the contract are new, unused, of the most recent or current models, and that they incorporate all recent improvements in design and materials unless provided otherwise in the contract. The supplier further warrants that all goods supplied under this contract shall have no defect, arising from design, materials, or workmanship (except when the design and/or material is required by the purchaser's specifications) or from any act or omission of the supplier, that may develop under normal use of the supplied goods in the conditions prevailing in the country of final destination.

- 15.2. This warranty shall remain valid for twelve (12) months after the goods, or any portion thereof as the case may be, have been delivered to and accepted at the final destination indicated in the contract, or for eighteen (18) months after the date of shipment from the port or place of loading in the source country, whichever period concludes earlier, unless specified otherwise in SCC.

- 15.3. The purchaser shall promptly notify the supplier in writing of any claims arising under this warranty.



15.4. Upon receipt of such notice, the supplier shall, within the period specified in SCC and with all reasonable speed, repair or replace the defective goods or parts thereof, without costs to the purchaser.

15.5. If the supplier, having been notified, fails to remedy the defect(s) within the period specified in SCC, the purchaser may proceed to take such remedial action as may be necessary, at the supplier's risk and expense and without prejudice to any other rights which the purchaser may have against the supplier under the contract.

16. Payment

16.1. The method and conditions of payment to be made to the supplier under this contract shall be specified in SCC.

16.2. The supplier shall furnish the purchaser with an invoice accompanied by a copy of the delivery note and upon fulfillment of other obligations stipulated in the contract.

16.3. Payments shall be made promptly by the purchaser, but in no case later than thirty (30) days after submission of an invoice or claim by the supplier.

16.4. Payment will be made in Rand unless otherwise stipulated in SCC.

17. Prices

17.1. Prices charged by the supplier for goods delivered and services performed under the contract shall not vary from the prices quoted by the supplier in his bid, with the exception of any price adjustments authorized in SCC or in the purchaser's request for bid validity extension, as the case may be.

18. Contract amendments

18.1. No variation in or modification of the terms of the contract shall be made except by written amendment signed by the parties concerned.

19. Assignment

19.1. The supplier shall not assign, in whole or in part, its obligations to perform under the contract, except with the purchaser's prior written consent.

20. Subcontracts

20.1. The supplier shall notify the purchaser in writing of all subcontracts awarded under this contracts if not already specified in the bid. Such notification, in the original bid or later, shall not relieve the supplier from any liability or obligation under the contract.

21. Delays in the supplier's performance

- 21.1. Delivery of the goods and performance of services shall be made by the supplier in accordance with the time schedule prescribed by the purchaser in the contract.
- 21.2. If at any time during performance of the contract, the supplier or its subcontractor(s) should encounter conditions impeding timely delivery of the goods and performance of services, the supplier shall promptly notify the purchaser in writing of the fact of the delay, its likely duration and its cause(s). As soon as practicable after receipt of the supplier's notice, the purchaser shall evaluate the situation and may at his discretion extend the supplier's time for performance, with or without the imposition of penalties, in which case the extension shall be ratified by the parties by amendment of contract.
- 21.3. No provision in a contract shall be deemed to prohibit the obtaining of supplies or services from a national department, provincial department, or a local authority.
- 21.4. The right is reserved to procure outside of the contract small quantities or to have minor essential services executed if an emergency arises, the supplier's point of supply is not situated at or near the place where the supplies are required, or the supplier's services are not readily available.
- 21.5. Except as provided under GCC Clause 25, a delay by the supplier in the performance of its delivery obligations shall render the supplier liable to the imposition of penalties, pursuant to GCC Clause 22, unless an extension of time is agreed upon pursuant to GCC Clause 21.2 without the application of penalties.
- 21.6. Upon any delay beyond the delivery period in the case of a supplies contract, the purchaser shall, without canceling the contract, be entitled to purchase supplies of a similar quality and up to the same quantity in substitution of the goods not supplied in conformity with the contract and to return any goods delivered later at the supplier's expense and risk, or to cancel the contract and buy such goods as may be required to complete the contract and without prejudice to his other rights, be entitled to claim damages from the supplier.

22. Penalties

- 22.1. Subject to GCC Clause 25, if the supplier fails to deliver any or all of the goods or to perform the services within the period(s) specified in the contract, the purchaser shall, without prejudice to its other remedies under the contract, deduct from the contract price, as a penalty, a sum calculated on the delivered price of the delayed goods or unperformed services using the current prime interest rate calculated for each day of

the delay until actual delivery or performance. The purchaser may also consider termination of the contract pursuant to GCC Clause 23.

23. Termination for default

- 23.1. The purchaser, without prejudice to any other remedy for breach of contract, by written notice of default sent to the supplier, may terminate this contract in whole or in part:
- (a) if the supplier fails to deliver any or all of the goods within the period(s) specified in the contract, or within any extension thereof granted by the purchaser pursuant to GCC Clause 21.2;
 - (b) if the Supplier fails to perform any other obligation(s) under the contract; or
 - (c) if the supplier, in the judgment of the purchaser, has engaged in corrupt or fraudulent practices in competing for or in executing the contract.
- 23.2. In the event the purchaser terminates the contract in whole or in part, the purchaser may procure, upon such terms and in such manner as it deems appropriate, goods, works or services similar to those undelivered, and the supplier shall be liable to the purchaser for any excess costs for such similar goods, works or services. However, the supplier shall continue performance of the contract to the extent not terminated.
- 23.3. Where the purchaser terminates the contract in whole or in part, the purchaser may decide to impose a restriction penalty on the supplier by prohibiting such supplier from doing business with the public sector for a period not exceeding 10 years.
- 23.4. If a purchaser intends imposing a restriction on a supplier or any person associated with the supplier, the supplier will be allowed a time period of not more than fourteen (14) days to provide reasons why the envisaged restriction should not be imposed. Should the supplier fail to respond within the stipulated fourteen (14) days the purchaser may regard the intended penalty as not objected against and may impose it on the supplier.
- 23.5. Any restriction imposed on any person by the Accounting Officer / Authority will, at the discretion of the Accounting Officer / Authority, also be applicable to any other enterprise or any partner, manager, director or other person who wholly or partly exercises or exercised or may exercise control over the enterprise of the first-mentioned person, and with which enterprise or person the first-mentioned person, is or was in the opinion of the Accounting Officer / Authority actively associated.

23.6. If a restriction is imposed, the purchaser must, within five (5) working days of such imposition, furnish the National Treasury, with the following information:

- (i) the name and address of the supplier and / or person restricted by the purchaser;
- (ii) the date of commencement of the restriction
- (iii) the period of restriction; and
- (iv) the reasons for the restriction.

These details will be loaded in the National Treasury's central database of suppliers or persons prohibited from doing business with the public sector.

23.7. If a court of law convicts a person of an offence as contemplated in sections 12 or 13 of the Prevention and Combating of Corrupt Activities Act, No. 12 of 2004, the court may also rule that such person's name be endorsed on the Register for Tender Defaulters. When a person's name has been endorsed on the Register, the person will be prohibited from doing business with the public sector for a period not less than five years and not more than 10 years. The National Treasury is empowered to determine the period of restriction and each case will be dealt with on its own merits. According to section 32 of the Act the Register must be open to the public. The Register can be perused on the National Treasury website.

24. **Anti-dumping and countervailing duties and rights**

24.1. When, after the date of bid, provisional payments are required, or antidumping or countervailing duties are imposed, or the amount of a provisional payment or anti-dumping or countervailing right is increased in respect of any dumped or subsidized import, the State is not liable for any amount so required or imposed, or for the amount of any such increase. When, after the said date, such a **provisional** payment is no longer required or any such anti-dumping or countervailing right is abolished, or where the amount of such provisional payment or any such right is reduced, any such favourable difference shall on demand be paid forthwith by the contractor to the State or the State may deduct such amounts from moneys (if any) which may otherwise be due to the contractor in regard to supplies or services which he delivered or rendered, or is to deliver or render in terms of the contract or any other contract or any other amount which may be due to him

25. **Force Majeure**

25.1. Notwithstanding the provisions of GCC Clauses 22 and 23, the supplier shall not be liable for forfeiture of its performance security, damages, or termination for default if and to the extent that his delay in performance or other failure to perform his obligations under the contract is the result of an event of force majeure.

25.2. If a force majeure situation arises, the supplier shall promptly notify the purchaser in writing of such condition and the cause thereof. Unless otherwise directed by the purchaser in writing, the supplier shall continue to perform its obligations under the contract as far as is reasonably practical, and shall seek all reasonable alternative means for performance not prevented by the force majeure event.

26. **Termination for insolvency**

26.1. The purchaser may at any time terminate the contract by giving written notice to the supplier if the supplier becomes bankrupt or otherwise insolvent. In this event, termination will be without compensation to the supplier, provided that such termination will not prejudice or affect any right of action or remedy which has accrued or will accrue thereafter to the purchaser.

27. **Settlement of Disputes**

27.1. If any dispute or difference of any kind whatsoever arises between the purchaser and the supplier in connection with or arising out of the contract, the parties shall make every effort to resolve amicably such dispute or difference by mutual consultation.

27.2. If, after thirty (30) days, the parties have failed to resolve their dispute or difference by such mutual consultation, then either the purchaser or the supplier may give notice to the other party of his intention to commence with mediation. No mediation in respect of this matter may be commenced unless such notice is given to the other party.

27.3. Should it not be possible to settle a dispute by means of mediation, it may be settled in a South African court of law.

27.4. Mediation proceedings shall be conducted in accordance with the rules of procedure specified in the SCC.

27.5. Notwithstanding any reference to mediation and/or court proceedings herein,

(a) the parties shall continue to perform their respective obligations under the contract unless they otherwise agree; and

(b) the purchaser shall pay the supplier any monies due the supplier.

28. **Limitation of liability**

28.1. Except in cases of criminal negligence or willful misconduct, and in the case of infringement pursuant to Clause 6;

(a) the supplier shall not be liable to the purchaser, whether in contract, tort, or otherwise, for any indirect or consequential loss or damage, loss of use, loss of production, or loss of profits or interest costs, provided that this exclusion shall not apply to any obligation of the supplier to pay penalties and/or damages to the purchaser; and

(b) the aggregate liability of the supplier to the purchaser, whether under the contract, in tort or otherwise, shall not exceed the total contract price, provided that this limitation shall not apply to the cost of repairing or replacing defective equipment.

29. **Governing language**

29.1. The contract shall be written in English. All correspondence and other documents pertaining to the contract that is exchanged by the parties shall also be written in English.

30. **Applicable law**

30.1. The contract shall be interpreted in accordance with South African laws, unless otherwise specified in SCC.

31. **Notices**

31.1. Every written acceptance of a bid shall be posted to the supplier concerned by registered or certified mail and any other notice to him shall be posted by ordinary mail to the address furnished in his bid or to the address notified later by him in writing and such posting shall be deemed to be proper service of such notice

31.2. The time mentioned in the contract documents for performing any act after such aforesaid notice has been given, shall be reckoned from the date of posting of such notice.

32. **Taxes and duties**

32.1. A foreign supplier shall be entirely responsible for all taxes, stamp duties, license fees, and other such levies imposed outside the purchaser's country.

32.2. A local supplier shall be entirely responsible for all taxes, duties, license fees, etc., incurred until delivery of the contracted goods to the purchaser.

32.3. No contract shall be concluded with any bidder whose tax matters are not in order. Prior to the award of a bid the Department must be in possession of a tax clearance



certificate, submitted by the bidder. This certificate must be an original issued by the South African Revenue Services.

33. National Industrial Participation (NIP) Programme

33.1. The NIP Programme administered by the Department of Trade and Industry shall be applicable to all contracts that are subject to the NIP obligation.

34. Prohibition of Restrictive practices

34.1. In terms of section 4 (1) (b) (iii) of the Competition Act No. 89 of 1998, as amended, an agreement between, or concerted practice by, firms, or a decision by an association of firms, is prohibited if it is between parties in a horizontal relationship and if a bidder (s) is / are or a contractor(s) was / were involved in collusive bidding (or bid rigging).

34.2. If a bidder(s) or contractor(s), based on reasonable grounds or evidence obtained by the purchaser, has / have engaged in the restrictive practice referred to above, the purchaser may refer the matter to the Competition Commission for investigation and possible imposition of administrative penalties as contemplated in the Competition Act No. 89 of 1998.

34.3. If a bidder(s) or contractor(s), has / have been found guilty by the Competition Commission of the restrictive practice referred to above, the purchaser may, in addition and without prejudice to any other remedy provided for, invalidate the bid(s) for such item(s) offered, and / or terminate the contract in whole or part, and / or restrict the bidder(s) or contractor(s) from conducting business with the public sector for a period not exceeding ten (10) years and / or claim damages from the bidder(s) or contractor(s) concerned.

.....	
SIGNATURE(S) OF TENDERER(S)	
SURNAME AND NAME:
DATE:
ADDRESS:
