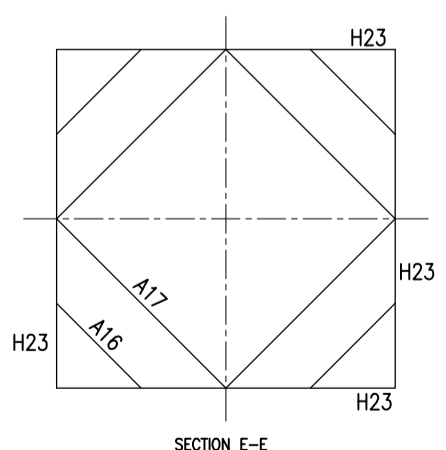
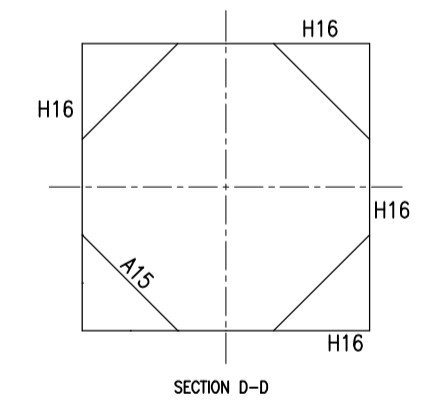
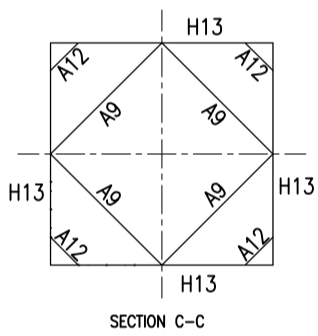
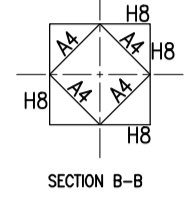
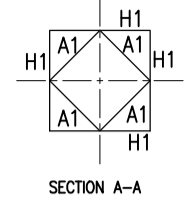
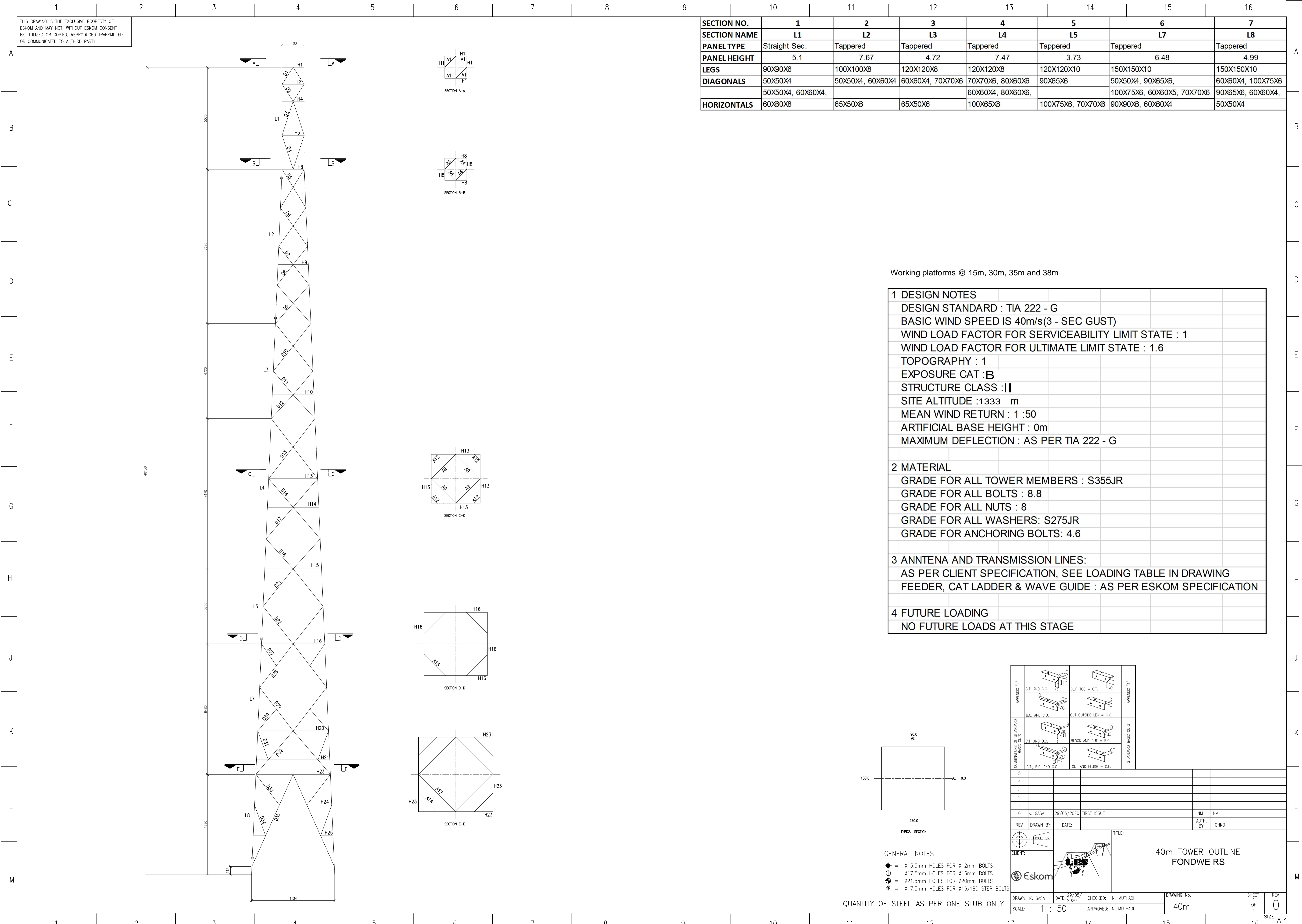


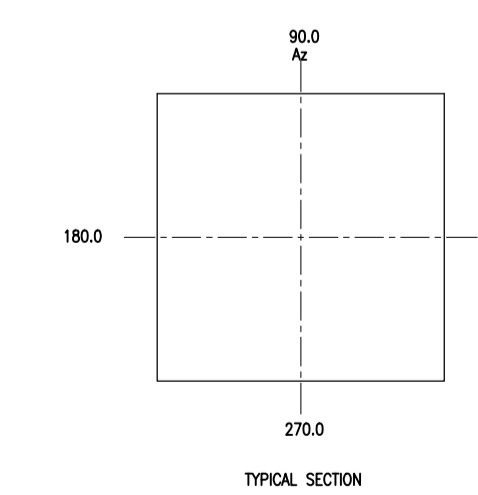
THIS DRAWING IS THE EXCLUSIVE PROPERTY OF ESKOM AND MAY NOT, WITHOUT ESKOM CONSENT BE UTILIZED OR COPIED, REPRODUCED TRANSMITTED OR COMMUNICATED TO A THIRD PARTY.

SECTION NO.	1	2	3	4	5	6	7
SECTION NAME	L1	L2	L3	L4	L5	L7	L8
PANEL TYPE	Straight Sec.	Tapered	Tapered	Tapered	Tapered	Tapered	Tapered
PANEL HEIGHT	5.1	7.67	4.72	7.47	3.73	6.48	4.99
LEGS	90X90X6	100X100X8	120X120X8	120X120X8	120X120X10	150X150X10	150X150X10
DIAGONALS	50X50X4	50X50X4, 60X60X4	60X60X4, 70X70X6	70X70X6, 80X60X6	90X65X6	50X50X4, 90X65X6,	60X60X4, 100X75X6
	50X50X4, 60X60X4,			60X60X4, 80X60X6,		100X75X6, 60X60X5, 70X70X6	90X65X6, 60X60X4,
HORIZONTALS	60X60X8	65X50X6	65X50X6	100X65X8	100X75X6, 70X70X6	90X90X6, 60X60X4	50X50X4



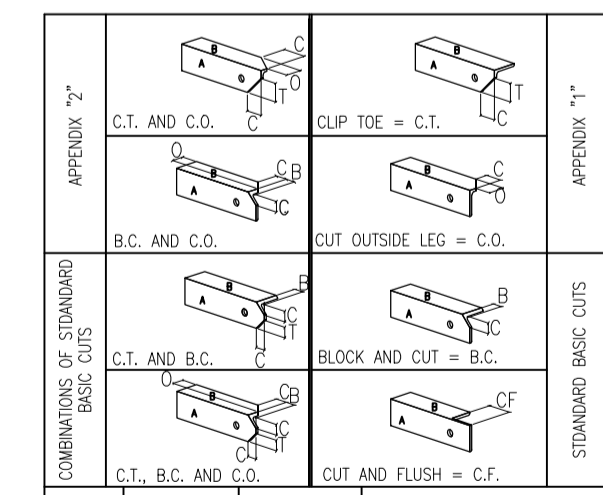
Working platforms @ 15m, 30m, 35m and 38m

<b>1 DESIGN NOTES</b>
DESIGN STANDARD : TIA 222 - G
BASIC WIND SPEED IS 40m/s(3 - SEC GUST)
WIND LOAD FACTOR FOR SERVICEABILITY LIMIT STATE : 1
WIND LOAD FACTOR FOR ULTIMATE LIMIT STATE : 1.6
TOPOGRAPHY : 1
EXPOSURE CAT : B
STRUCTURE CLASS : II
SITE ALTITUDE : 1333 m
MEAN WIND RETURN : 1 : 50
ARTIFICIAL BASE HEIGHT : 0m
MAXIMUM DEFLECTION : AS PER TIA 222 - G
<b>2 MATERIAL</b>
GRADE FOR ALL TOWER MEMBERS : S355JR
GRADE FOR ALL BOLTS : 8.8
GRADE FOR ALL NUTS : 8
GRADE FOR ALL WASHERS: S275JR
GRADE FOR ANCHORING BOLTS: 4.6
<b>3 ANNTENA AND TRANSMISSION LINES:</b>
AS PER CLIENT SPECIFICATION, SEE LOADING TABLE IN DRAWING
FEEDER, CAT LADDER & WAVE GUIDE : AS PER ESKOM SPECIFICATION
<b>4 FUTURE LOADING</b>
NO FUTURE LOADS AT THIS STAGE



- GENERAL NOTES:
- = ø13.5mm HOLES FOR ø12mm BOLTS
  - ⊕ = ø17.5mm HOLES FOR ø16mm BOLTS
  - ⊙ = ø21.5mm HOLES FOR ø20mm BOLTS
  - ⊗ = ø17.5mm HOLES FOR ø16x180 STEP BOLTS

QUANTITY OF STEEL AS PER ONE STUB ONLY



		<b>40m TOWER OUTLINE FONDWE RS</b>
DRAWN: K. GASA SCALE: 1 : 50	DATE: 29/05/2020 CHECKED: N. MUTHADI APPROVED: N. MUTHADI	DRAWING No. <b>40m</b>
SHEET 1 OF 1		REV 0