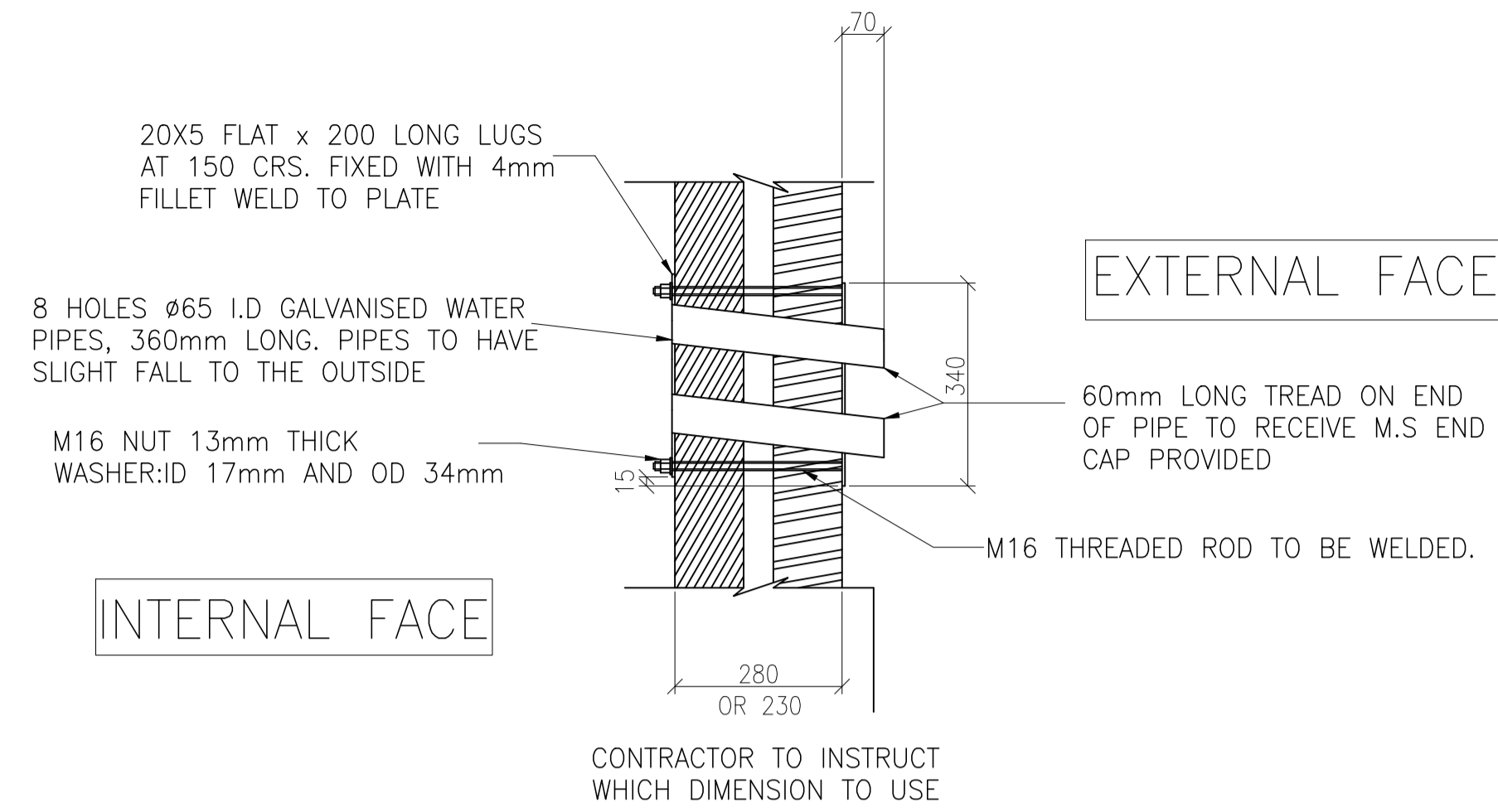
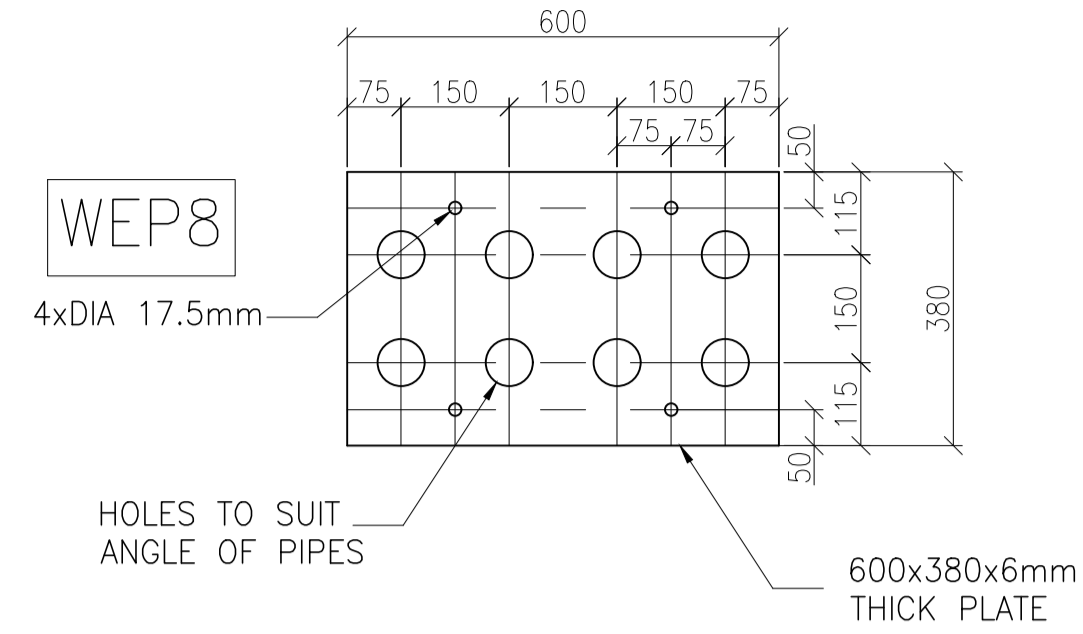


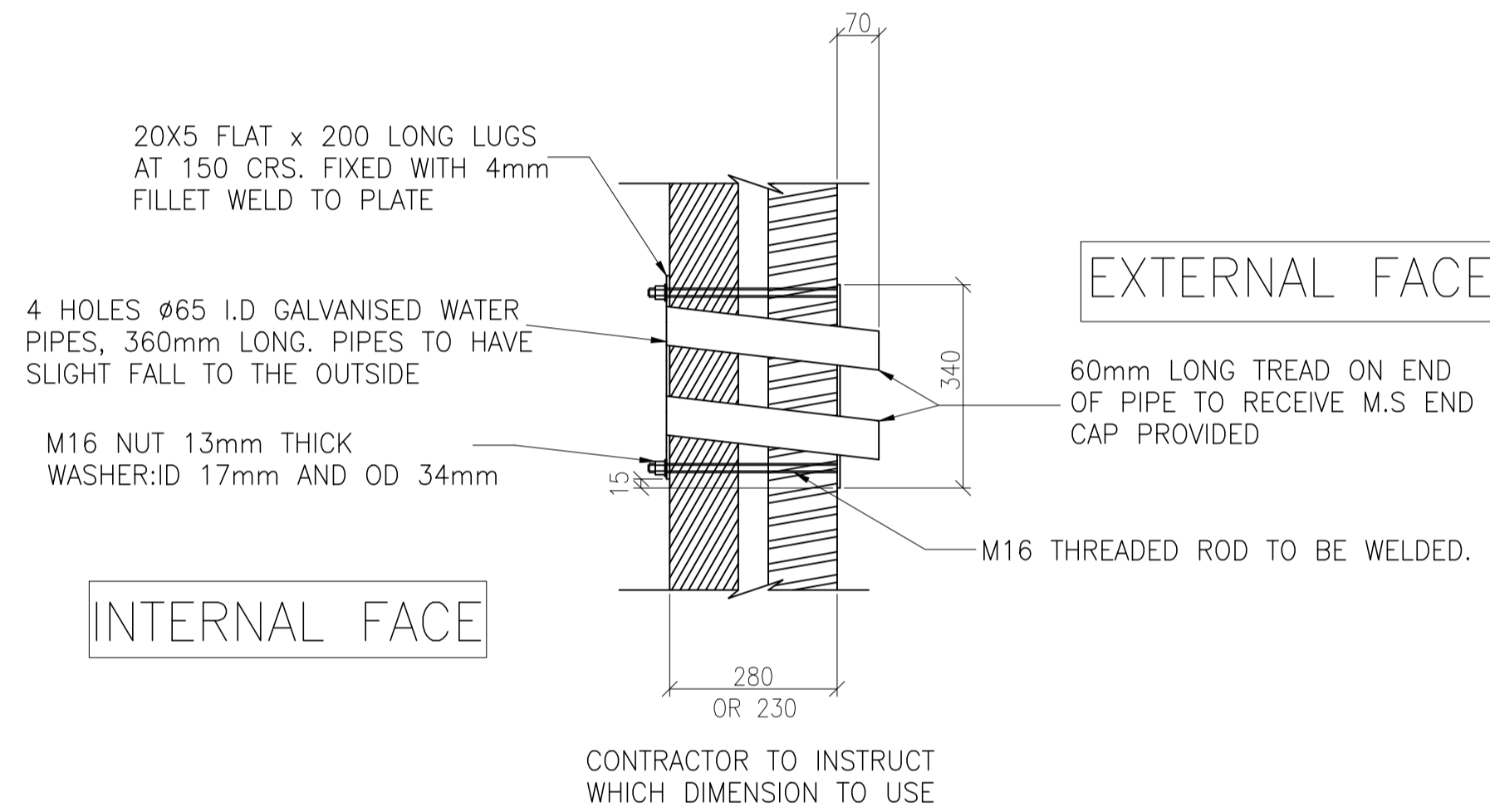
THIS DRAWING IS THE EXCLUSIVE PROPERTY OF
ESKOM AND MAY NOT, WITHOUT ESKOM CONSENT
BE UTILIZED OR COPIED, REPRODUCED TRANSMITTED
OR COMMUNICATED TO A THIRD PARTY.



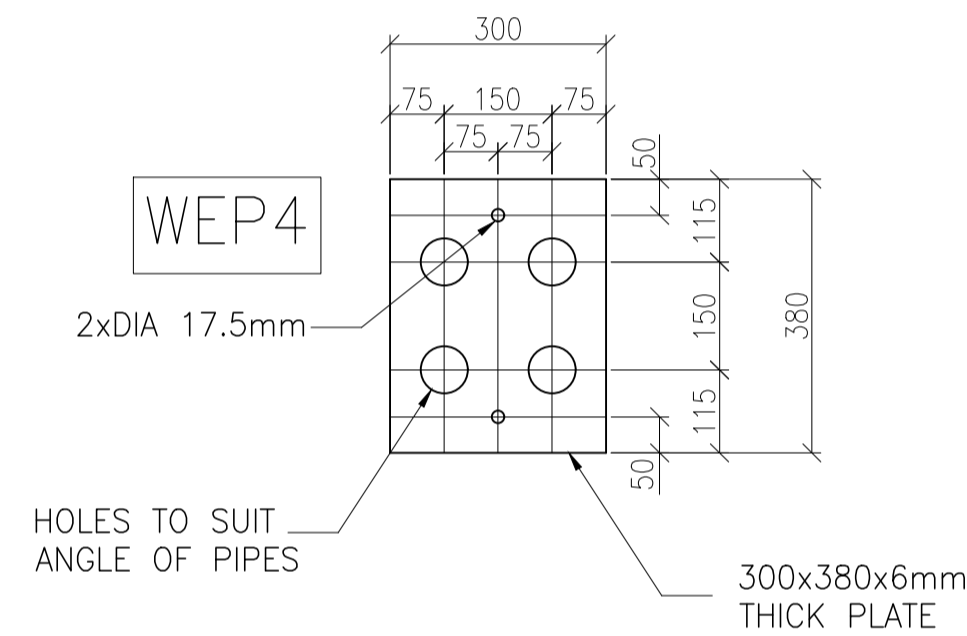
TYPICAL SECTION THOUGH
WAVE GUIDE ENTRY PIPES



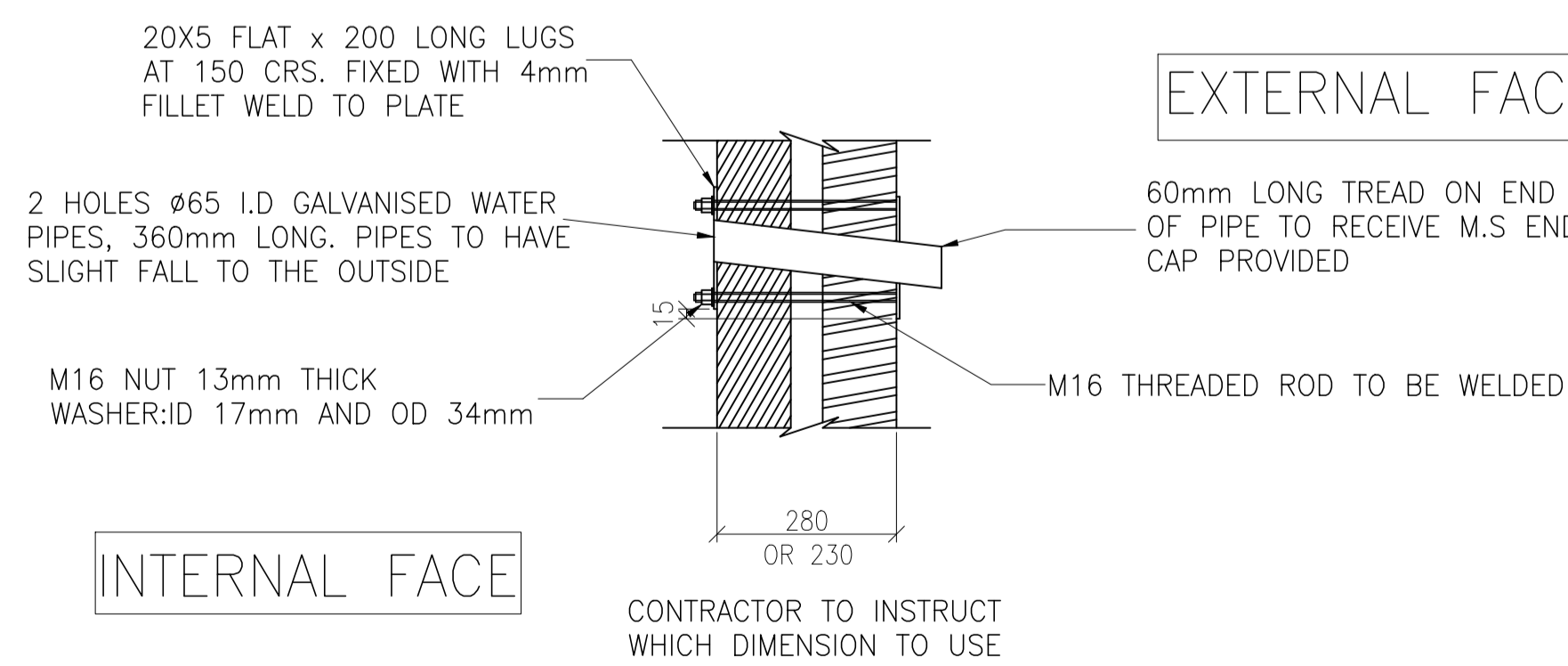
ELEVATION ON WAVE GUIDE ENTRY PIPES



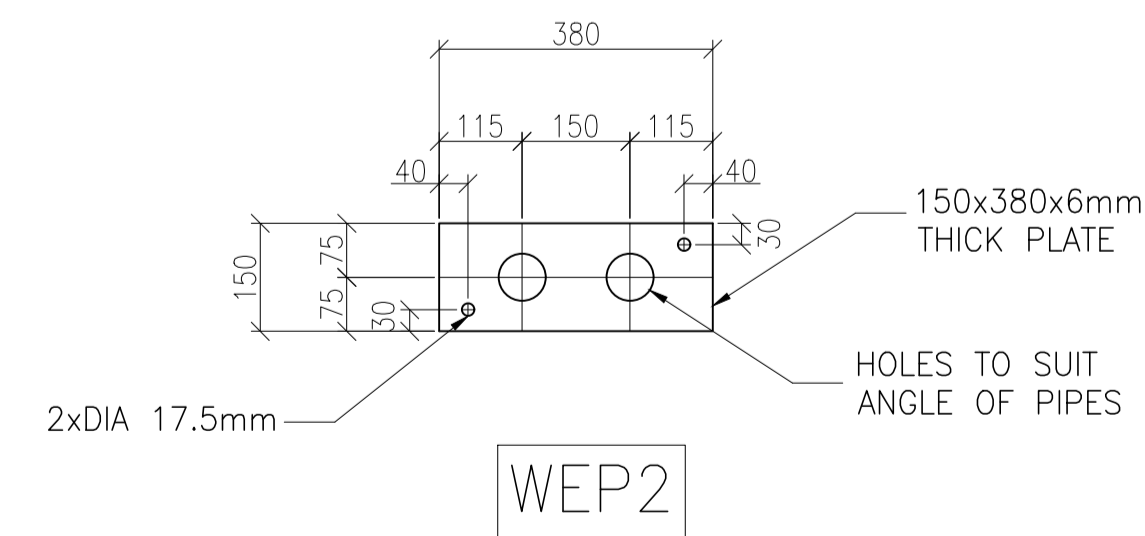
TYPICAL SECTION THOUGH
WAVE GUIDE ENTRY PIPES



ELEVATION ON WAVE GUIDE ENTRY PIPES



TYPICAL SECTION THOUGH
WAVE GUIDE ENTRY PIPES



ELEVATION ON WAVE GUIDE ENTRY PIPES

COMBINATIONS OF STANDARD BASIC CUTS	APPENDIX "2"	C.T. AND C.O.	CLIP TOE = C.T.	APPENDIX "1"
	B.C. AND C.O.	CUT OUTSIDE LEG = C.O.		
	C.T. AND B.C.	BLOCK AND CUT = B.C.		
	C.T., B.C. AND C.O.	CUT AND FLUSH = C.F.		

5					
4					
3					
2					
1	K. GASA	09/05/2023	ADDED PLATES WITH 2 & 4 PIPES	N.M	N.M
0			FIRST ISSUE		
REV	DRAWN BY:	DATE:		AUTH. BY	CHKD
CLIENT:			TITLE:		
Eskom			SUBSTATION STANDARD CONTROL BUILDING WAVE GUIDE ENTRY DETAILS		
DRAWN:	K. GASA	DATE:	09/05/2023	CHECKED:	N. MUTHADI
SCALE:	1 : 10	APPROVED:	N. MUTHADI	DRAWING No.	0.54/8732
				SHEET	1 OF 1
				REV	1