

## REQUEST FOR QUOTATIONS (RFQ)

GOODS	X	SERVICE	
-------	---	---------	--

DESCRIPTION:	Manufacture, supply and delivery of heavy-duty fabric part for large blind assembly		
RFQ NUMBER:	<b>NRF/SAAO/RFQ/117256</b>		
DATE ISSUED:	Tuesday, 02 June 2026		
BRIEFING SESSION:	SAAO, 2 Observatory Road, Observatory, Cape Town Date: Thursday, 04 June 2026 Time: 11:30 am Venue: Auditorium, South African Astronomical Observatory, Cape Town		
<b>CLOSING DATE AND TIME:</b>	<b>Thursday, 11 June 2026 at 16:00 pm</b>		
QUOTATIONS TO BE SUBMITTED TO:	scm@saa.ac.za		
PREFERENCE POINTS SYSTEM:	80/20		
<b>DELIVERY INFORMATION</b>			
LOCATION:	SAAO, 2 OBSERVATORY ROAD, OBSERVATORY		
LEAD TIME (purchase order date)	ASAP		
<b>Enquiries relating to bidding procedures may be directed to:</b>		<b>Technical enquiries may be directed to:</b>	
<b>Contact person:</b>	SCM	<b>Contact person:</b>	<b>H Worters</b>
<b>E- Mail address:</b>	scm@saa.ac.za	<b>E- Mail address:</b>	hannah @saa.ac.za

<b>Telephone No:</b>	021 201 1634	<b>Telephone No:</b>	021 447 0025
----------------------	--------------	----------------------	--------------

## SUPPLIER INFORMATION

<b>Name of Bidder Name:</b>																	
<b>Street Address:</b>																	
<b>Telephone Number</b>																	
Code		Number															
<b>Cell Phone Number</b>																	
Code		Number															
<b>Facsimile Number</b>																	
Code		Number															
<b>E-Mail Address</b>																	
<b>VAT Registration Number</b>																	
<b>Tax Compliance Status</b>	Tax Compliance System PIN		<b>OR</b>	Central Supplier Database No.	MAAA												
<b>B-BBEE Status Level Verification Certificate</b>	Tick Applicable Box. <input type="checkbox"/> Yes <input type="checkbox"/> No		<b>B-BBEE Status Level Sworn Affidavit</b>	Tick Applicable Box. <input type="checkbox"/> Yes <input type="checkbox"/> No													
<b>[A B-BBEE status level verification certificate/sworn affidavit (for EMEs &amp; QSEs) must be submitted in order to qualify for preference points for B-BBEE – also refer to the SBD 6.1]</b>																	
<b>Are you the accredited representative in South Africa for the goods/services/works offered?</b>		<input type="checkbox"/> Yes <input type="checkbox"/> No [If yes enclose proof]		<b>Are you a foreign-based supplier for the goods/services/works offered?</b>		<input type="checkbox"/> Yes <input type="checkbox"/> No [If yes, answer the questionnaire below]											
<table border="1"> <tr> <td>Is the entity a resident of the Republic of South Africa (RSA)?</td> <td><input type="checkbox"/> Yes <input type="checkbox"/> No</td> </tr> <tr> <td>Does the entity have a branch in the RSA?</td> <td><input type="checkbox"/> Yes <input type="checkbox"/> No</td> </tr> <tr> <td>Does the entity have a permanent establishment in the RSA?</td> <td><input type="checkbox"/> Yes <input type="checkbox"/> No</td> </tr> <tr> <td>Does the entity have any source of income in the RSA?</td> <td><input type="checkbox"/> Yes <input type="checkbox"/> No</td> </tr> <tr> <td>Is the entity liable in the RSA for any form of taxation?</td> <td><input type="checkbox"/> Yes <input type="checkbox"/> No</td> </tr> </table> <p>If the answer is "No" to all of the above, then it is not a requirement to register for a tax compliance status system pin code from the South African Revenue Service (SARS).</p>								Is the entity a resident of the Republic of South Africa (RSA)?	<input type="checkbox"/> Yes <input type="checkbox"/> No	Does the entity have a branch in the RSA?	<input type="checkbox"/> Yes <input type="checkbox"/> No	Does the entity have a permanent establishment in the RSA?	<input type="checkbox"/> Yes <input type="checkbox"/> No	Does the entity have any source of income in the RSA?	<input type="checkbox"/> Yes <input type="checkbox"/> No	Is the entity liable in the RSA for any form of taxation?	<input type="checkbox"/> Yes <input type="checkbox"/> No
Is the entity a resident of the Republic of South Africa (RSA)?	<input type="checkbox"/> Yes <input type="checkbox"/> No																
Does the entity have a branch in the RSA?	<input type="checkbox"/> Yes <input type="checkbox"/> No																
Does the entity have a permanent establishment in the RSA?	<input type="checkbox"/> Yes <input type="checkbox"/> No																
Does the entity have any source of income in the RSA?	<input type="checkbox"/> Yes <input type="checkbox"/> No																
Is the entity liable in the RSA for any form of taxation?	<input type="checkbox"/> Yes <input type="checkbox"/> No																

## **1. INTRODUCTION TO THE NRF**

The National Research Foundation (“NRF”) is a juristic person established in terms of the National Research Foundation Act, Act 23 of 1998, and a Schedule 3A Public Entity in terms of the Public Finance Management Act (PFMA). The NRF is the government’s national agency responsible for promoting and supporting research and human capital development through funding researchers, provision of the National Research Platforms, and science outreach platforms/programs to the broader community. The NRF provides these services in all fields of science and technology, including natural science, engineering, social science, and humanities.

The NRF is a schedule 3A entity under the PFMA (Act 29 of 1999), which is required to plan and report on its activities and organizational performance, and which is to be audited by the Auditor-General of South Africa (AGSA) on an annual basis. As part of the AGSA audit requirements, the NRF has to collect / document and store details, data and/or information of all persons and activities that form part of its performance record as proof thereof. In terms of this requirement, all persons making use of NRF facilities, platforms, equipment, tools etc., for research and related purposes are required to provide their personal details/data/information as per the template below or other similarly appropriate format. By completing your information in the template/register/record below and appending your signature thereto, you confirm your consent, in line with the Protection of Personal Information Act 4 of 2013, whereby the NRF and any of its business units may process (collect, receive, record, organize, collate, share, store, update, modify, retrieve, alter, consult, use, disseminate, distribute, merge, link, erase or destroy) the personal information you provide within and amongst its business units/functions for the purpose of fulfilling its statutory mandate, public accountability and other regulatory/legal requirements.

### **1.1. INTRODUCTION TO THE BUSINESS UNIT (SAAO) RESPONSIBLE FOR THIS RFQ**

The South African Astronomical Observatory (SAAO) is a facility of the National Research Foundation and is the national centre for optical and infrared astronomy in South Africa. Its prime function is to conduct fundamental research in astronomy and astrophysics by providing a world-class facility and by promoting astronomy and astrophysics in Southern Africa.

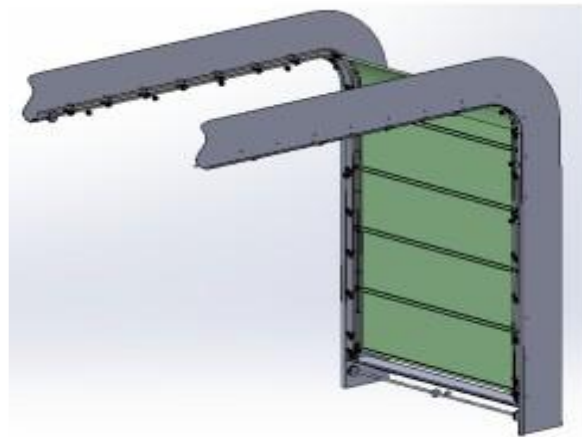
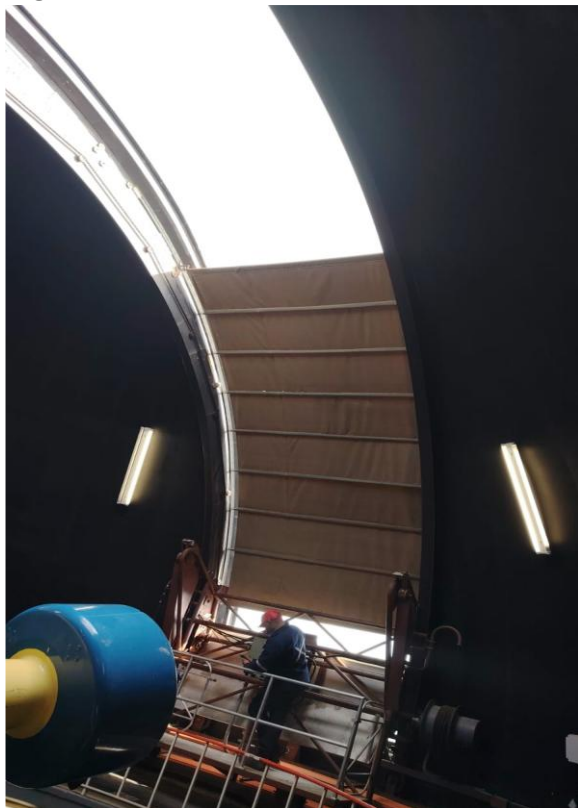
## 2. SUPPLY SPECIFICATIONS

SAAO invites the submission of quotations for the following:

*This RFQ is for the fabric part of a large, heavy-duty blind. There will be a compulsory site visit at the following address: SAAO, 1 Observatory Road, Observatory, Cape Town.*

The South African Astronomical Observatory (SAAO) operates multiple telescopes at a remote observing station in a mountainous region outside Sutherland, Northern Cape. Each telescope is housed inside a dome, which is open to the elements during the night. There are often strong winds that buffet the telescopes, so each dome is equipped with a windblind that can be raised vertically in front of the open shutters, to protect the telescope from oncoming winds (see Figure 1).

### Figure



*Figure 1: Left: an example of a windblind partially raised in a smaller dome, with the shutters behind open to the sky. Right: drawing of the windblind in the 1.9-metre telescope's dome, raised to its full extent. **N.B. Only the fabric part (green) of the blind is required for this RFQ.***

Following decades of wear and tear, we are currently refurbishing the windblind in the 1.9-metre telescope. The blind is 3.95 metres wide by approximately seven metres long, and is supported by multiple horizontal rails that fit into pockets along the length of the fabric. The rails have a roller on each end that runs in a channel on either side of the shutter aperture (see Figure 2). The blind is raised and lowered by a motorised chain system.



**Figure 2:** *Left:* The shutters in the 1.9-metre telescope's dome. When the windblind is fully raised, it covers the area indicated by the green rectangle. *Right:* When in the lowered position, the blind (green) folds and is stowed at the bottom of the shutters.

The mechanical parts are being manufactured in-house. We seek quotations for supply and manufacture of only the fabric part of the blind (see Figure 3). The blind is made of a heavy-duty, canvas-like fabric (Figure 4). Suppliers are required to attend a compulsory site visit to SAAO in Cape Town, where a section of the existing windblind will be made available for measurements to be made, and for the appropriate type of fabric to be identified.



**Figure 3:** *The existing windblind laid out on the floor (folded multiple times) showing the horizontal rails inserted into pockets along the length of the blind.*



**Figure 4:** Close up of the existing windblind, showing the tough fabric required to withstand the force of the wind.

#### **Requirements:**

Attend the compulsory site visit in order to:

- Measure the dimensions of the windblind and its features, e.g. the size/spacing/location of pockets for insertion of rails, etc.
- Identify the original fabric used, so as to select an appropriate, heavy-duty equivalent for the new blind. The fabric must be strong enough to withstand winds up to 80 km/h at temperatures down to about -10°C, and should have a similar weight to the original fabric so as not to overload the mechanical support system.
- Submit a quotation for the supply, manufacture and delivery of the fabric portion of the windblind, including all the original features, and made from an equivalently robust fabric.

#### **Deliver the final product to:**

SAAO

2 Observatory Road

Observatory

Cape Town 7925

### 3. EVALUATION PROCESS

The RFQ will be evaluated in the following three phases:

<b>Phase 1:</b>	Administrative compliance / submission of all returnable documents and completion of all returnable schedules
<b>Phase 2</b>	Specification evaluation and eligibility
<b>Phase 3:</b>	<p><b>80/20 preferential point system in terms of PPPR22</b></p> <ul style="list-style-type: none"> <li>- 80 – Price (VAT and all taxes included)</li> <li>- 20- Specific goals (BBBEE STATUS LEVEL) Refer to SBD6.1</li> </ul> <p>- <b>Specific goals:</b> <i>relevant in accordance with the B-BBEE Codes of Good Practice and the PPPFA that are contracting with persons, or categories of persons, historically disadvantaged by unfair discrimination on the basis of race, gender, or disability</i></p>

#### Phase 1 – Administrative Compliance

All returnable documents marked mandatory ('M'), must be completed or submitted by service providers in order to proceed to be evaluated further in Phase 2.

Returnable Document/ Schedule	Mandatory (M) / Optional (O)
Signed SBD 1 form	<b>M</b>
Signed and completed SBD 3.1 form (pricing schedule)	<b>M</b>
Signed and completed SBD 4 form	<b>M</b> (=> R 2 000)
Signed and completed SBD 6.1 form	<b>M</b> (=> R 2 000)
Valid BBBEE certificate, or sworn affidavit detailing annual turnover, in the case of EMEs and QSEs	<b>O</b> (preference points will not be allocated if not submitted)
CIDB requirement ( If applicable)	<b>N/A</b>

## 4. PRICING SCHEDULE – FIRM PRICES PURCHASES (SBD 3.1)

**NOTE: ONLY FIRM PRICES WILL BE ACCEPTED. NON-FIRM PRICES (INCLUDING PRICES SUBJECT TO RATES OF EXCHANGE VARIATIONS) WILL NOT BE CONSIDERED IN CASES WHERE DIFFERENT DELIVERY POINTS INFLUENCE THE PRICING, A SEPARATE PRICING SCHEDULE MUST BE SUBMITTED FOR EACH DELIVERY POINT**

**IF YOUR PRICES ARE VARIABLE (SUBJECT TO CHANGE), PLEASE SPECIFY THE VARIABLES THAT WILL AFFECT THE PRICE.**

OFFER TO BE VALID FOR 60 DAYS FROM THE CLOSING DATE OF BID.

Respondents are requested to complete the pricing schedule below in response to this Scope of Work. If the respondent feels there are any additional items that should be priced but were not included as part of the original scope of work, please submit separate quotation in company letter head

ITEM NO.	DESCRIPTION	QTY	PRICE PER UNIT	TOTAL
<b>SUB-TOTAL</b>				R
<b>VAT (15%)</b>				R
<b>TOTAL PRICE</b>				R

## 5. BIDDING CONDITIONS FOR THIS RFQ

The following conditions will apply to this request for quotations:

- 1) Price(s) quoted must be valid for at least (60) days from date of your offer.
- 2) Price(s) quoted must be inclusive of VAT, if applicable.

- 3) The bidder is required to submit:
  - a) Proof of B-BBEE Status Level of contributor, to claim points as per SBD 6.1
  - b) An EME is required to submit a sworn affidavit confirming their annual total revenue of R10 million or less and level of black ownership to claim points as per SBD 6.1
  - c) A QSE is required to submit a sworn affidavit confirming their annual total revenue of between R10 million and R50 million and level of black ownership or a B-BBEE level verification certificate to claim points. As per SBD 6.1
- 4) **No award will be made to a service provider who is not registered on CSD.** To register <https://secure.csd.gov.za/>.
- 5) Quotations equal to above R 2000 (VAT included) must be accompanied by the relevant SBD documentation as per section 3 of this document for Quotations duly completed.
- 6) The successful provider will be the one scoring the highest points in the event of the lowest bid being higher than R 2000. (VAT inclusive).
- 7) For goods/ services below R 2000 the successful bidder will be one with cheapest acceptable quotation.
- 8) SAAO reserves the right to withdraw any invitation to quote and/or to re-advertise or to accept a part of it. SAAO does not bind itself to accepting the lowest quotation.
- 9) This request for quotations is subject to the National Treasury General Conditions of Contract (GCC) and, if applicable, any other special conditions of contract.
- 10) **Payment terms is within 30 days from date of receipt of invoice and when goods have been delivered. (No Pre- Payment allowed).**
- 11) **Where supplier terms and conditions are different from SAAO set terms and conditions**

**SBD 4 - BIDDER'S DISCLOSURE**

**1. PURPOSE OF THE FORM**

Any person (natural or juristic) may make an offer or offers in terms of this invitation to bid. In line with the principles of transparency, accountability, impartiality, and ethics as enshrined in the Constitution of the Republic of South Africa and further expressed in various pieces of legislation, it is required for the bidder to make this declaration in respect of the details required hereunder.

Where a person/s are listed in the Register for Tender Defaulters and / or the List of Restricted Suppliers, that person will automatically be disqualified from the bid process.

**2. Bidder's declaration**

2.1 Is the bidder, or any of its directors / trustees / shareholders / members / partners or any person having a controlling interest<sup>1</sup> in the enterprise, employed by the state?

**YES/NO**

2.1.1 If so, furnish particulars of the names, individual identity numbers, and, if applicable, state employee numbers of sole proprietor/ directors / trustees / shareholders / members/ partners or any person having a controlling interest in the enterprise, in table below.

Full Name	Identity Number	Name of State institution

2.2

Do you, or any person connected with the bidder, have a relationship with any person who is employed by the procuring institution? **YES/NO**

2.2.1 If so, furnish particulars:

.....  
 .....

---

<sup>1</sup> the power, by one person or a group of persons holding the majority of the equity of an enterprise, alternatively, the person/s having the deciding vote or power to influence or to direct the course and decisions of the enterprise.



2.3 Does the bidder or any of its directors / trustees / shareholders / members / partners or any person having a controlling interest in the enterprise have any interest in any other related enterprise whether or not they are bidding for this contract?

YES/NO

2.3.1 If so, furnish particulars:

.....  
.....

**3 DECLARATION**

I, \_\_\_\_\_ the \_\_\_\_\_ undersigned, (name)..... in submitting the accompanying bid, do hereby make the following statements that I certify to be true and complete in every respect:

- 3.1 I have read and I understand the contents of this disclosure;
- 3.2 I understand that the accompanying bid will be disqualified if this disclosure is found not to be true and complete in every respect;
- 3.3 The bidder has arrived at the accompanying bid independently from, and without consultation, communication, agreement or arrangement with any competitor. However, communication between partners in a joint venture or consortium<sup>2</sup> will not be construed as collusive bidding.
- 3.4 In addition, there have been no consultations, communications, agreements or arrangements with any competitor regarding the quality, quantity, specifications, prices, including methods, factors or formulas used to calculate prices, market allocation, the intention or decision to submit or not to submit the bid, bidding with the intention not to win the bid and conditions or delivery particulars of the products or services to which this bid invitation relates.
- 3.5 The terms of the accompanying bid have not been, and will not be, disclosed by the bidder, directly or indirectly, to any competitor, prior to the date and time of the official bid opening or of the awarding of the contract.
- 3.6 There have been no consultations, communications, agreements or arrangements made by the bidder with any official of the procuring institution in relation to this procurement process prior to and during the bidding process except to provide clarification on the bid submitted where so required by the institution; and the bidder was not involved in the drafting of the specifications or terms of reference for this bid.
- 3.7 I am aware that, in addition and without prejudice to any other remedy provided to combat any restrictive practices related to bids and contracts, bids that are suspicious will be reported to the Competition Commission for investigation and possible

<sup>2</sup> Joint venture or Consortium means an association of persons for the purpose of combining their expertise, property, capital, efforts, skill and knowledge in an activity for the execution of a contract.

imposition of administrative penalties in terms of section 59 of the Competition Act No 89 of 1998 and or may be reported to the National Prosecuting Authority (NPA) for criminal investigation and or may be restricted from conducting business with the public sector for a period not exceeding ten (10) years in terms of the Prevention and Combating of Corrupt Activities Act No 12 of 2004 or any other applicable legislation.

I CERTIFY THAT THE INFORMATION FURNISHED IN PARAGRAPHS 1, 2 and 3 ABOVE IS CORRECT.

I ACCEPT THAT THE STATE MAY REJECT THE BID OR ACT AGAINST ME IN TERMS OF PARAGRAPH 6 OF PFMA SCM INSTRUCTION 03 OF 2021/22 ON PREVENTING AND COMBATING ABUSE IN THE SUPPLY CHAIN MANAGEMENT SYSTEM SHOULD THIS DECLARATION PROVE TO BE FALSE.

.....	.....
Signature	Date
.....	.....
Position	Name of bidder

**SBD 6.1**

**PREFERENCE POINTS CLAIM FORM IN TERMS OF THE PREFERENTIAL PROCUREMENT REGULATIONS 2022**

This preference form must form part of all tenders invited. It contains general information and serves as a claim form for preference points for specific goals.

**NB: BEFORE COMPLETING THIS FORM, TENDERERS MUST STUDY THE GENERAL CONDITIONS, DEFINITIONS AND DIRECTIVES APPLICABLE IN RESPECT OF THE TENDER AND PREFERENTIAL PROCUREMENT REGULATIONS, 2022**

---

**1. GENERAL CONDITIONS**

- 1.1 The following preference point systems are applicable to invitations to tender:
- the 80/20 system for requirements with a Rand value of up to R50 000 000 (all applicable taxes included); and
- 1.2 **To be completed by the organ of state**
- a) The applicable preference point system for this tender is the **80/20** preference point system.

- b) The **80/20 preference point system** will be applicable in this tender. The lowest/highest acceptable tender will be used to determine the accurate system once tenders are received.

1.3 Points for this tender (even in the case of a tender for income-generating contracts) shall be awarded for:

- (a) Price; and
- (b) Specific Goals.

1.4 **To be completed by the organ of state:**

The maximum points for this tender are allocated as follows:

	POINTS
<b>PRICE</b>	80
<b>SPECIFIC GOALS</b>	20
<b>Total points for Price and SPECIFIC GOALS</b>	<b>100</b>

1.5 Failure on the part of a tenderer to submit proof or documentation required in terms of this tender to claim points for specific goals with the tender, will be interpreted to mean that preference points for specific goals are not claimed.

1.6 The organ of state reserves the right to require of a tenderer, either before a tender is adjudicated or at any time subsequently, to substantiate any claim in regard to preferences, in any manner required by the organ of state.

## 2. DEFINITIONS

- (a) **“tender”** means a written offer in the form determined by an organ of state in response to an invitation to provide goods or services through price quotations, competitive tendering process or any other method envisaged in legislation;
- (b) **“price”** means an amount of money tendered for goods or services, and includes all applicable taxes less all unconditional discounts;
- (c) **“rand value”** means the total estimated value of a contract in Rand, calculated at the time of bid invitation, and includes all applicable taxes;
- (d) **“tender for income-generating contracts”** means a written offer in the form determined by an organ of state in response to an invitation for the origination of income-generating contracts through any method envisaged in legislation that will result in a legal agreement between the organ of state and a third party that produces revenue for the organ of state, and includes, but is not limited to, leasing and disposal of assets and concession contracts, excluding direct sales and disposal of assets through public auctions; and
- (e) **“the Act”** means the Preferential Procurement Policy Framework Act, 2000 (Act

No. 5 of 2000).

### **3. FORMULAE FOR PROCUREMENT OF GOODS AND SERVICES**

#### **3.1. POINTS AWARDED FOR PRICE**

##### **3.1.1 THE 80/20 PREFERENCE POINT SYSTEMS**

A maximum of 80 points is allocated for price on the following basis:

**80/20**

$$Ps = 80 \left( 1 - \frac{Pt - P_{min}}{P_{min}} \right)$$

Where

Ps = Points scored for price of tender under consideration

Pt = Price of tender under consideration

Pmin = Price of lowest acceptable tender

#### **3.2. FORMULAE FOR DISPOSAL OR LEASING OF STATE ASSETS AND INCOME GENERATING PROCUREMENT**

##### **3.2.1. POINTS AWARDED FOR PRICE**

A maximum of 80 points is allocated for price on the following basis:

**80/20**

$$Ps = 80 \left( 1 + \frac{Pt - P_{max}}{P_{max}} \right)$$

Where

Ps = Points scored for price of tender under consideration

Pt = Price of tender under consideration

Pmax = Price of highest acceptable tender

### **4. POINTS AWARDED FOR SPECIFIC GOALS**

4.1. In terms of Regulation 4(2); 5(2); 6(2) and 7(2) of the Preferential Procurement Regulations, preference points must be awarded for specific goals stated in the tender. For the purposes of this tender the tenderer will



be allocated points based on the goals stated in table 1 below as may be supported by proof/ documentation stated in the conditions of this tender:

**Table 1: Specific goals for the tender and points claimed are indicated per the table below.**

**Note to tenderers: The tenderer must indicate how they claim points for each preference point system.)**

**SPECIFIC GOALS (80/20)**

B-BBEE Status Level of Contributor	1	2	3	4	5	6	7	8	Non-compliant contributor 0
Contributor Number of Points for Preference (80/20) between R2000 and R50m	20	18	14	12	8	6	4	2	
Points Claimed (Supplier to complete)									

**DECLARATION WITH REGARD TO COMPANY/FIRM**

4.2. Name \_\_\_\_\_ of company/firm.....

4.3. Company \_\_\_\_\_ registration \_\_\_\_\_ number: .....

4.4. TYPE OF COMPANY/ FIRM

- Partnership/Joint Venture / Consortium
- One-person business/sole propriety
- Close corporation
- Public Company
- Personal Liability Company
- (Pty) Limited
- Non-Profit Company
- State Owned Company

[TICK APPLICABLE BOX]

4.5. I, the undersigned, who is duly authorised to do so on behalf of the company/firm, certify that the points claimed, based on the specific goals as advised in the tender, qualifies the company/ firm for the preference(s) shown and I acknowledge that:

- i) The information furnished is true and correct;
- ii) The preference points claimed are in accordance with the General Conditions



as indicated in paragraph 1 of this form;

- iii) In the event of a contract being awarded as a result of points claimed as shown in paragraphs 1.4 and 4.2, the contractor may be required to furnish documentary proof to the satisfaction of the organ of state that the claims are correct;
- iv) If the specific goals have been claimed or obtained on a fraudulent basis or any of the conditions of contract have not been fulfilled, the organ of state may, in addition to any other remedy it may have –
  - (a) disqualify the person from the tendering process;
  - (b) recover costs, losses or damages it has incurred or suffered as a result of that person’s conduct;
  - (c) cancel the contract and claim any damages which it has suffered as a result of having to make less favourable arrangements due to such cancellation;
  - (d) recommend that the tenderer or contractor, its shareholders and directors, or only the shareholders and directors who acted on a fraudulent basis, be restricted from obtaining business from any organ of state for a period not exceeding 10 years, after the *audi alteram partem* (hear the other side) rule has been applied; and
  - (e) forward the matter for criminal prosecution, if deemed necessary.

.....  
**SIGNATURE(S) OF TENDERER(S)**  
 .....

**SURNAME AND NAME:** .....

**DATE:** .....

**ADDRESS:** .....

.....

## GENERAL CONDITIONS OF CONTRACT

The National Treasury General Conditions of Contract shall govern the contractual relationship between SAAO and the successful bidder. The contract is not attached, however is accessible on SAAO’s website - <https://www.saao.ac.za/tenders/>

## **BID SIGNATURE (SBD 1)**

I, the bidder, warrant by signature as having read and accepted each page in this document including any annexures attached to this document. I undertake to supply all or any of the goods, works, and services described in this procurement invitation to SAAO in accordance with the conditions requirements and specifications stipulated in this bid document at the price/s quoted. I confirm that I have satisfied myself as to the correctness and validity of my offer/bid in response to this invitation, covering all my obligations and I accept that any mistakes regarding price(s), rate(s), and calculations are at my own risk.

My offer remains binding upon me and open for acceptance by SAAO during the validity period indicated and calculated from the closing time of bid invitation. I accept full responsibility for the proper execution and fulfilment of all obligations and conditions devolving on me in terms of this document as the principal liable for the due fulfilment of the subsequent contract conditions if awarded to me.

I declare that during the bidding period did not have access to any NRF proprietary information or any other matter that may have unfairly placed our bid in a preferential position in relation to any of the other bidder(s).

I confirm that I am duly authorised to sign this offer/ bid response.

NB: Failure to provide / or comply with any of the above particulars may render the bid invalid.

**Signature of bidder:**