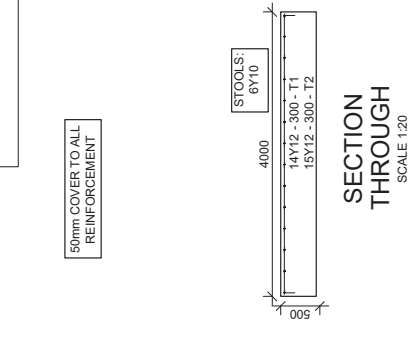
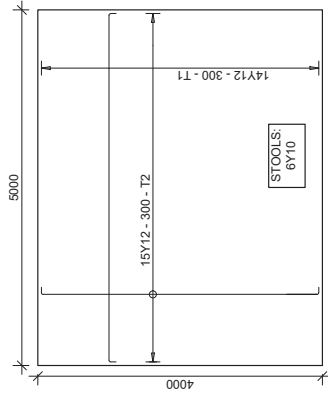
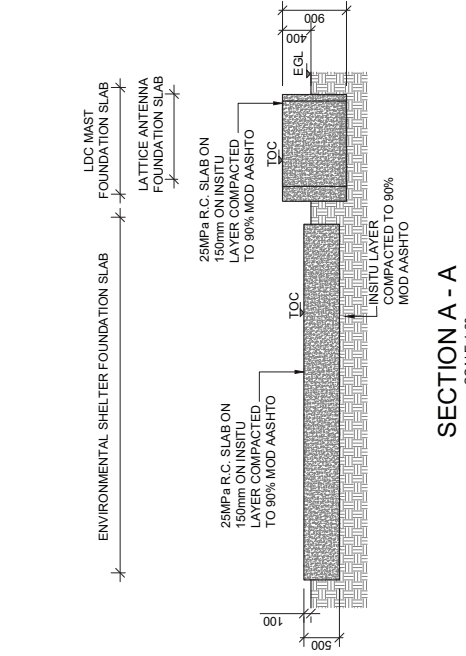


NOTES

- THIS DRAWING IS TO BE READ IN ACCORDANCE WITH THE MECHANICAL AND ELECTRICAL ENGINEERS DRAWINGS.
- SETTING OUT OF SLABS IN ACCORDANCE TO MECHANICAL ENGINEERS SPECIFICATIONS.
- ALL LEVELS AND DIMENSIONS TO BE CHECKED ON SITE.
- ALL CONCRETE WORK TO COMPLY WITH SANS 1200G.
- COVER TO REINFORCEMENT AS INDICATED ON DRAWING.
- ALL REINFORCING FIXING TO BE INSPECTED BY STRUCTURAL ENGINEER PRIOR TO CASTING OF CONCRETE.
- SIX CUBES TO BE TAKEN PER POUR TO BE TESTED AT 7 DAYS AND 3 - 3 TO BE TESTED AT 28 DAYS. THE RESULTS TO BE FORWARDED TO THE ENGINEER.
- CONTRACTOR TO CONSTRUCT A 50mm 10MPa BLINDING LAYER AS PER STRUCTURAL ENGINEERS INSTRUCTION.
- ALL STRUCTURAL CONCRETE TO BE CURED FOR A MINIMUM OF 7 DAYS.
- ALL SLEEVE PENETRATIONS (IF ANY) TO MECHANICAL/ELECTRICAL ENGINEERS DETAILS.
- REFERENCE TO BE MADE TO THE MECHANICAL ENGINEERS REPORT AND DRAWINGS.
- STARTER BOLT POSITION AS PER MECHANICAL ENGINEERS DETAILS.
- REFERENCE TO BE MADE TO THE ELECTRICAL ENGINEERS DRAWINGS FOR ALL EARTHING AND LIGHTNING PROTECTION REQUIREMENTS.

LEGEND:

SYMBOL	DESCRIPTION
TOC	TOP OF CONCRETE
EGL	EXISTING GROUND LEVEL



REV	DATE	DESCRIPTION	NAME
A	2022/08/12	PRELIMINARY	YP

NRF
National Research Foundation

SARAO
South African Radio Astronomy Observatory

DISCLAIMER:
THIS DRAWING IS THE PROPERTY OF SARAO AND MAY NOT BE COPIED OR USED FOR ANY PURPOSE OTHER THAN THAT FOR WHICH IT IS SUPPLIED WITHOUT PERMISSION IN WRITING FROM THE OWNER.

Project Title:
LOSBERG HILL RFI MONITORING STATION

Drawing Title:
FOUNDATION SLAB LAYOUT AND DETAILS

Drawn by:	YP	Designed by:	AK
Date:	2022.08.12	Scale:	AS SHOWN
Dwg No.:	M2952-0001-000	Rev.:	A
Approved by:	ALFA	Issued for:	PRELIMINARY
Page No.:	1	Page Size:	A3
Approved:		Page:	1 OF 1