

LEGEND

- FIRE SIGNAGE
- FIRE HOSE REEL
- FIRE HYDRANT
- FIRE EXTINGUISHER
- BOOSTER CONNECTION
- NON RETURN VALVE
- Ø110 FIRE WATER PIPE
- DOMESTIC WATER
- ASSEMBLY POINT
- TRAVEL DIRECTION
- MCP MANUAL CALL POINT
- S/S STROBE/SOUNDER
- HVACR HVAC RELAY
- FP FIRE PANEL
- SD SMOKE DETECTOR
- IRFD INFRA RED FLAME DETECTOR

GROUND STOREY

SIGNAGE LEGEND:

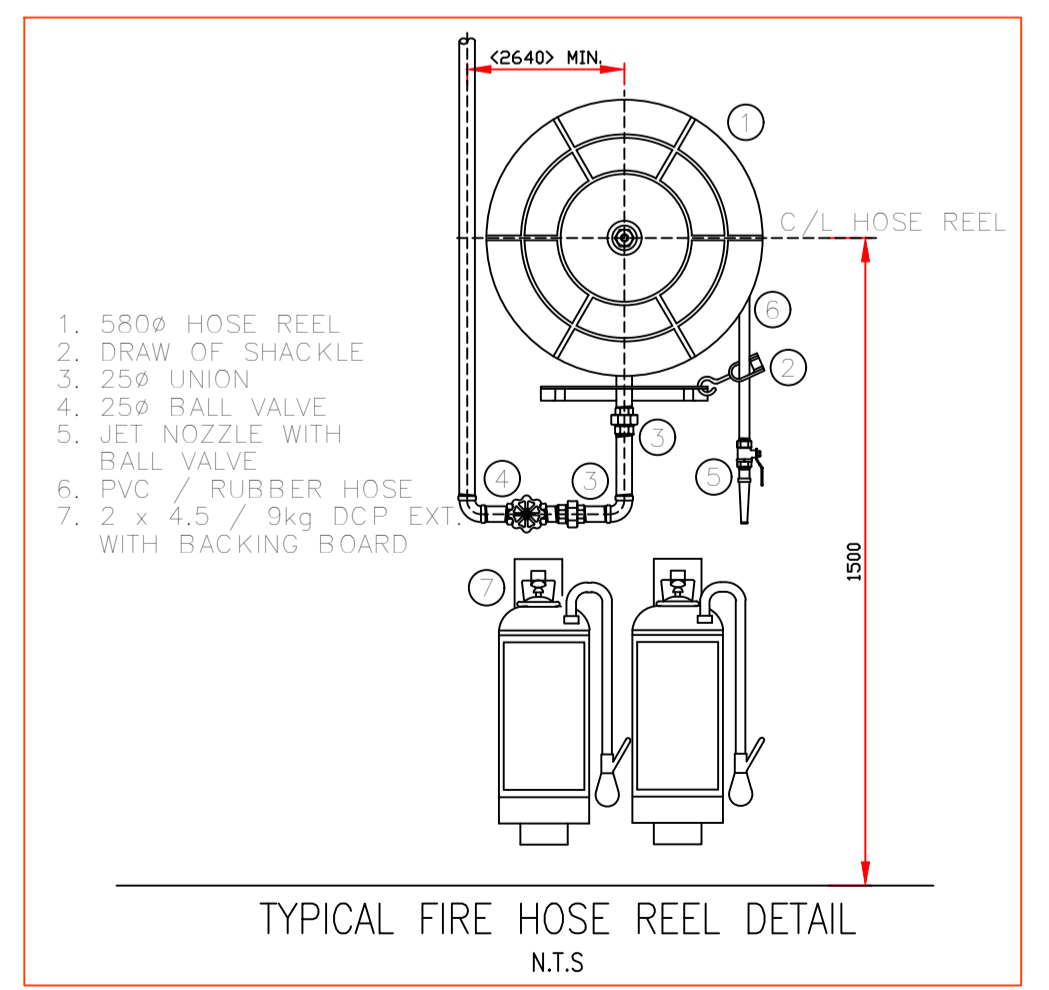
E1		E16		F2		F6		F17		F30		F49	
E2		E17		F3		F13		F19		F32		CC1	
E3		E99		F4		F14		F20		F39			
E6		F1		F5		F16		F22		F45			

DOUBLE SIDED:

E1		E16		F20		F19		F6		F3	
E2		E17		F17		F16		F5		F2	

ALL SIGNS TO BE 190mm X 190mm PHOTO - LUMINESCENT, WITH WHITE BACK GROUND

400mm x 400mm Photo-Luminescent Sign, White Background with Red Standard Type Lettering 15mm High



FIRE NOTES:

SEE STANDARD SPECIFICATIONS FOR EQUIPMENT DETAILS
ALL EXTRA FIRE NOTES AS PER RATIONAL FIRE DESIGN
ALL OTHER WORK AS PER EXISTING APPROVED DRAWINGS

GENERAL FIRE NOTES:

- FIRE HOSE REEL:**
HOSE REEL TO BE INSTALLED SECURELY TO POSITIONS AS INDICATED, TO BE FED BY 25MM DIAMETER PIPE AND TO BE INSTALLED IN ACCORDANCE WITH SANS 543 AND 4.34.
- PORTABLE FIRE EXTINGUISHERS:**
5KG DRY CHEMICAL POWDER FIRE EXTINGUISHERS TO BE INSTALLED AS PER PLAN AND 4.5KG DRY CHEMICAL POWDER TO BE INSTALLED AS PER PLAN, SECURELY TO PURPOSE MADE BOARDS OR FRAMES. ALL FIRE EXTINGUISHERS TO BE INSTALLED IN ACCORDANCE WITH SANS 5102 AND 4.37.
FIRE CABINETS ARE REQUIRED FOR ALL EXPOSED FIRE EXTINGUISHERS. POLYCARBONATE FOR INTERNALLY PLACED UNITS, AND STEEL FOR EXTERNALLY PLACED UNITS.
SEE ME-E-010502 & ME-E-010503
EQUIPMENT PLACED INSIDE CUPBOARDS DO NOT REQUIRE FIRE CABINETS.
IN GENERAL FIRE EXTINGUISHERS ARE PREFERRED BELOW HOSE REELS.
- FIRE EXITS:**
ESCAPE DOORS TO BE IN A PROMINENT POSITIONS AS INDICATED ON PLAN. TIMBER FRAMED, LEDGED AND BATTENED DOORS TO ALL EXTERNAL PARTS OF BUILDING ESCAPE DOORS MAY ONLY BE FITTED WITH APPROVED LOCKING DEVICES (NO KEYS).
- SIGNAGE:**
ALL FIRE FIGHTING EQUIPMENT AND FIRE EXITS TO BE CLEARLY MARKED WITH PHOTOLUMINESCENT SYMBOLIC SIGNAGE, AND BE SECURELY MOUNTED WITH SUITABLE FIXING METHODS (NO ADHESIVES) TO BE INSTALLED IN ACCORDANCE WITH SANS 1186.
- ALL WORK TO COMPLY AND TO BE CARRIED OUT TO SANS 10400 OF 2011 - AND AS PER RATIONAL DESIGN.
- BUILDING AND PROPERTY TO COMPLY WITH SANS 10400 4.55.
- ALL STRUCTURAL ELEMENTS AND COMPONENTS TO COMPLY TO SANS 10400 4.7.
- FIRE HYDRANT TO COMPLY TO SANS 10400 AND PIPE WORK TO COMPLY TO SANS 10400 PART W.
- ALL FIRE WATER RETICULATION TO BE TESTED BY THE FIRE DEPARTMENT AND WATER DEPARTMENT.
- INSULATION TO COMPLY TO SANS 0428.
- VENTILATION TO COMPLY TO 4.42 OR AS PER RATIONAL DESIGN.
- FIRE DOORS TO COMPLY WITH SANS 1253.
- SMOKE DETECTION TO COMPLY WITH SANS 0139.
- EMERGENCY LIGHTING TO COMPLY TO SANS 4.30.
- MIN 4M WIDE ACCESS FOR FIRE DEPT.
- FLOOR COVERINGS TO COMPLY WITH SANS 4.14 AND TO BE CLASS 3 OR LOWER.
- WALL COVERINGS TO COMPLY WITH SANS 4.15 AND TO BE CLASS 3 OR LOWER.

PLEASE NOTE:

ALL RED INDICATED WALLS ARE TO BE FIRE WALLS.
ALL SIZES OF PIPING SHOWN ARE INTERNAL DIAMETER SIZES

MECHANICAL ENGINEER

P.O. BOX 678
Midstream estates
Centurion
1629
Tel. (012) 665 1339
info@hdmeng.co.za
Fax. 086 224 9021
www.hdmeng.co.za

ASSOCIATED REFERENCE DRAWING

FIELD	DESCRIPTION	DRAWING NUMBER	REV.	DATE

SIGNATURE: _____ DATE: _____ SHEET NO: **A1** SCALE: _____

DESIGNED: S.M. DRAWN: C.M. VERIFIED: S.M. VALIDATED: S.M.

STATUS LEGEND:
 * INFORMATION FOR MEASURE
 * TENDER
 * CONSTRUCTION
 * AS BUILT
 * FOR APPROVAL

CLIENT:

PROJECT:

SABS EAST LONDON

DRAWING TITLE:

BUILDING B SMOKE DETECTION

PROJECT NUMBER	DISCIPLINE	DRAWING NUMBER	STATUS	REVISION
1134	MECHANICAL	ME-SD-002	I	A