

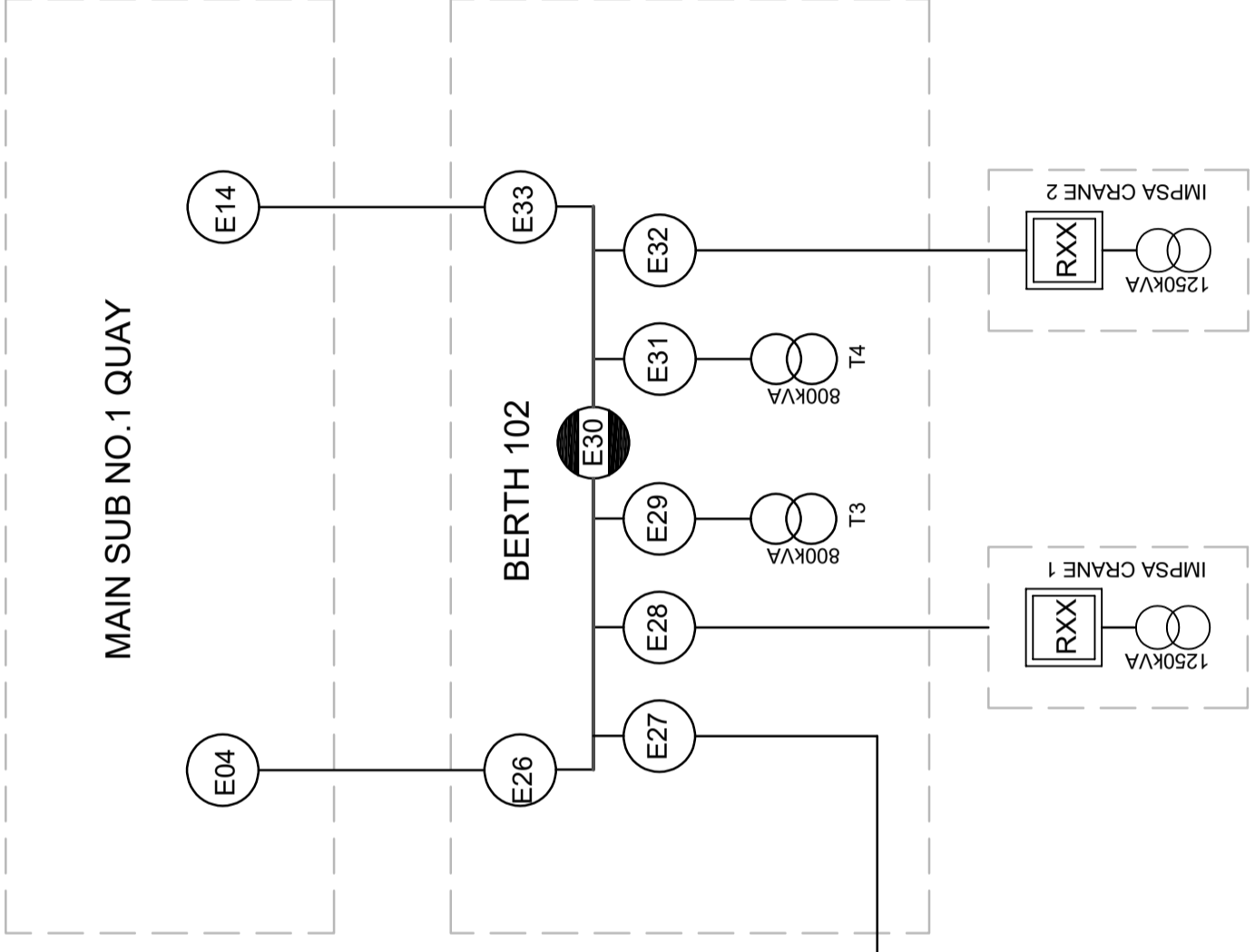


- NOTES:
1. SWITCHGEAR NUMBERING TO BE CONFIRMED BY CONTRACTOR AT EXECUTION STAGE.
 2. TRANSFORMER CAPACITY SHOWN IN KVA UNLESS OTHERWISE INDICATED
 3. DEVICE NORMALLY OPEN POSITION 
 4. DEVICE MAY BE OPERATED WITHOUT REFERENCE TO "CONTROL" BUT WORK PERMITS MUST BE THROUGH CONTROL 



SWITCHGEAR DETAILS:

- E19A - MAIN SUB No.1 QUAY FEEDER No.1 VCB
- E19 - FUTURE IMPSA CONTAINER CRANE
- E20 - SPARE
- E21 - LOCAL TRANSFORMER No. 3 - 400V
- E22 - BUS COUPLER
- E23 - LOCAL TRANSFORMER No. 4 - 400V
- E24 - SPARE
- E25 - LIEBHERR CONTAINER CRANE

NOTES

1. DO NOT SCALE DRAWING - ONLY DIMENSIONS SHOWN TO BE USED.
2. THE CONTRACTOR SHALL VERIFY ALL CONDITIONS, DIMENSIONS AND LEVELS ON THE SITE AND NOTIFY THE NEC SUPERVISOR OF ANY VARIATIONS BEFORE CONSTRUCTION.

DRAWING NO.

REFERENCE

REFERENCE DRAWINGS

REVISIONS

NO.	DESCRIPTION	BY	CHKD	APPD	DATE
0A	ISSUED FOR TENDER	ZN	KZ	SM	16/11/2022

This Document including all design and information therein is Confidential Intellectual Property of Transnet. Copyright and all other rights are reserved by Transnet. This Document may only be used for its intended purpose.

CONTRACTOR / CONSULTANT

TITLE	NAME	SIGN	DATE

OPERATING DIVISIONS

TITLE	NAME	SIGN	DATE

Transnet Port Terminals

TRANSNET LTD. REG. NO. 19900000006
 202 SMITH STREET
 DURBAN
 P.O. BOX 38163, DURBAN
 TEL: 031 361 1686
 FAX: 0866 770815

TRANSNET



PORT ELIZABETH

HV INFRASTRUCTURE
 UPGRADE PROJECT
 BERTH 102 SUBSTATION
 PROPOSED MV SINGLE LINE DIAGRAM

PROJECT NUMBER	OD	FBS	DIS	TYPE	DRAWING NO	SHEET	REV	ID
22334972	00	00	E	L	A	001	04	OATD