

INVITATION TO SUBMIT A PROPOSAL FOR REQUIREMENTS OF THE SOUTH AFRICAN BUREAU OF STANDARDS (SABS)

RFP NUMBER: 201313

DESCRIPTION: APPOINTMENT OF A SERVICE PROVIDER FOR THE MODIFICATION OF AN EXISTING FIRE TEST CHAMBER AT GROENKLOOF

CLOSING DATE: 18 APRIL 2024

CLOSING TIME: 11:00 AM

Copyright Notice:

This document contains information that is proprietary and confidential to SABS who has all rights of copyright in it. Any dissemination, distribution, reproduction, or disclosure in any form of the content of this document is forbidden without prior authorization of SABS. The SABS will strictly enforce its rights against any acts of copyright infringement.

**THE FOLLOWING PARTICULARS MUST BE FURNISHED
(FAILURE TO DO SO MAY RESULT IN YOUR PROPOSAL BEING DISQUALIFIED)**

NAME OF BIDDER				
POSTAL ADDRESS				
STREET ADDRESS				
TELEPHONE NUMBER	(CODE)		(NUMBER)	
FACSIMILE NUMBER	(CODE)		(NUMBER)	
CELLPHONE NUMBER				
E-MAIL ADDRESS				
VAT REGISTRATION NUMBER				

NAME OF AUTHORISED PERSON				
SIGNATURE OF BIDDER				
CAPACITY UNDER WHICH THIS BID IS SIGNED				
DATE				

Intent

The South African Bureau of Standards (SABS) is inviting experienced and reputable (Suppliers) Bidders to submit proposals for Panel multi-disciplinary engineering for a period of three years.

1. Confidentiality

This document may not be used for any purpose by the Bidder other than for developing their response to it, and all reasonable efforts must be taken by the Bidder to ensure the confidentiality of any information provided. This document and any other information of a confidential nature provided to the Bidder during the Request for Proposal (RFP) process are to be covered by the non-disclosure agreement signed between the SABS and the Bidder.

2. Procedural compliance

3.1 Intent to respond

An interested Bidder is required to advise the SABS of its intention to submit a proposal by completing and returning the "Intention to Respond" form (Appendix B) no later than **18 APRIL 2024**. Should a party decide not to respond to this RFP, you are requested to continue to treat the information as confidential in perpetuity.

3.2 Responsibility for costs

Under no circumstances shall the SABS accept any responsibility whatsoever for any of the Bidder's costs associated with the preparation and/or submission of its Bid/Proposal, including any costs incurred by the Bidder before the signature, by both parties, of an agreement resulting from a successful bid.

3.3 Amendments to the RFP

Amendments to this document shall only be effective if agreed by the SABS and confirmed in a written addendum to the RFP. The SABS reserves the right to modify the scope of this document at any time before and after the award of the tender.

3.4 Delivery of proposals or bids

The Bidder is responsible for ensuring that the Bid/Proposal is submitted and delivered on time to Tenders.Tintswalo@sabs.co.za. The SABS undertakes that the Bids/Proposals shall be stored in a secure place, opened at the same time and not before the deadline for submission.

Note: The above email address should only be used for submission of proposals. No clarity-seeking questions should be sent to this email address. (see 4.2 below)

3.5 No obligation to proceed.

The SABS reserves the right to discontinue the RFP process at any time before the formation of the envisaged agreement and will give written reasons for the cancellation upon written request to do so. The SABS, its subsidiaries, shareholders, advisors, directors, employees, and representatives including the SABS Representative shall not be liable for any losses, claims, or damages of whatsoever nature or howsoever arising that may be sustained by a Bidder or any other person as a result of its participation or any amendment, termination or suspension of the process set out in this RFP or its exclusion from participating in the tender process at any point. It is an express term that SABS shall in no way be liable for any indirect/consequential damages, loss of profits, etc. suffered by the Bidder during the RFP process, award, negotiating, and/or contracting phase.

After any cancellation of the tender process or the rejection of all tenders due to non-compliance with the thresholds, SABS may abandon the proposed work and services, have it performed in any other manner, or re-issue a similar invitation to tender at any time.

3.6 No contract

Bidders shall note that this RFP does not commit the SABS to any course of action resulting from the receipt of Bids/Proposals and the SABS may, at its discretion, reject any Bid/Proposal that does not conform to instructions and specifications that are contained herein or select a Bidder based upon its own unique set of criteria. SABS also reserves the right not to select a Bidder/award the tender. The SABS does not become bound by any obligations before the signature, by both parties, of an agreement - to be negotiated, resulting from a successful bid.

Nothing in this document shall be construed as a contract between the parties and no communication, whether verbal or written, by the SABS personnel or agents during the course of this process shall create such a contract in respect of the requirements specified in this RFP.

SABS shall not be liable for any fees incurred due to any work done/services performed by the Bidder before signature, by both parties, of an agreement resulting from a successful bid.

3.7 Validity of Proposals

The proposal shall remain valid for a period of one hundred and twenty (120) days from the submission date, where after such proposal expires. SABS retains the right, but is under no obligation, to request Bidders to extend the validity periods of their proposals, before expiry thereof. Such request, if any, shall be in writing. The Bidder is not obliged to extend the validity period.

3.8 Intellectual Property

The Bidder undertakes that the SABS retains ownership of all Intellectual property rights on all material and processes developed that relate to the service provided for and on its behalf by the Bidder. The Bidder undertakes to transfer all said Intellectual Property Rights, whether registered and/or unregistered, to the SABS, including undertaking to sign all forms necessary to affect such transfer.

3. General Instructions

4.1 Assumptions

The SABS has endeavored to provide sufficient guidance to inform Bidders' Bids/Proposals. However, it may be necessary to make some assumptions. Where assumptions have been made these must be documented in the Bid/Proposal. The SABS accepts no responsibility for assumptions made by the Bidder.

4.2 Requests for clarification/additional information

Requests for additional information, questions, or issues fundamental to the quality or clarity of the response should be submitted using the 'Request for Proposal Enquiry' (Appendix N). Additional information will be provided at the discretion of the SABS. The SABS also reserves the right to provide the same information to all other interested Bidders.

4.3 Contact information.

All inquiries regarding this RFP must be e-mailed to Tintswalo.Nyathi@sabs.co.za. Bidders must not contact any other SABS personnel regarding this RFP as this may lead to disqualification of the bid. Also, note that any canvassing by Bidders regarding this RFP will result in disqualification.

4.4 Timescale

The proposed timescales for the RFP process are indicated below.

Item	Milestone	Date
1	Date of RFP advertisement	27 MARCH 2024
2	Appendix C, Non-disclosure Agreement /Confidentiality Undertaking signed and submitted	16 APRIL 2024
3	Appendix B, Intention to Respond released and submitted	16 APRIL 2024
4	Final Date for Bidders to submit consolidated requests for clarification (Questions) Questions are to be sent to Tintswalo.Nyathi@sabs.co.za	16 APRIL 2024
5	SABS clarification. (Not further clarification after this date)	16 APRIL 2024
6	Proposal Submission Date Proposals are to be sent to Tenders.Tintswalo@sabs.co.za	18 APRIL 2024
7	Evaluation of proposals	22 APRIL 2024
8	Presentations	TBA
9	Awarding of Tender (Next TC seating)	TBA

4.5 Management summary

This section should be submitted as a separate document. The information to be provided in the Management Summary shall include, but not be limited to the following items:

- Company profile
- Completed 'Statement of compliance' (Appendix K)

4.6 Presentations

The SABS reserves the right to request bidders to present for clarification.

4.7 Clarification and Inspections.

The SABS may submit clarification in writing on specific tender aspects to obtain a better understanding of the received bid/s. This may also include possible inspections of the Bidder's premises at an agreed-upon date and time.

4.8 Submitting a response

4.8.1 Due date

- Proposals/ Bids are to be submitted by closing date and time as stipulated on page 1.
- Proposals/ Bids must be submitted **electronically** to Tenders.Tintswalo@sabs.co.za and must clearly indicate the correct tender **reference number** and **description on the subject. Maximum size 14MB.**
- Proposals/ Bids must be submitted in **PDF Files** (compressed zipped folder if necessary).
- Proposals/Bids submitted **via a link and/or “we transfer” will not be accepted.**
- The responsibility for on-time submission rests entirely with the Bidders.
- **Late submissions will NOT be accepted.**
- **The above email address should only be used for submission of proposals. No clarity seeking questions should be sent to this email address.**

4.8.2 Proposal format

Each proposal shall include a detailed description of the Bidder’s capabilities with regard to the requirements set out in **Appendix A and Section 5.3** of the Mandatory Evaluation.

4.8.3 Central Supplier Database (CSD) Registration

Service providers and suppliers who wish to render services to SABS will no longer register at SABS directly. Suppliers will have to register on the National Treasury Central Supplier Database (CSD) as per National Circular No 3 of 2015/6 – Central Supplier Database; National Treasury will maintain the database for all suppliers for the Government and its institutions; and All existing and prospective suppliers are requested to register on the CSD by accessing the National Treasury website at www.CSD.gov.za.

5. Evaluation

5.1 Returnable documents

Bidders must provide the following administrative compliance documents.

[TICK APPLICABLE BOX]

NO	APPENDIX	TICK
1	Appendix A Tender Requirements/ Scope of Work	
2	Appendix B Intention to Respond	
3	Appendix C SBD 4 Bidder’s Disclosure	
4	Appendix D Signed Non-disclosure agreement	
5	Appendix E SBD 6.1 Preference points claim form in terms of the Preferential Procurement Regulation 2022	
6	Appendix F Signed SABS Terms & Conditions	
7	Appendix G CSD Report / SBD1	
8	Appendix H BBBEE/ Sworn affidavit	
9	Annexure I Quotation/ Fixed Rate	
10	Appendix J Management Summary (including Statement of Compliance)	
11	Appendix K Statement of Compliance	
12	Appendix L Page 2 of the RFP Document	
13	Appendix M Audited Financial Statements	
14	Appendix N Request for Proposal Enquiry	

5.2 Disqualifying criteria is as follows:

- Bidders who do not meet all the requirements as specified on the RFP document scope of work will not be evaluated any further.
- Bidders whose solution is encumbered by any Intellectual Property rights, whether registered and/or unregistered, including but not limited to Copyrights, Patents, Know-How, Registered Designs, Trademarks, Trade Secrets, and the like, will not be considered for award of the bid.
- Bidders who make a misrepresentation on the above 2 points or any other material fact.

5.3 Preferential point system – PRICING and SPECIFIC GOAL

The same SABS negotiated rate will be used for all panelists.

4. Feedback on Proposals

Once the recommendation to the Tender Committee has been approved, the successful and unsuccessful bidder(s) will be notified in writing. Successful bidder/s will be issued with a notification letter. Such notification does not constitute an agreement. The award is wholly subject to the successful Bidder entering into a duly signed contract with SABS.

- 5. Contracting** Successful bidder(s) will be required to enter a contract with the SABS. A formal Agreement will be signed with the successful bidder and SABS further reserves the right to amend, alter, or delete clauses.

APPENDIX A – SCOPE OF WORK

PURPOSE OF THE DOCUMENT

Short description of the business being done, its context, and the reason for the project. Also, describe the work that the SABS intends to do with the delivered product:

A fire test chamber is utilized in the testing of fire propagation on distribution cables. The test is often conducted on both low and medium-voltage insulated distribution cables designed to restrict the propagation of fire. Testing is done to establish whether the material used in cable construction is self-extinguishing and whether the risk is sufficiently mitigated.

The chamber is requested as part of a strategic plan for the laboratory to increase testing capability for electrical cables. It is therefore a strategic requisition to improve laboratory testing capability and thus reduce reliance on subcontracting, or witness testing, whilst also upskilling personnel within the laboratory.

APPLICABLE AND REFERENCE DOCUMENTS

It is advised that the OEM product specification manual be referenced to understand the technical requirements of the equipment.

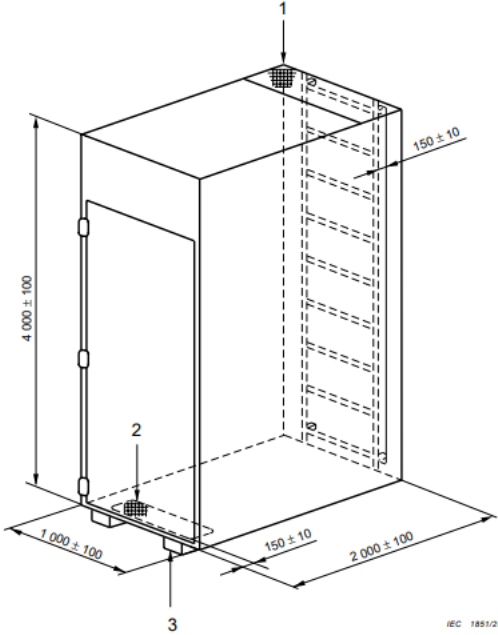
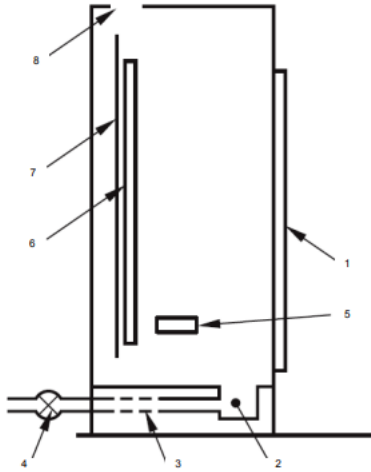
The following standards are some of the applicable:

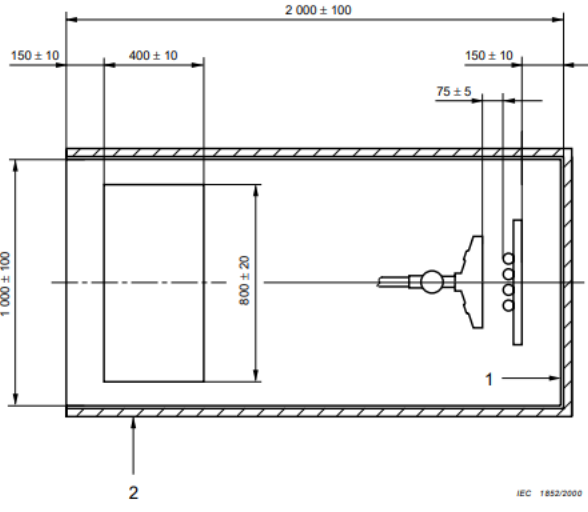
- SANS / IEC 1507-3
- SANS / IEC 1507-4
- SANS / IEC 1507-5
- SANS / IEC 1339
- SANS / IEC 60332 series

REQUIREMENTS

Provide a set of specific requirements *to be satisfied* by the material, design, product, or service to be procured for this project:

No	Requirement	Detailed description
1.	The new equipment and chamber must be reliably and safely operable	<p>The fire test chamber must have the following functional features:</p> <ul style="list-style-type: none"> • Control unit must be supplied off a single phase (230V) source and designed to control both the flow rate and duration of propane gas. • The chamber exists and is currently housed inside the existing Engineering laboratory building at SABS Groenkloof. • The Chamber is designed to meet the dimensions requirements specified in the applicable standard but needs to be fitted with thermocouples for temperature monitoring and ventilation for airflow control. • The chamber is to be fitted with exhaust of size 0,3m (W) x 1m (D) for fume extraction. • Ensure that the chamber is constructed of stainless steel material of 1,5mm (min) to 2mm (max) thickness for safety and durability, and thermally insulated. • The chamber is to be fitted with propane gas and airflow control units and pressure gauge and control valves. • Must be fitted with a viewing glass. • The chamber must be fitted with a forced flame-extinguishing device. • Must be retrofitted with a removable vertical ladder on the outside to enable viewing and monitoring testing of the sample. • An effluent cleaning device is to be attached to the chamber to enable control of emissions levels below urban environment requirements.
2.	Color of the unit	The building and the chamber exist and need to be painted to enhance their aesthetic feel.
3.	Elevation/ergonomics	Openings must be so constructed to accommodate entry for normal-sized people with ease. The viewing window must be positioned no less than 1m from the ground/ bottom

No	Requirement	Detailed description								
4.	The Chamber Dimensions	 <p style="text-align: right;">IEC 1851/2000</p> <p>Key</p> <ul style="list-style-type: none"> 1 Smoke outlet (300 ± 30) × (1 000 ± 100) 2 Air inlet (800 ± 20) × (400 ± 10) 3 Rig raised above ground level <p style="text-align: right;"><i>Dimensions in millimetres</i></p>								
	Schematic side elevation of the test chamber and air inlet arrangement	 <p style="text-align: right;">IEC 2350/08</p> <p>Key</p> <table border="0"> <tr> <td>1 door</td> <td>5 burner</td> </tr> <tr> <td>2 air inlet box</td> <td>6 cables tested</td> </tr> <tr> <td>3 air inlet duct</td> <td>7 ladder</td> </tr> <tr> <td>4 fan (illustrative position)</td> <td>8 smoke outlet</td> </tr> </table>	1 door	5 burner	2 air inlet box	6 cables tested	3 air inlet duct	7 ladder	4 fan (illustrative position)	8 smoke outlet
1 door	5 burner									
2 air inlet box	6 cables tested									
3 air inlet duct	7 ladder									
4 fan (illustrative position)	8 smoke outlet									

No	Requirement	Detailed description
	Thermal insulation of the back and sides of the test chamber	 <p data-bbox="746 734 1109 806"> Key 1 Steel plate, 1.5 mm to 2 mm thick 2 Thermal insulation of mineral wool approximately 65 mm thick with suitable external cladding to give a coefficient of heat transfer of approximately 0,7 W x m⁻² x K⁻¹ </p> <p data-bbox="1220 810 1356 822">Dimensions in millimetres</p>

INSTALLATION

The supplier will install and commission the equipment in line with requirements from the laboratory standards

COMMISSIONING

Specify who is responsible for the commissioning and any commissioning requirements.

The supplier

Note: During commissioning the supplier shall demonstrate all material, design, product, or service functionality. This will be compared to the requirements described in this product specification. Compliance will be confirmed by both SABS and the supplier signing off against each requirement.

TRAINING

Specify the training requirements. (To include several employees and what training modules i.e. operation of equipment, maintenance, etc.)

Training is required to operate the new equipment for up to 10 employees, including operation testing.

DOCUMENTATION

Specify the documentation required (data sheets, wiring diagrams, operation manuals, etc)

Instruction manual for the control unit, electrical compliance certificate, software and safety data sheet, and compliance for gas installation

Note: SABS will evaluate each document. SABS can decide at its discretion if any document is not sufficient. In such a case the supplier will be responsible for updating the document to SABS satisfaction.

SERVICES TO BE SUPPLIED BY SABS

The supplier is responsible for notifying SABS of any service that might be required for the installation, commissioning, and operation of the equipment. This notification must be submitted together with the original quotation.

No services would be provided by SABS except if agreed upfront.

CONDITIONS

- Equipment is to be operated under room temperature conditions.

SELECTION CRITERIA

- | |
|--|
| <ul style="list-style-type: none"> • Diversity in laboratory equipment makes. • Pricing and acceptable quality • Proven track record of similar projects • After-sales service support |
|--|

Note: General selection criteria

SABS will select the system most suited to the needs - and conditions in the SABS test laboratory.

All requirements of this document must be met as a minimum requirement.

Proposals will further be rated based on:

- Ease of operation
- Flexibility of application
- Additional features that will aid the test process.
- Mechanical soundness of the full system.
- Quality level of components
- Perceived overall design of the system.

Appendix B- Intention to respond to the Request for Proposal

We hereby accept/decline your Request for Proposal.

Company: _____

Company Representative: _____

Position/Title: _____

Signature: _____

Please state a brief reason for declining this Request for Proposal _____

1. PURPOSE OF THE FORM

Any person (natural or juristic) may make an offer or offer in terms of this invitation to bid. In line with the principles of transparency, accountability, impartiality, and ethics as enshrined in the Constitution of the Republic of South Africa and further expressed in various pieces of legislation, it is required for the bidder to make this declaration in respect of the details required hereunder.

Where a person/s is listed in the Register for Tender Defaulters and/or the List of Restricted Suppliers, that person will automatically be disqualified from the bid process.

2. Bidder's declaration

2.1 Is the bidder, or any of its directors/trustees/shareholders/members/partners or any person having a controlling interest¹ in the enterprise,

employed by the state?

YES/NO

2.1.1 If so, furnish particulars of the names, individual identity numbers, and, if applicable, state employee numbers of sole proprietors/directors/trustees/shareholders/members/ partners or any person having a controlling interest in the enterprise, in the table below.

Full Name	Identity Number	Name of State institution

¹ the power, by one person or a group of persons holding the majority of the equity of an enterprise, alternatively, the person/s having the deciding vote or power to influence or to direct the course and decisions of the enterprise.

2.2 Do you, or any person connected with the bidder, have a relationship with any person who is employed by the procuring institution? **YES/NO**

2.2.1 If so, furnish particulars:

.....
.....

2.3 Does the bidder or any of its directors/trustees/shareholders/members/partners or any person having a controlling interest in the enterprise have any interest in any other related enterprise whether or not they are bidding for this contract? **YES/NO**

2.3.1 If so, furnish particulars:

.....
.....

3 DECLARATION

I, the undersigned, (name)..... in submitting the accompanying bid, do hereby make the following statements that I certify to be true and complete in every respect:

- 3.1 I have read, and understand the contents of this disclosure;
- 3.2 I understand that the accompanying bid will be disqualified if this disclosure is found not to be true and complete in every respect;
- 3.3 The bidder has arrived at the accompanying bid independently from, and without consultation, communication, agreement, or arrangement with any competitor. However, communication between partners in a joint venture or consortium² will not be construed as collusive bidding.
- 3.4 In addition, there have been no consultations, communications, agreements, or arrangements with any competitor regarding the quality, quantity, specifications, or prices, including methods, factors, or formulas used to calculate prices, market allocation, the intention or decision to submit or not to submit the bid, bidding with the intention not to win the bid and conditions or delivery particulars of the products or services to which this bid invitation relates.
- 3.4 The terms of the accompanying bid have not been, and will not be, disclosed by the bidder, directly or indirectly, to any competitor, before the date and time of the official bid opening or of the awarding of the contract.
- 3.5 There have been no consultations, communications, agreements, or arrangements made by the bidder with any official of the procuring institution in relation to this procurement process before and during the bidding process except to provide clarification on the bid submitted where so required by the institution; and the bidder was not involved in the drafting of the specifications or terms of reference for this bid.

² Joint venture or Consortium means an association of persons for the purpose of combining their expertise, property, capital, efforts, skill and knowledge in an activity for the execution of a contract.

3.6 I am aware that, in addition, and without prejudice to any other remedy provided to combat any restrictive practices related to bids and contracts, suspicious bids will be reported to the Competition Commission for investigation and possible imposition of administrative penalties in terms of section 59 of the Competition Act No 89 of 1998 and or may be reported to the National Prosecuting Authority (NPA) for criminal investigation and or may be restricted from conducting

3.7 business with the public sector for a period not exceeding ten (10) years in terms of the Prevention and Combating of Corrupt Activities Act No 12 of 2004 or any other applicable legislation.

I CERTIFY THAT THE INFORMATION FURNISHED IN PARAGRAPHS 1, 2, and 3 ABOVE IS CORRECT.

I ACCEPT THAT THE STATE MAY REJECT THE BID OR ACT AGAINST ME IN TERMS OF PARAGRAPH 6 OF

PFMA SCM INSTRUCTION 03 OF 2022/22 ON PREVENTING AND COMBATING ABUSE IN THE SUPPLY

CHAIN MANAGEMENT SYSTEM SHOULD THIS DECLARATION PROVE TO BE FALSE.

.....

Signature

.....

Date

.....

Position

.....

Name of bidder

Appendix D

NON-DISCLOSURE AGREEMENT

THIS AGREEMENT is made BETWEEN

The South African Bureau of Standards (SABS), an organization established in terms of section 2 of the Standards Act (29 of 1993), whose registered office is at 1 Dr Lategan Road, Groenkloof, Pretoria, 0001, South Africa.

AND _____ (“the Bidder”), Registration
Number: _____ whose registered office is at

(Hereinafter referred to as the “parties”)

WHEREAS in the course of discussions and/or negotiations with the South African Bureau of Standards, the Bidder has received or may receive in the future, information relating to **201313** for the South African Bureau of Standards and other related information hereinafter referred to as “Confidential Information”. “Confidential information” shall include, but not be limited to any information disclosed by the SABS and/or any of its their affiliates, employees, agents, representatives, subcontractors, and consultants to the Bidder, its employees, agents, representatives, and consultants, whether orally, in writing, by graphic, pictorial or electronic format, which information includes but is not restricted to Business information, including know how, commercial and technical aspects of products, processes, and services; status and capabilities of the SABS’ business; The SABS or its subcontractors’ marketing and planning programs, products specifications, Service specifications, plans, drawings, test results, and findings; financial, operational and technical data; and particular types of technologies and inventions, that already currently exist or that the SABS wishes to be developed, which could be subject to intellectual property rights, whether registered and/or unregistered.

Therefore, the parties wish to agree as follows:

1. The Bidder undertakes to keep strictly secret and confidential all confidential information relayed or transmitted to it in any manner or form and will not divulge any part of the Confidential Information directly or indirectly to any person, firm, or entity (other than such of its employees who need to know the Confidential Information for the purposes of fulfilling the Bidder’s obligation to the South African Bureau of Standards).
2. The Bidder undertakes to not make copies of the Confidential Information or otherwise disseminate any of the Confidential Information (except as may be required to fulfil specific obligations towards the South African Bureau of Standards) without the South African Bureau of Standards expressing prior written consent.
3. This agreement applies to information whether or not such information is marked as or appears to be confidential and whether or not such information is of commercial use to the South African Bureau of Standards or any other party.
4. This agreement shall not apply to information which: -
 - (a) the Bidder can show had been lawfully received by it before disclosure under this agreement.
 - (b) is in the public domain or becomes so otherwise than through breach of this agreement;
 - (c) was disclosed to the Bidder by a third party who was under no obligation of confidence in respect thereof;
5. The Bidder further undertakes that the South African Bureau of Standards retains ownership of all Intellectual property rights on all material and processes developed that relate to the service provided for

and on its behalf by the Bidder. The Bidder undertakes to transfer all said Intellectual Property Rights, whether registered and/or unregistered, to the SABS, including undertaking to sign all forms necessary to affect such transfer.

6. The Bidder acknowledges that the confidentiality obligations extend from the signature of this agreement and survive the termination of the tender process, whether the Bidder is successful or not.

IN WITNESS WHEREOF the parties hereto have executed this agreement in duplicate.

Signed at.....on this.....day of2024

On behalf of the South African Bureau of Standards (signature)**Tintswalo Nyathi (Procurement)**

Witness 1. Witness 2.

Signed at..... on this..... day of2024

Signed on behalf of the Bidder, duly authorized thereto..... (signature)

..... (name) (title)

Witness 1. Witness 2.

To: Tenders.Tintswalo@sabs.co.za

Appendix F

SABS STANDARD TERMS AND CONDITIONS

Bidders must sign the terms and conditions to indicate acceptance thereof. Should the bidder have a variation/s, these must be submitted as Annexure F1 indicating the clause number, the rational for not accepting that specific clause, and provide an alternative clause.

<https://www.sabs.co.za/Procurement/docs/SABS%20STANDARD%20TERMS%20AND%20CONDITIONS%20FOR%20PROCUREMENT%20OF%20GOODS%20AND%20SERVICES....pdf>

Annexure G

Appendix H – BBBEE Certificate/Sworn Affidavit (Specific Goal point)

Appendix H

Quotation (Rate)

**Appendix I
Management Summary**

Appendix J

Statement of Compliance with the Request for Proposal

Company Name: _____

Proposed Service: _____

It is hereby confirmed that the proposal response to the SABS' RFP is fully compliant with all points with the exception of the specific issues outlined below:

Signed: _____ (Authorised Signatory)

Name: _____

Position: _____

Date: _____

Appendix K

Page 2 of the tender document

Appendix L

AUDITED FINANCIAL STATEMENT

Appendix M

Request for Proposal Enquiry

To: Tintswalo.nyathi@sabs.co.za

From: _____

Questions:

Answers:

To: Tintswalo.Nyathi@sabs.co.za

PREFERENCE POINTS CLAIM FORM IN TERMS OF THE PREFERENTIAL PROCUREMENT REGULATIONS 2022

This preference form must form part of all tenders invited. It contains general information and serves as a claim form for preference points for specific goals.

NB: BEFORE COMPLETING THIS FORM, TENDERERS MUST STUDY THE GENERAL CONDITIONS, DEFINITIONS, AND DIRECTIVES APPLICABLE IN RESPECT OF THE TENDER AND PREFERENTIAL PROCUREMENT REGULATIONS, 2022

1. GENERAL CONDITIONS

1.1 The following preference point systems are applicable to invitations to tender:

- the 80/20 system for requirements with a Rand value of up to R50 000 000 (all applicable taxes included); and
- the 90/10 system for requirements with a Rand value above R50 000 000 (all applicable taxes included).

1.2 **To be completed by the organ of state**

a) The applicable preference point system for this tender is the **80/20** preference point system.

1.3 Points for this tender (even in the case of a tender for income-generating contracts) shall be awarded for:

- (a) Price; and
- (b) Specific Goals.

1.4 **To be completed by the organ of state:**

The maximum points for this tender are allocated as follows:

	POINTS
PRICE	80
SPECIFIC GOALS	20
Total points for Price and SPECIFIC GOALS	100

1.5 Failure on the part of a tenderer to submit proof or documentation required in terms of this tender to claim points for specific goals with the tender, will be interpreted to mean that preference points for specific goals are not claimed.

1.6 The organ of state reserves the right to require a tenderer, either before a tender is adjudicated or at any time subsequently, to substantiate any claim regarding preferences, in any manner required by the organ of state.

2. DEFINITIONS

- (a) **“tender”** means a written offer in the form determined by an organ of state in response to an invitation to provide goods or services through price quotations, competitive tendering process or any other method envisaged in legislation;
- (b) **“price”** means an amount of money tendered for goods or services, and includes all applicable taxes less all unconditional discounts;

- (c) **“rand value”** means the total estimated value of a contract in Rand, calculated at the time of bid invitation, and includes all applicable taxes;
- (d) **“tender for income-generating contracts”** means a written offer in the form determined by an organ of state in response to an invitation for the origination of income-generating contracts through any method envisaged in legislation that will result in a legal agreement between the organ of state and a third party that produces revenue for the organ of state, and includes, but is not limited to, leasing and disposal of assets and concession contracts, excluding direct sales and disposal of assets through public auctions; and
- (e) **“the Act”** means the Preferential Procurement Policy Framework Act, 2000 (Act No. 5 of 2000).

3. FORMULAE FOR PROCUREMENT OF GOODS AND SERVICES

3.1. POINTS AWARDED FOR PRICE

3.1.1 THE 80/20 OR 90/10 PREFERENCE POINT SYSTEMS

A maximum of 80 or 90 points is allocated for price on the following basis:

80/20	or	90/10
$Ps = 80 \left(1 - \frac{Pt - Pmin}{Pmin} \right)$	or	$Ps = 90 \left(1 - \frac{Pt - Pmin}{Pmin} \right)$

Where

- Ps = Points scored for price of tender under consideration
- Pt = Price of tender under consideration
- Pmin = Price of lowest acceptable tender

3.2. FORMULAE FOR DISPOSAL OR LEASING OF STATE ASSETS AND INCOME GENERATING PROCUREMENT

3.2.1. POINTS AWARDED FOR PRICE

A maximum of 80 or 90 points is allocated for price on the following basis:

80/20	or	90/10
$Ps = 80 \left(1 + \frac{Pt - Pmax}{Pmax} \right)$	or	$Ps = 90 \left(1 + \frac{Pt - Pmax}{Pmax} \right)$

Where

- Ps = Points scored for price of tender under consideration
- Pt = Price of tender under consideration
- Pmax = Price of highest acceptable tender

4. POINTS AWARDED FOR SPECIFIC GOALS

- 4.1. In terms of Regulation 4(2); 5(2); 6(2) and 7(2) of the Preferential Procurement Regulations, preference points must be awarded for specific goals stated in the tender. For the purposes of this tender, the tenderer will be allocated points based on the goals stated in Table 1 below as may be supported by proof/documentation stated in the conditions of this tender:
- 4.2. In cases where organs of state intend to use Regulation 3(2) of the Regulations, which states that, if it is unclear whether the 80/20 or 90/10 preference point system applies, an organ of state must, in the tender

documents, stipulate in the case of—

- (a) an invitation for tender for income-generating contracts, that either the 80/20 or 90/10 preference point system will apply and that the highest acceptable tender will be used to determine the applicable preference point system; or
- (b) any other invitation for tender, that either the 80/20 or 90/10 preference point system will apply and that the lowest acceptable tender will be used to determine the applicable preference point system,

then the organ of state must indicate the points allocated for specific goals for both the 90/10 and 80/20 preference point system.

Table 1: Specific goals for the tender and points claimed are indicated per the table below.

(Note to organs of state: Where either the 90/10 or 80/20 preference point system is applicable, corresponding points must also be indicated as such.

Note to tenderers: The tenderer must indicate how they claim points for each preference point system.)

The specific goals allocated points in terms of this tender	Number of points allocated (80/20 system) <i>(To be completed by the organ of state)</i>	Number of points claimed (80/20 system) <i>(To be completed by the tenderer)</i>
100% Black Ownership	20	
At least 51% or more of black ownership	10	
Less than 51% but more than 0% black ownership	5	
0% black ownership	0	

DECLARATION WITH REGARD TO COMPANY/FIRM

4.3. Name of company/firm.....

4.4. Company registration number:

4.5. TYPE OF COMPANY/ FIRM

- Partnership/Joint Venture / Consortium
- One-person business/sole propriety
- Close corporation
- Public Company
- Personal Liability Company
- (Pty) Limited
- Non-Profit Company
- State Owned Company

[TICK APPLICABLE BOX]

4.6. I, the undersigned, who is duly authorized to do so on behalf of the company/firm, certify that the points claimed, based on the specific goals as advised in the tender, qualifies the company/ firm for the preference(s) shown and I acknowledge that:

- i) The information furnished is true and correct;
- ii) The preference points claimed are in accordance with the General Conditions as indicated in paragraph 1 of this form;
- iii) In the event of a contract being awarded as a result of points claimed as shown in paragraphs 1.4 and 4.2, the contractor may be required to furnish documentary proof to the satisfaction of the organ of state that the claims are correct;
- iv) If the specific goals have been claimed or obtained on a fraudulent basis or any of the conditions of the contract have not been fulfilled, the organ of state may, in addition to any other remedy it may have –
 - (a) disqualify the person from the tendering process;
 - (b) recover costs, losses, or damages it has incurred or suffered as a result of that person’s conduct;
 - (c) cancel the contract and claim any damages that it has suffered as a result of having to make less favourable arrangements due to such cancellation;
 - (d) recommend that the tenderer or contractor, its shareholders and directors, or only the shareholders and directors who acted on a fraudulent basis, be restricted from obtaining business from any organ of state for a period not exceeding 10 years, after the *audi alteram partem* (hear the other side) rule has been applied; and
 - (e) forward the matter for criminal prosecution, if deemed necessary.

.....
SIGNATURE(S) OF TENDERER(S)
SURNAME AND NAME:
DATE:
ADDRESS:

PART A

INVITATION TO BID

YOU ARE HEREBY INVITED TO BID FOR REQUIREMENTS OF THE (NAME OF DEPARTMENT/ PUBLIC ENTITY)					
BID NUMBER:	RFP 201313	CLOSING DATE:	18 APRIL 2024	CLOSING TIME:	11:00 AM
DESCRIPTION	MODIFICATION OF AN EXISTING FIRE TEST CHAMBER AT GROENKLOOF				
BID RESPONSE DOCUMENTS MAY BE DEPOSITED IN THE BID BOX SITUATED AT (STREET ADDRESS)					
BIDDING PROCEDURE ENQUIRIES MAY BE DIRECTED TO			TECHNICAL ENQUIRIES MAY BE DIRECTED TO:		
CONTACT PERSON	TINTSWALO NYATHI	CONTACT PERSON	EUNICE DIKOBÉ		
TELEPHONE NUMBER	012 428 6179	TELEPHONE NUMBER	011 238 2370		
E-MAIL ADDRESS	Tintswalo.nyathi@sabs.co.za	E-MAIL ADDRESS	eunice.dikobe@sabs.co.za		
SUPPLIER INFORMATION					
NAME OF BIDDER					
POSTAL ADDRESS					
STREET ADDRESS					
TELEPHONE NUMBER	CODE		NUMBER		
CELLPHONE NUMBER					
E-MAIL ADDRESS					
VAT REGISTRATION NUMBER					
SUPPLIER COMPLIANCE STATUS	TAX COMPLIANCE SYSTEM PIN:		OR	CENTRAL SUPPLIER DATABASE No:	MAAA
B-BBEE STATUS LEVEL VERIFICATION CERTIFICATE	TICK APPLICABLE BOX] <input type="checkbox"/> Yes <input type="checkbox"/> No		B-BBEE STATUS LEVEL SWORN AFFIDAVIT		[TICK APPLICABLE BOX] <input type="checkbox"/> Yes <input type="checkbox"/> No

[A B-BBEE STATUS LEVEL VERIFICATION CERTIFICATE/ SWORN AFFIDAVIT (FOR EMES & QSEs) MUST BE SUBMITTED IN ORDER TO QUALIFY FOR PREFERENCE POINTS FOR B-BBEE]

ARE YOU THE ACCREDITED REPRESENTATIVE IN SOUTH AFRICA FOR THE GOODS /SERVICES /WORKS OFFERED?	<input type="checkbox"/> Yes <input type="checkbox"/> No [IF YES ENCLOSE PROOF]	ARE YOU A FOREIGN BASED SUPPLIER FOR THE GOODS /SERVICES /WORKS OFFERED?	<input type="checkbox"/> Yes <input type="checkbox"/> No [IF YES, ANSWER THE QUESTIONNAIRE BELOW]
---	---	--	---

QUESTIONNAIRE TO BIDDING FOREIGN SUPPLIERS

- IS THE ENTITY A RESIDENT OF THE REPUBLIC OF SOUTH AFRICA (RSA)? YES NO
- DOES THE ENTITY HAVE A BRANCH IN THE RSA? YES NO
- DOES THE ENTITY HAVE A PERMANENT ESTABLISHMENT IN THE RSA? YES NO
- DOES THE ENTITY HAVE ANY SOURCE OF INCOME IN THE RSA? YES NO
- IS THE ENTITY LIABLE IN THE RSA FOR ANY FORM OF TAXATION? YES NO

IF THE ANSWER IS "NO" TO ALL OF THE ABOVE, THEN IT IS NOT A REQUIREMENT TO REGISTER FOR A TAX COMPLIANCE STATUS SYSTEM PIN CODE FROM THE SOUTH AFRICAN REVENUE SERVICE (SARS) AND IF NOT REGISTER AS PER 2.3 BELOW.

SBD1

PART B

TERMS AND CONDITIONS FOR BIDDING

1. BID SUBMISSION:
1.1. BIDS MUST BE DELIVERED BY THE STIPULATED TIME TO THE CORRECT ADDRESS. LATE BIDS WILL NOT BE ACCEPTED FOR CONSIDERATION.
1.2. ALL BIDS MUST BE SUBMITTED ON THE OFFICIAL FORMS PROVIDED– (NOT TO BE RE-TYPED) OR IN THE MANNER PRESCRIBED IN THE BID DOCUMENT.
1.3. THIS BID IS SUBJECT TO THE PREFERENTIAL PROCUREMENT POLICY FRAMEWORK ACT, 2000 AND THE PREFERENTIAL PROCUREMENT REGULATIONS, 2017, THE GENERAL CONDITIONS OF CONTRACT (GCC) AND, IF APPLICABLE, ANY OTHER SPECIAL CONDITIONS OF CONTRACT.
1.4. THE SUCCESSFUL BIDDER WILL BE REQUIRED TO FILL IN AND SIGN A WRITTEN CONTRACT FORM (SBD7).
2. TAX COMPLIANCE REQUIREMENTS
2.1 BIDDERS MUST ENSURE COMPLIANCE WITH THEIR TAX OBLIGATIONS.
2.2 BIDDERS ARE REQUIRED TO SUBMIT THEIR UNIQUE PERSONAL IDENTIFICATION NUMBER (PIN) ISSUED BY SARS TO ENABLE THE ORGAN OF STATE TO VERIFY THE TAXPAYER’S PROFILE AND TAX STATUS.
2.3 APPLICATION FOR TAX COMPLIANCE STATUS (TCS) PIN MAY BE MADE VIA E-FILING THROUGH THE SARS WEBSITE WWW.SARS.GOV.ZA.
2.4 BIDDERS MAY ALSO SUBMIT A PRINTED TCS CERTIFICATE TOGETHER WITH THE BID.
2.5 IN BIDS WHERE CONSORTIA / JOINT VENTURES / SUB-CONTRACTORS ARE INVOLVED, EACH PARTY MUST SUBMIT A SEPARATE TCS CERTIFICATE / PIN / CSD NUMBER.
2.6 WHERE NO TCS PIN IS AVAILABLE BUT THE BIDDER IS REGISTERED ON THE CENTRAL SUPPLIER DATABASE (CSD), A CSD NUMBER MUST BE PROVIDED.
2.7 NO BIDS WILL BE CONSIDERED FROM PERSONS IN THE SERVICE OF THE STATE, COMPANIES WITH DIRECTORS WHO ARE PERSONS IN THE SERVICE OF THE STATE, OR CLOSE CORPORATIONS WITH MEMBERS PERSONS IN THE SERVICE OF THE STATE.”

NB: FAILURE TO PROVIDE / OR COMPLY WITH ANY OF THE ABOVE PARTICULARS MAY RENDER THE BID INVALID.

SIGNATURE OF BIDDER:

CAPACITY UNDER WHICH THIS BID IS SIGNED:

(Proof of authority must be submitted e.g. company resolution)

DATE: