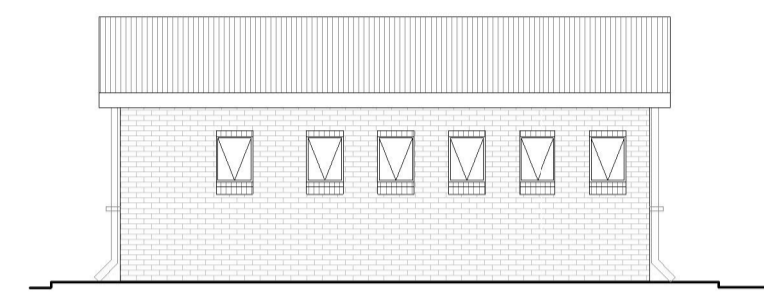
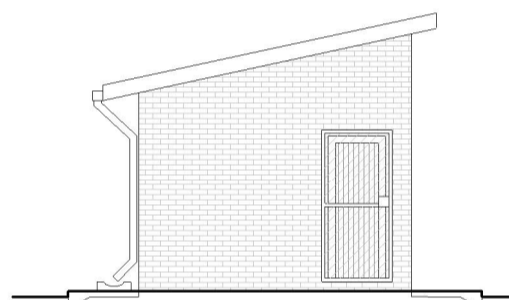


GRD5 TYPE:
FRONT ELEVATION:
SCALE 1:100

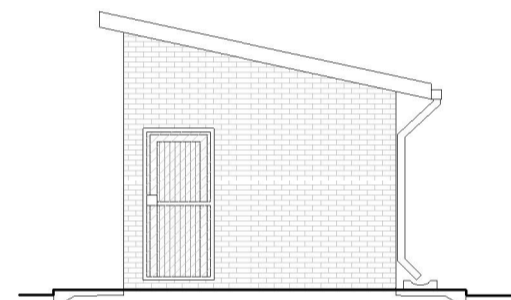


GRD5 TYPE :
BACK ELEVATION:
SCALE 1:100

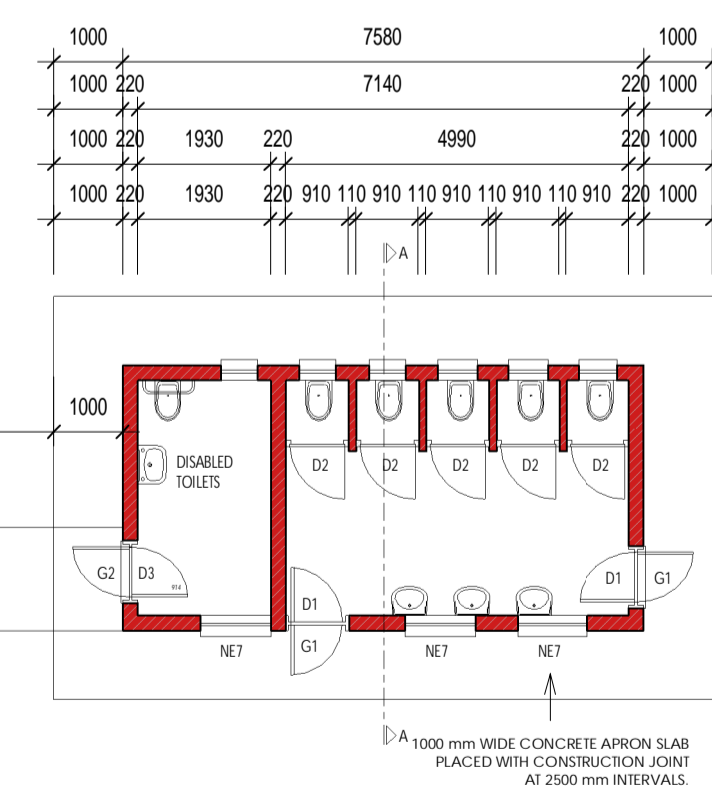


GRD5 TYPE:
SIDE ELEVATION:
SCALE 1:100

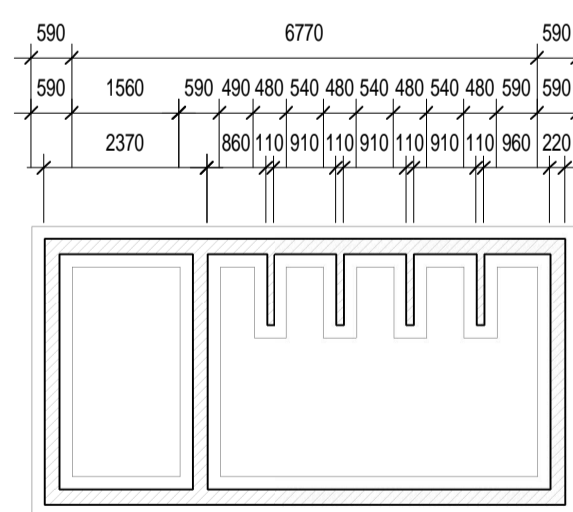
GRD5 TYPE:
SECTION A-A:
SCALE 1:50



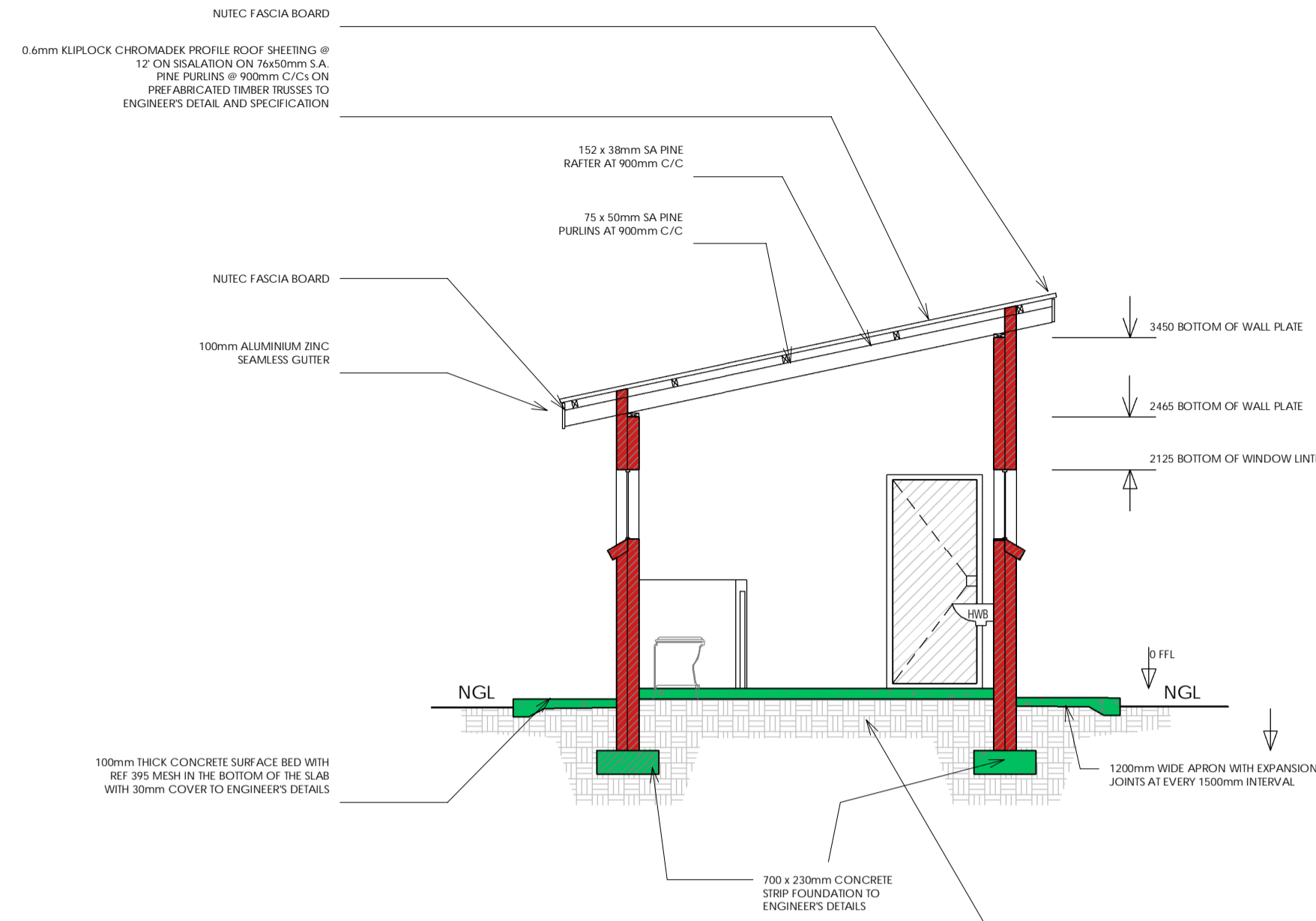
GRD5 TYPE:
SIDE ELEVATION:
SCALE 1:100



GRD5 TYPE:
FLOOR PLAN:
SCALE 1:100

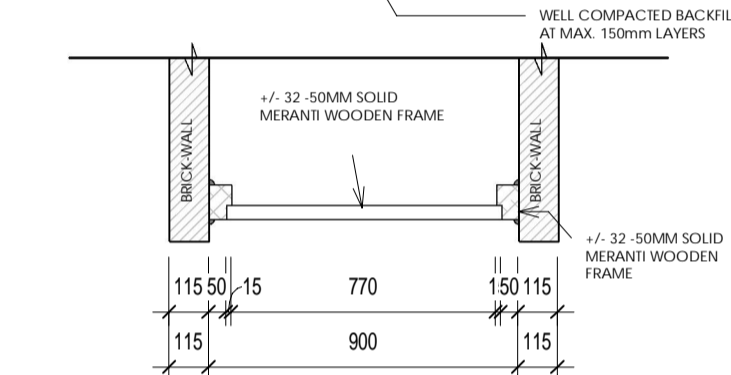


GRD5 TYPE:
FOUNDATION PLAN:
SCALE 1:100

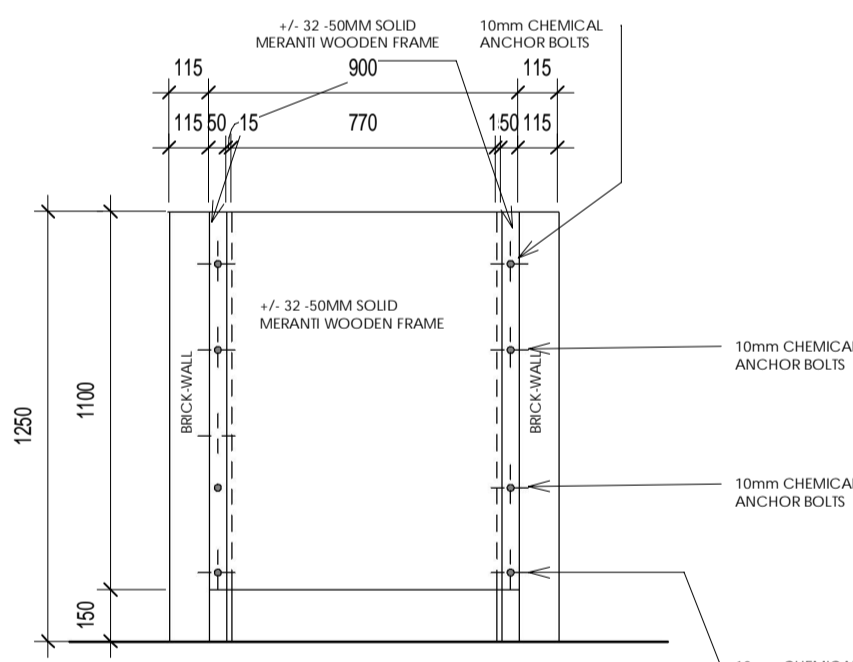


GRD5 TYPE:
SECTION A-A:
SCALE 1:50

D3 DOOR TYPE DETAIL:
PLAN:
SCALE 1:20



D3 DOOR TYPE DETAIL:
ELEVATION:
SCALE 1:20



WINDOW NO:	N2
CATALOGUE:	NE7
FRAME:	1022 x 654mm HIGH STANDARD STEEL WINDOW FRAME
FRAME FINISH:	SPOT PRIMING DEFECTS IN PRE-PRIME SURFACE WITH ZINC CHROMATE PRIMER & APPLY ONE UNIVERSAL UNDER COAT & TWO COATS EPMP GOLDEN BROWN GLOSS ENAMEL PAINT ON STEEL
GLAZING:	6.28mm OBSCURE SAFETY GLASS
NO REQUIRED:	2

WINDOW NO:	N1
CATALOGUE:	NE1
FRAME:	533 x 654mm HIGH STANDARD STEEL WINDOW FRAME
FRAME FINISH:	SPOT PRIMING DEFECTS IN PRE-PRIME SURFACE WITH ZINC CHROMATE PRIMER & APPLY ONE UNIVERSAL UNDER COAT & TWO COATS EPMP GOLDEN BROWN GLOSS ENAMEL PAINT ON STEEL
GLAZING:	6.28mm OBSCURE SAFETY GLASS
NO REQUIRED:	6

BUGLAR DOOR	TYPE G2:
FRAME TYPE:	EXTERNAL TOILET BLOCK
FRAME FINISH:	PURPOSE MADE SQUARE HOLLOW SECTION MILD STEEL SECURITY GATE
DOOR LEAF:	1xCOAT ZINC CHROMATE PRIMER MINIMUM 2 x COATS GLOSS ENAMEL (EXTERNAL QUALITY)
LEAF FINISH:	50x38x1.6mm M.S. RECTANGULAR HOLLOW SECTION FRAME
LOCK:	38x28x1.6mm RECTANGULAR HOLLOW SECTION FRAME WITH 25x24 x 4 REINFORCERS AT 100mm CENTERS AT A 45° ANGLE COLOUR 'BC'
IRONMONGERY:	SECURITY DOUBLE THROW DEAD LOCK (NO LATCH)

BUGLAR DOOR	TYPE G1:
POSITION:	EXTERNAL TOILET BLOCK
DOOR TYPE:	PURPOSE MADE SQUARE HOLLOW SECTION MILD STEEL SECURITY GATE
DOOR FINISH:	1xCOAT ZINC CHROMATE PRIMER MINIMUM 2 x COATS GLOSS ENAMEL (EXTERNAL QUALITY)
FRAME:	50x38x1.6mm M.S. RECTANGULAR HOLLOW SECTION FRAME
FRAME FINISH:	1xCOAT ZINC CHROMATE PRIMER MINIMUM 2 x COATS GLOSS ENAMEL (EXTERNAL QUALITY)
DOOR:	38x28x1.6mm RECTANGULAR HOLLOW SECTION FRAME WITH 25x24 x 4 REINFORCERS AT 100mm CENTERS AT A 45° ANGLE COLOUR 'BC'
IRONMONGERY:	SECURITY DOUBLE THROW DEAD LOCK (NO LATCH)

GENERAL NOTES AND SPECIFICATIONS:

- Use dimensions provided and do not scale drawing.
- All work to comply with SANS, PW371 and SABS.
- All dimensions, levels and positions to be verified on site prior to construction.
- All concrete work to be as per Engineer's details and specifications.
- All pits to face North.
- All brickwork have brickforce at every 2nd course in pit lining and 3rd course in superstructure.

- PIT EXCAVATION**
- All stages of pit excavation to be inspected and approved by Engineer and signed off.
 - All pit lining to be inspected by EnviroLoo Services before slab casting.

COMPACTION OF SURFACES
All ground surfaces receiving concrete floors / slab should be compacted to 150mm layers 93% ModAASHTO density before casting concrete.

- CONCRETE WORKS**
- All concrete to be as per Engineer's details and specifications.
 - 25 MPa strength concrete to be used throughout construction. Trial Concrete Mixes: Proportions Concrete Strength at 28 Days 25Mpa: 1 : 2 : 2 (mix proportion by volume) 1 bag cement : 0.08m3 Sand : 0.09m3 Stone (Volume/Bag) 385 kg cement : 820 kg sand : 960 kg stone (Mass/m3)
 - Pre-cast concrete lintols to be used as support under top slab of pit.
 - All concrete aprons to be 1000mm wide. MORTAR Mixed proportions to be: 1 cement : 3 sand (i.e. 1 bag cement : 3 wheelbarrows (37 litres) sand)

- BRICKWORK Sub-structure**
- All pit lining / foundation brickwork to be solid NFP clay brick.
 - All internal surface of pit lining to be painted with two coats black epoxy paint installing Enviro-Loo units.

- Super-structure**
- All external walls / partitions to be of clay face brick to SABS quality.
 - All cubicle partition walls to be 3 courses above door height.
 - All brickwork above door openings should have brickforce on every course at least 3 courses.
 - Air bricks: Standard 230X152mm terra-colls vermin proofed louvered air grating to be used above all window openings.

- ROOF SHEETING**
- 0.6mm kliplock chromadek roof sheeting.

- ROOF TIMBER / CEILING**
- All roof timbers to be machined SABS treated wood with three coats of approved wood preservative.
 - Timber connections (Hurricane Clips) are required all interconnections between timber rafters and purlins.
 - Sisalation is to be applied interval under all roof surfaces.

- METALWORK**
- All metalwork should be primed before installation.
 - All steel window should have 6x20mm flat bar burglar proofing.

- PLUMBING**
- Double concrete wash trough to be used.
 - All wash troughs should be connected to the school's water supply system and the waste water should be piped to a soakaway.
 - The soakaway should be as per Engineer's detail and position to be determined on site.
 - Only 20mm and galvanised pipework should be used as connection from wall to the discharge points.

- GLAZING**
- 6.28mm obscure safety glass
 - Stainless steel mirrors size 350x450mm high.

- PAINTING**
- All paintwork to comply with SABS and PW371 specification.
 - All steel window and door frames including doors and fascia / barge boards to be discharge points.

ENTRANCE DOOR	TYPE D1:
FRAME TYPE:	SINGLE REBATE STEEL FRAME TO FIT 220mm WALL (D1)
FRAME FINISH:	PRIME AND PAINT UNDERCOAT AND 2x COATS GLOSS ENAMEL COLOUR 'BC'
DOOR LEAF:	40mm FRAMED LEDGED AND BRACED DOOR SIZE 813x2032mm INCLUDING EXTERNAL WEATHER BAR
LEAF FINISH:	UNDER COAT AND MINIMUM 2 COATS GLOSS ENAMEL COLOUR 'BC'
LOCK:	1 LEVER MORRICE LOCK SET
IRONMONGERY:	100mm BRACE CABIN HOOK

ENTRANCE DOOR	TYPE D2:
FRAME TYPE:	SOLID HARDWOOD TIMBER FRAME TO FIT 220mm WALL (D2)
FRAME FINISH:	2 COATS APPLICATION OF VARNISH
DOOR LEAF:	50mm FRAMED LEDGED AND BRACED DOOR SIZE 804x1000mm INCLUDING EXTERNAL WEATHER BAR
LEAF FINISH:	2 COATS APPLICATION OF VARNISH
LOCK:	1 LEVER MORRICE LOCK SET
IRONMONGERY:	100mm BRACE CABIN HOOK

ENTRANCE DOOR	TYPE D3:
FRAME TYPE:	SINGLE REBATE STEEL DOOR FRAME - SIZE 813x59mm
FRAME FINISH:	PRIME AND PAINT UNDERCOAT AND 2 COATS GLOSS ENAMEL COLOUR 'BC'
DOOR LEAF:	914x2032mm SOLID HARDWOOD VENER DOORS TO RECEIVE 2 COATS POLYURETHANE VARNISH
LEAF FINISH:	UNDER COAT AND MINIMUM 2 COATS GLOSS ENAMEL COLOUR 'BC'
LOCK:	SABS APPROVED 4 LEVER INDICATOR LOCKSET FITTED ACCORDING TO MANUFACTURERS SPECIFICATIONS. PICKER CABINET HOOK SECURED TO DOOR WITH CATCHING BRACKET AGAINST WALL
IRONMONGERY:	

NO	DATE	AMENDMENT	D.P.W

NOTES:

- ALL DIMENSIONS AND LEVELS ARE TO BE VERIFIED ON SITE. PRIOR TO THE COMMENCEMENT OF SETTING OUT, WORKSHOP DRAWINGS OR CONSTRUCTION, FIGURED DIMENSIONS TO BE USED IN PREFERENCE TO SCALED DIMENSIONS. ANY DISCREPANCIES, ERRORS AND OMISSIONS ARE TO BE REPORTED TO THE ARCHITECT IMMEDIATELY PRIOR TO COMMENCING WITH ANY WORK.
- ALL SHOP DRAWINGS ARE TO BE SUBMITTED TO THE ARCHITECT FOR APPROVAL PRIOR TO MANUFACTURE OR INSTALLATION.
- ALL WORK IS TO BE EXECUTED IN STRICT ACCORDANCE WITH SANS CODES, BY-LAWS AND REGULATIONS OF THE LOCAL AUTHORITY, WHERE REQUIRED. ARCHITECTURAL DRAWINGS ARE TO BE READ IN CONJUNCTION WITH THE RELEVANT CONSULTANT'S DRAWINGS. COPYRIGHT AND RIGHT OF REPRODUCTION OF THIS DRAWING OR ANY PORTION THEREOF IS RESERVED AND REMAINS WITH GSA.
- ALL CONSTRUCTION WORK MUST COMPLY WITH THE LAWS OF THE LAND, SANS 1040, THE NATIONAL BUILDING STANDARDS AND LOCAL AUTHORITY BY LAWS AND MODEL PREAMBLES.

KEYPLAN:

DEPARTMENT:

THE MVULA TRUST
A leading developmental NGO

SPONSOR:

COPYRIGHT VESTS IN THE DEPARTMENT OF PUBLIC WORKS

DWG FILE NAME:

ARCHITECT:

71 BUFFALO CR ST | 31 KINGFISHER | WOODLANDS
BENDOR 0699 TEL: 082 215 5937

CONSULTANT/DEPARTMENTAL

DIATHO CONSULTING (PTY) LTD
OFFICE NO: 2, IT PARK
15 PIERRE STREET
BENDOR 0699
TEL : 087 510 5242
CELL : 064 526 9369
FAX : 086 415 6426

DISCIPLINE: **CONTRACTOR:**

LOGO:

WCS NUMBER:
SEKABATE PRIMARY SCHOOL

LIMPOPO PROVINCE

DRAWING TITLE:
WATER-BORNE ABLUTIONS:

GRD5 TYPE:
REF NO: - **DRAWN BY: K.M**

SCALE: 1:100 **CHECKED BY: K.M**

DATE: 09.2023 **VERIFIED BY: K.M**

TYPE NUMBER: **GRD5**

DWG NUMBER: **W100:GRD5**