

ALL DIMENSIONS TO BE CHECKED ON SITE PRIOR WORK COMMENCEMENTS. ANY DISCREPANCIES TO THE WORKS ARE TO BE BROUGHT TO THE PROJECT MANAGER'S ATTENTION PRIOR IMPLEMENTATION THEREOF.

Rev	Description	Date

IMPLEMENTING AGENT

 A leading developmental NGO

SIGNATURE.....
 DATE.....

CLIENT

 DEPARTMENT OF
EDUCATION

CONSULTANT

 "Supplies With Integrity"

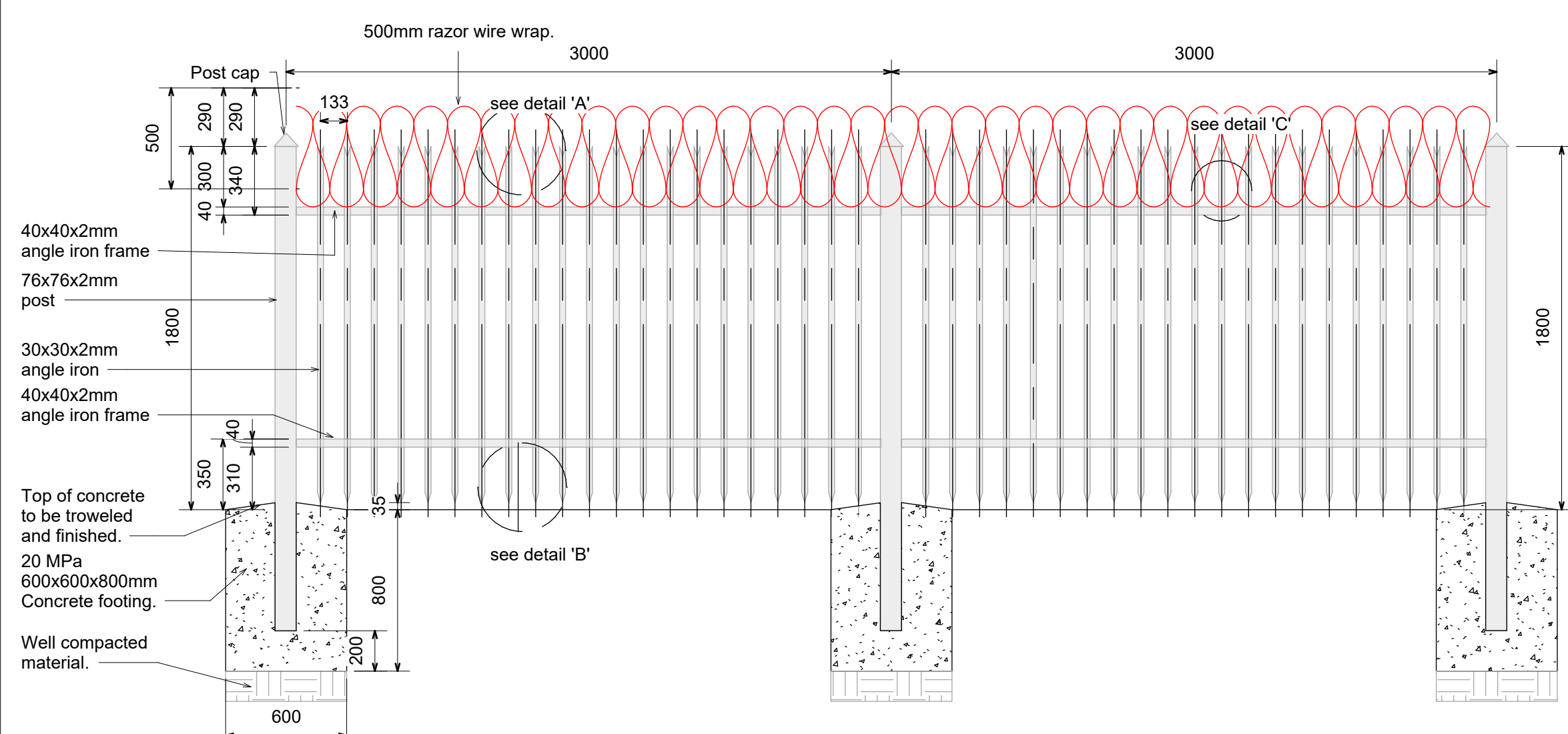
CODE	SUITABILITY DESCRIPTION
STATUS	PURPOSE OF ISSUE

PROJECT
**REHLAHLENG
 SPECIAL SCHOOL**

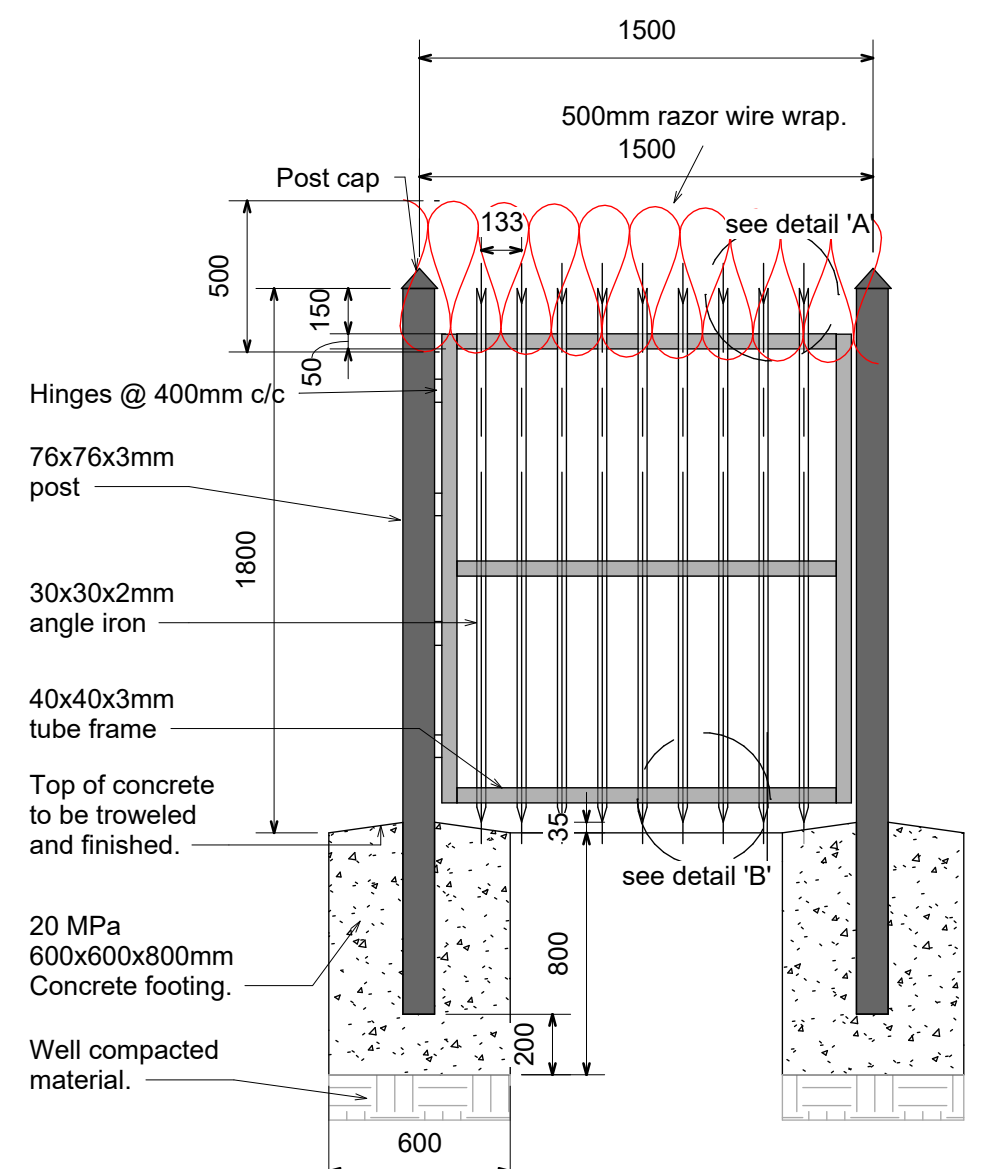
TITLE
**FENCING
 ELEVATIONS**

CLIENT
L.D.o.E

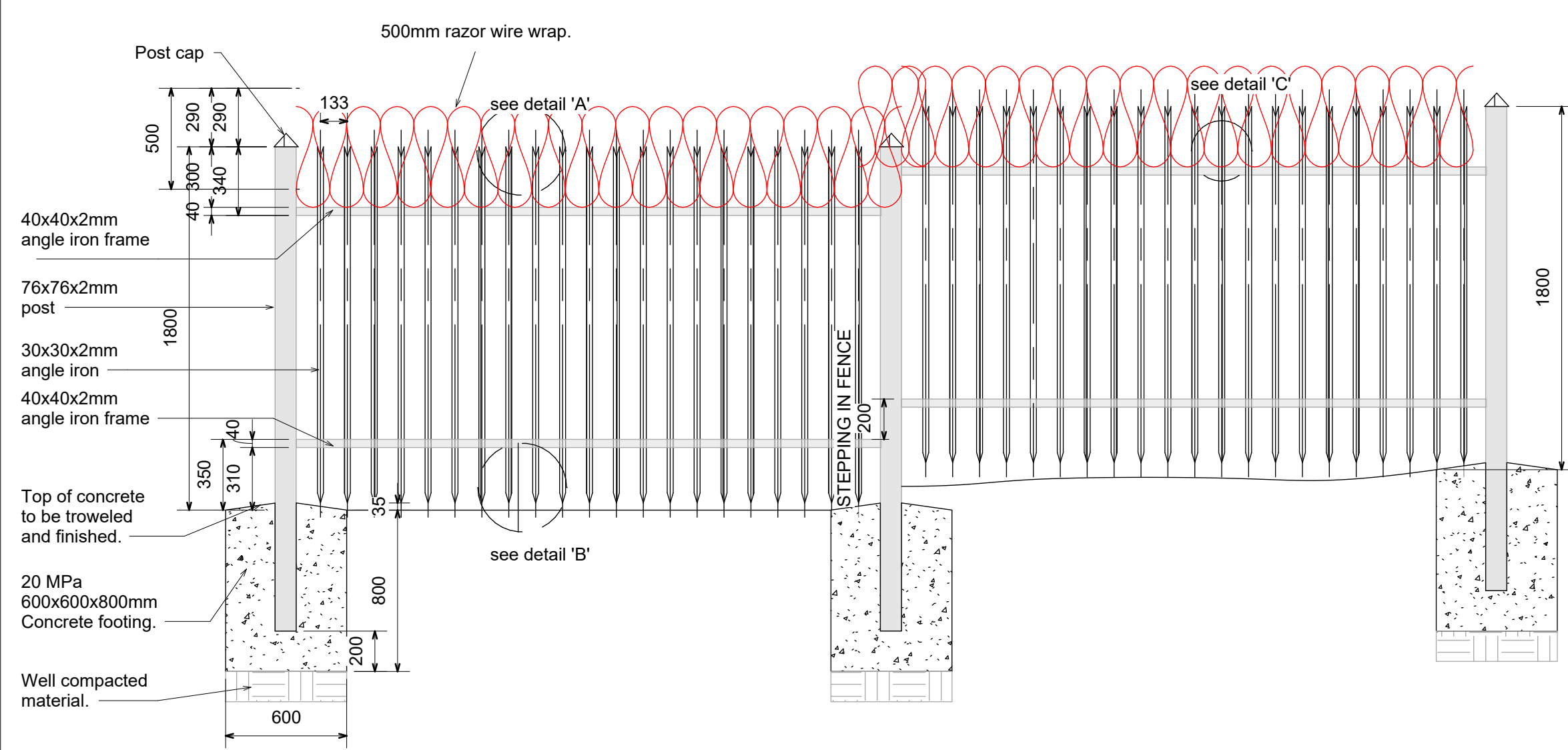
DRAWN BY B.S	CHECKED BY B.S	DATE 10/05/23
SCALE (@ A1) 1 : 25	PROJECT NUMBER LDPE 2023/2024	
DRAWING NUMBER F01	REV	



STEEL PALISADE FENCING (FLAT GROUND)

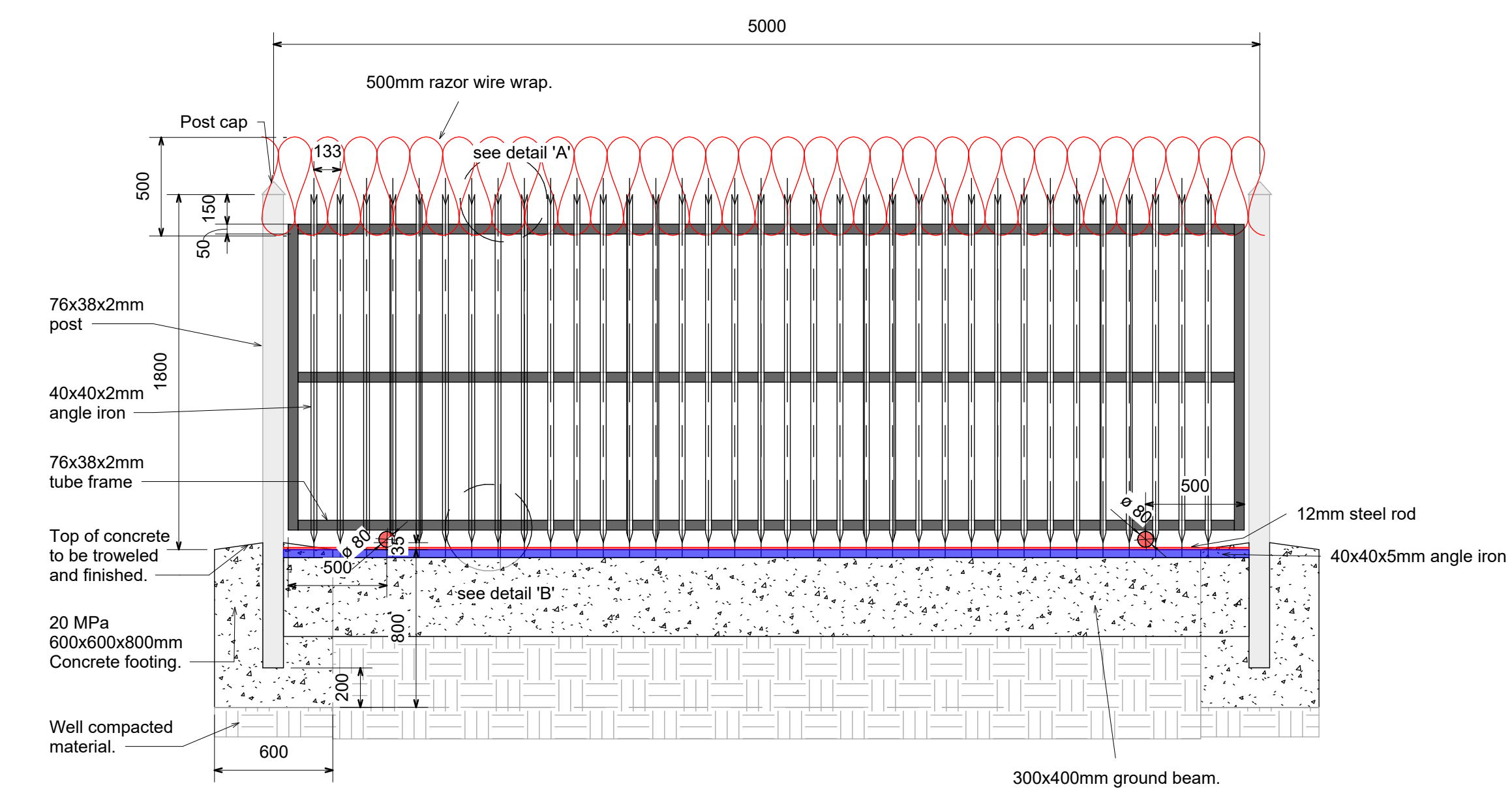


PEDESTRIAN GATE ELEVATION

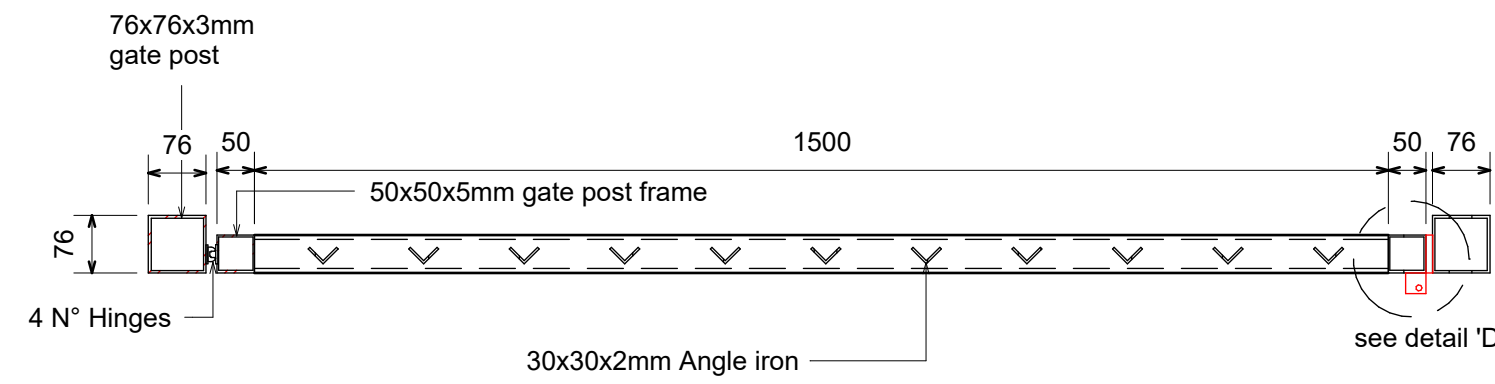


**STEEL PALISADE FENCING (SLOPING GROUND)
 FENCE ELEVATION**

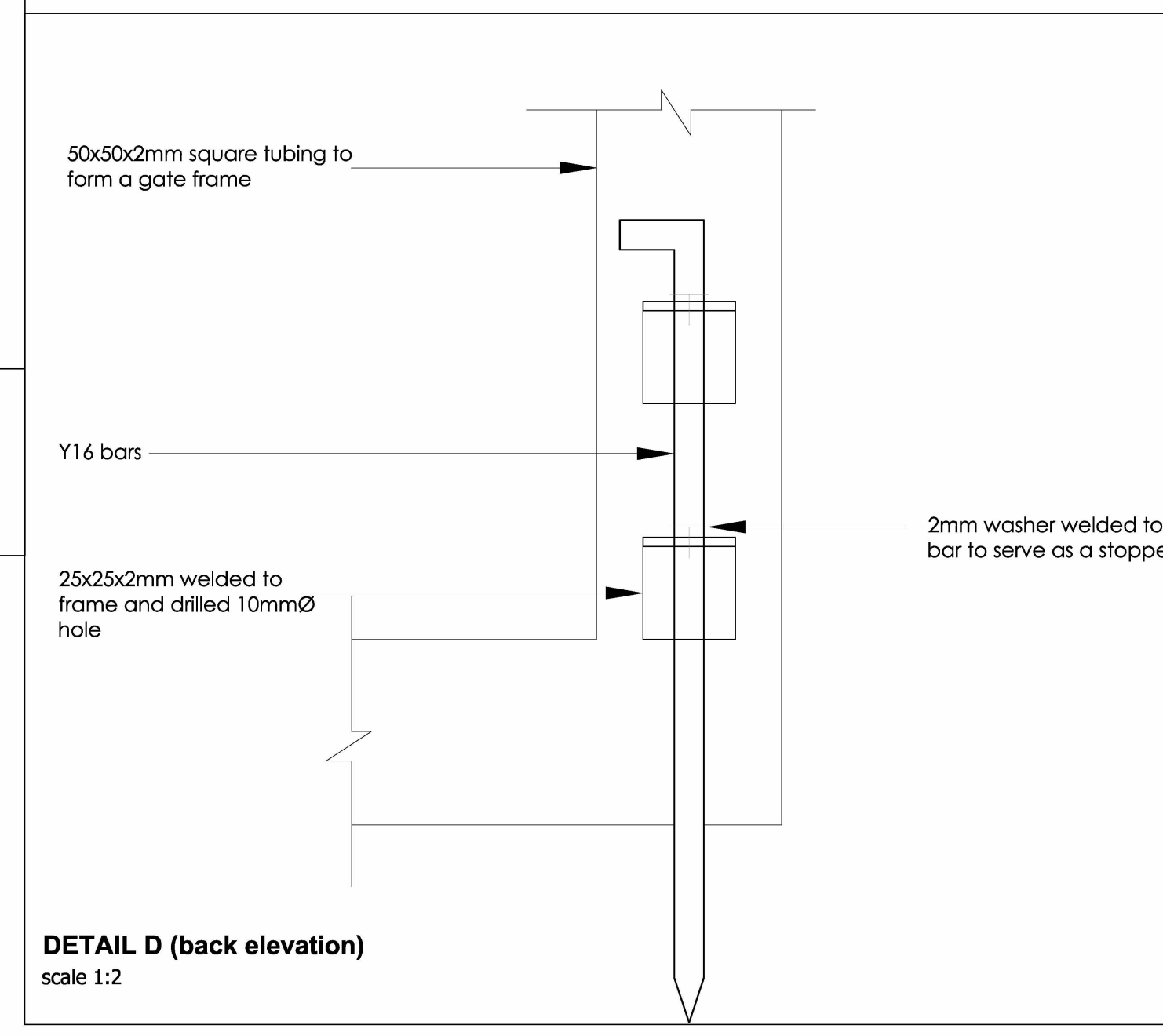
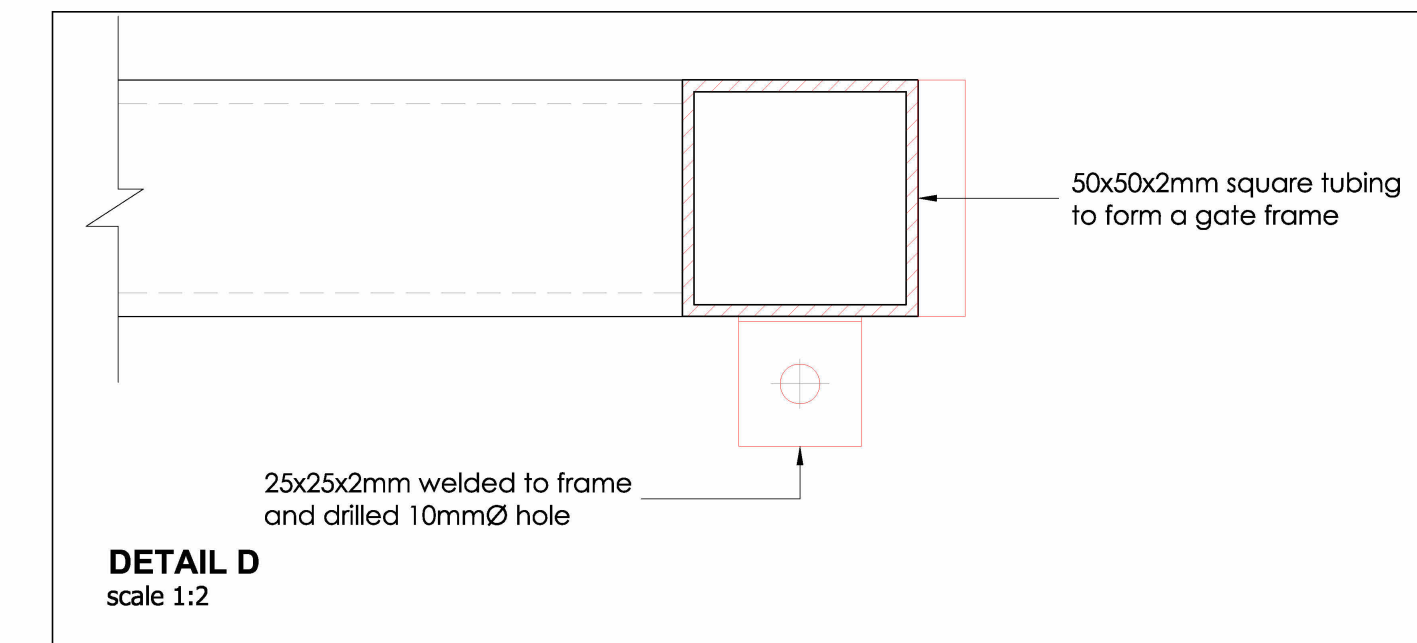
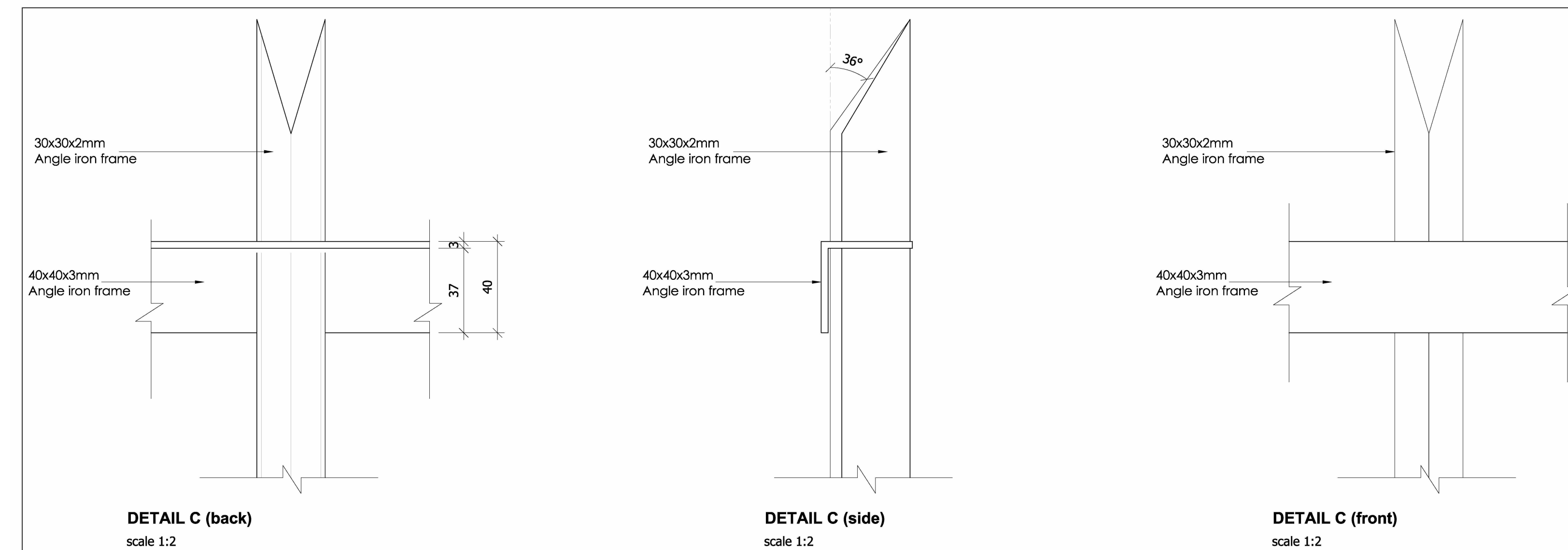
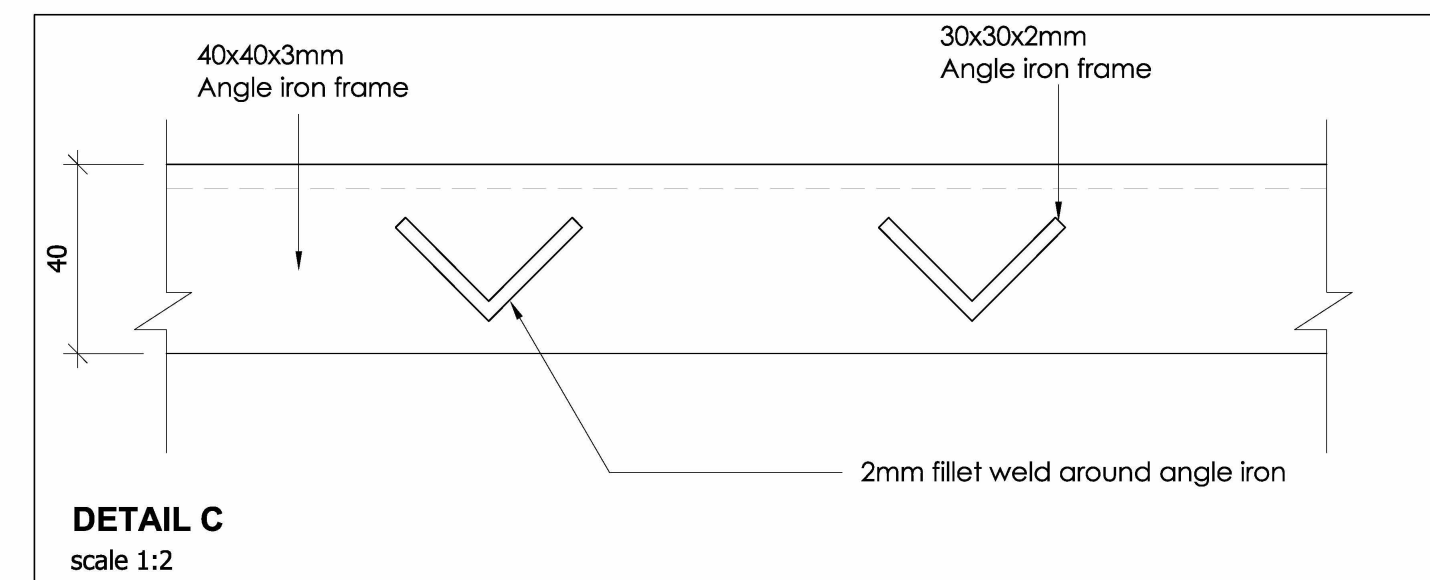
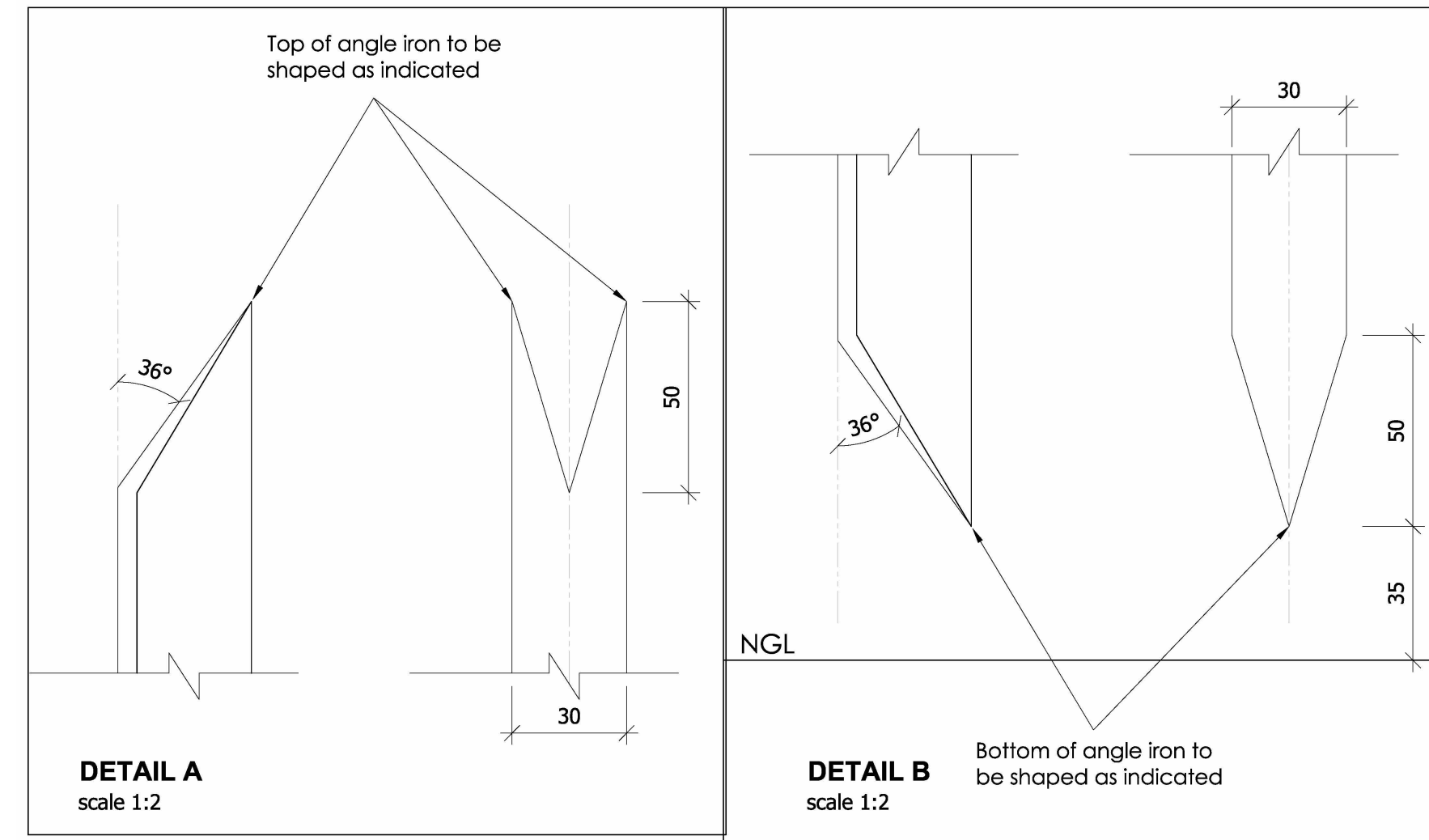
1
 1 : 25



VEHICLE GATE ELEVATION



1 Swing Gate Plan View
1 : 10



GATE & FENCE DETAIL.
N.T.S

ALL DIMENSIONS TO BE CHECKED ON SITE PRIOR WORK COMMENCEMENTS. ANY DISCREPANCIES TO THE WORKS ARE TO BE BROUGHT TO THE PROJECT MANAGER'S ATTENTION PRIOR IMPLEMENTATION THEREOF.

Rev	Description	Date

IMPLEMENTING AGENT
THE MVULA TRUST
A leading developmental NGO

SIGNATURE.....
DATE.....

CLIENT
LIMPOPO
PROVINCIAL GOVERNMENT
REPUBLIC OF SOUTH AFRICA
DEPARTMENT OF
EDUCATION

CONSULTANT
MG
MOPEDITHWI SUPPLY(PTY)LTD
"Supplies With Integrity"

CODE	SUITABILITY DESCRIPTION
STATUS	PURPOSE OF ISSUE

PROJECT **REHLAHLENG SPECIAL SCHOOL**

TITLE
GATE & FENCE DET.

CLIENT
L.D.o.E

DRAWN BY B.S	CHECKED BY B.S	DATE 10/05/23
SCALE (@ A1) As indicated	PROJECT NUMBER LDPE 2023/2024	
DRAWING NUMBER F02	REV	