

2,45m LONG FENCING STANDARD TO BE FULLY WELDED TO 25 x 25 x 3mm ANGLE FRAME

5mm THICK RED LINE SEPARATING THE TEXT

4mm DIA HOLE FOR M3 BOLT TO FIX PLATE TO 25 x 25 x 3 mm ANGLE IRON FRAME

LETTERING TO BE AS LARGE AS POSSIBLE COLOUR - RED ; FONT - 'UNIVERSAL' BOLD ON A WHITE BACKGROUND

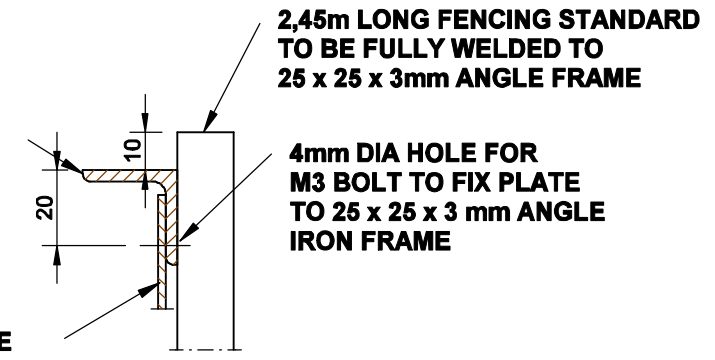
25 x 25 x 3mm ANGLE FRAME FULLY WELDED TO STEEL FENCING STANDARD

ELEVATION

NOTE:- TOP OF FENCING STANDARD TO BE 1,5m ABOVE TERRACE LEVEL AND TO HAVE 300mm SQUARE x 600mm DEEP CONCRETE ANCHOR BLOCK CAST AROUND STANDARD WITH TOP OF CONCRETE AT TERRACE LEVEL

NOTE:- PLATE TO BE EITHER 1,4mm OR 2,0mm THICK 'CHROMADEK', AS INSTRUCTED

25 x 25 x 3mm ANGLE FRAME FULLY WELDED TO STEEL FENCING STANDARD



2,45m LONG FENCING STANDARD TO BE FULLY WELDED TO 25 x 25 x 3mm ANGLE FRAME

4mm DIA HOLE FOR M3 BOLT TO FIX PLATE TO 25 x 25 x 3 mm ANGLE IRON FRAME

'WARNING , PLATE

TYPICAL SECTION

MOD NO.	REVISION	SIGNATURE & DATE
SCHOOL SANITATION PROGRAM LIMPOPO PROVINCE		
LIMPOPO PROVINCIAL DEPARTMENT OF EDUCATION		
		MVULA TRUST 9A LANDROS MARE STR POLOKWANE 0699
		LIMPOPO PROVINCIAL DEPARTMENT OF EDUCATION
WARNING NOTICE BOARD FOR DRINKING WATER		
DRAWN	DRAWING NO.	
CHECKED		MVULA-010-20
SCALE	SCALE	