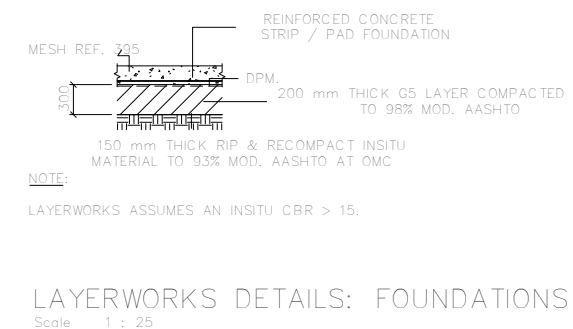
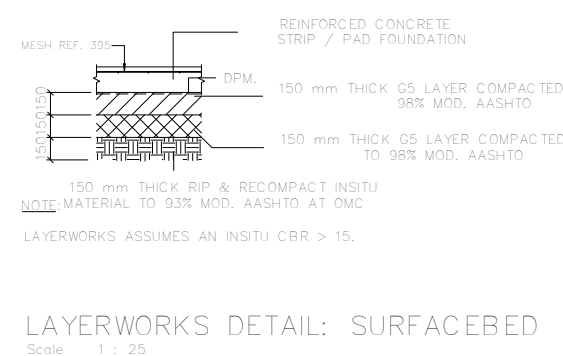


TYPE	DESCRIPTION
SF01	600x300 S.F

LEGEND

TOC TOP OF CONCRETE	CJ CONSTRUCTION JOINT
TOW TOP OF WALL	SJ SAW CUT JOINT
D/S DOWNSTAND CONCRETE	MJ MOVEMENT JOINT
U/S UPSTAND CONCRETE	IJ ISOLATION JOINT
RWP RAINWATER PIPE	FB FULL BORE OUTLET

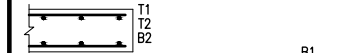


NOTES:

- COVER TO REINFORCEMENT TO BE 25 mm UNLESS OTHERWISE INDICATED.
- LAP LENGTHS TO BE 45 x ϕ .
- ANCHORAGE LENGTHS TO BE 45 x ϕ .
- CONTRACTOR TO ENSURE BOND BREAKER IS USED BETWEEN VERTICAL CONCRETE FACE AND CONCRETE E.G POLYSTYRENE OR SOFT-BOARD
- CONTRACTOR TO ENSURE PLASTIC IS USED BETWEEN BRICK WALLS AND CONCRETE
- CONCRETE TO BE 25MPA

EXAMPLE OF BAR CALL-OFF:

- 20 Y25-63-150 T2
- 20 - NUMBER OF BARS
 Y - TYPE OF REINFORCEMENT
 25 - DIAMETER (mm)
 63 - BAR MARK NUMBER
 150 - SPACING C/C (mm)
 T2 - PLACING DESCRIPTION (SEE BELOW)



LEGEND:

- | | |
|-----------------------------------|------------------------------------|
| NF - NEAR FACE | T - TOP |
| FF - FAR FACE | B - BOTTOM |
| EF - EACH FACE | M - MIDDLE |
| EW - EACH WAY | IF - INSIDE FACE |
| ALT - ALTERNATE | OF - OUTSIDE FACE |
| HOR - HORIZONTAL | STG - STAGGERED |
| TOG - TOGETHER | VERT - CENTRES MEASURED VERTICALLY |
| CTF - CUT TO FIT | HC - HIGH CHAIR |
| CTL - CUT TO LENGTH | |
| U - U-BARS | |
| ABR - ALTERNATE BARS REVERSED | |
| CHC - CONTINUOUS HIGH CHAIR | |
| CJ - CONSTRUCTION JOINT | |
| OCJ - OPTIONAL CONSTRUCTION JOINT | |
| EJ - EXPANSION JOINT | |

SECTION No 01
 DRAWING No 21

No.	DATE	AMENDMENT	BY
0	19/2023	ISSUED FOR CONSTRUCTION	MM



RMC
 QUANTITY SURVEYOR
 28 MOWBRAY ROAD GREENSIDE
 JOHANNESBURG Tel: (+27) 84 492-6028
 EMAIL: rjy@rmcqg.co.za

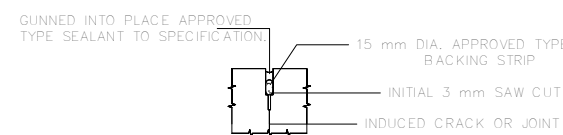
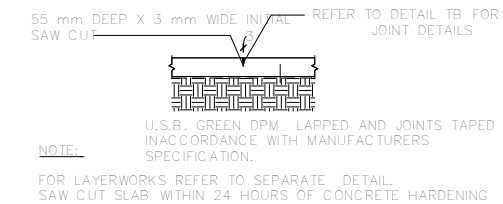
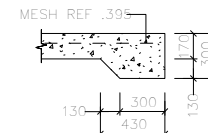
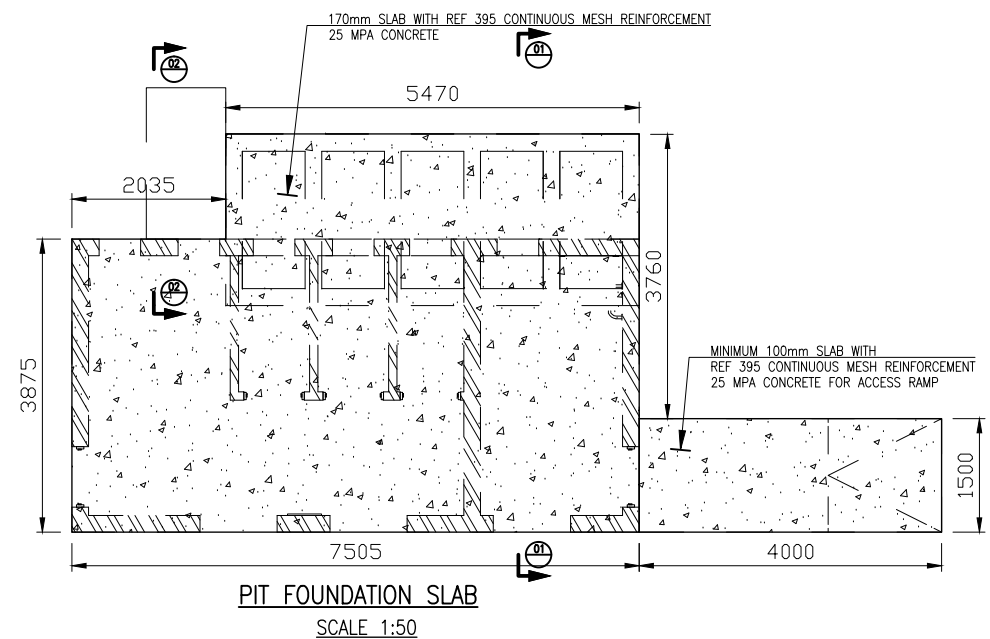
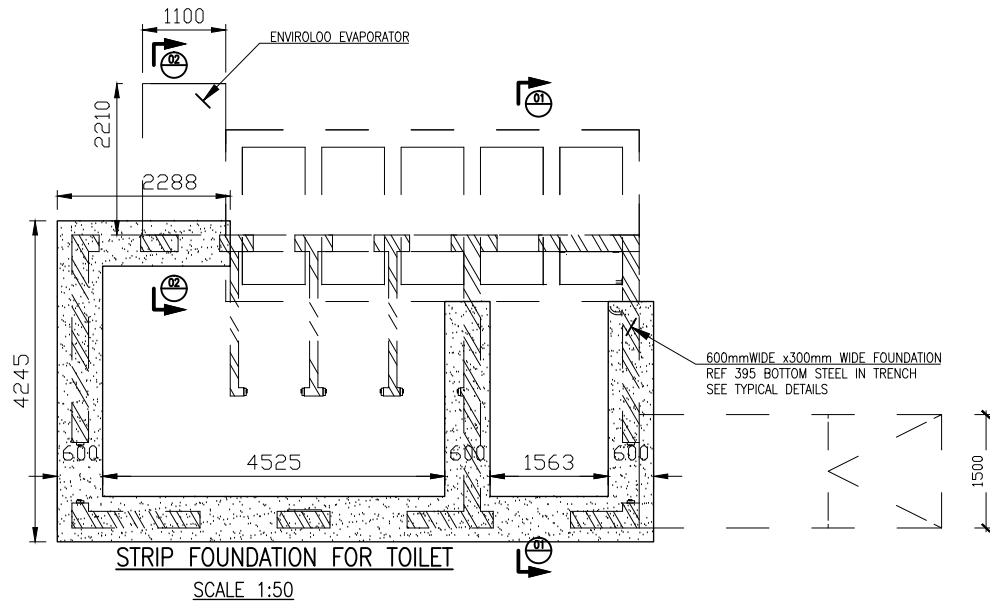
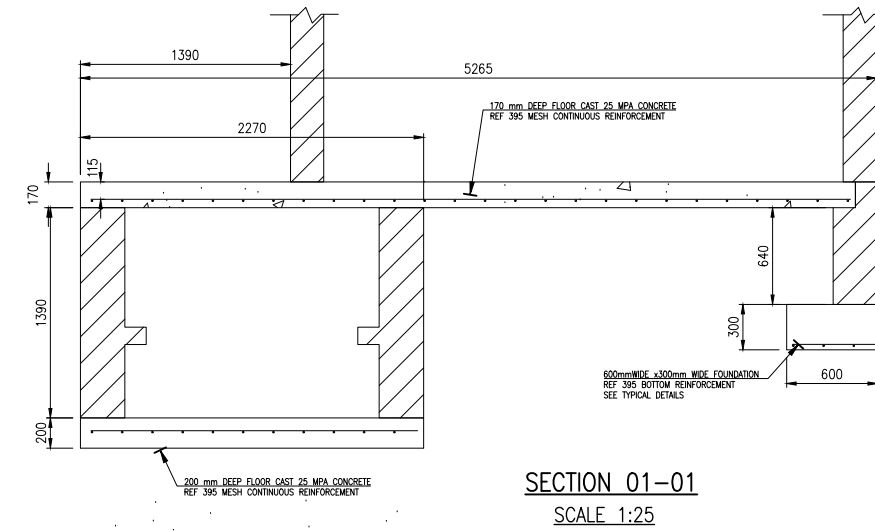
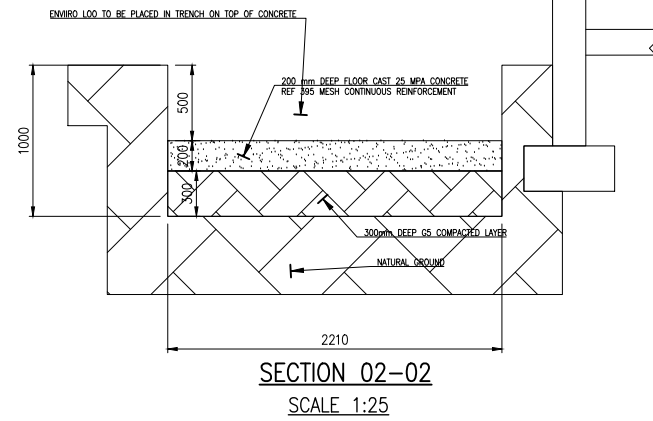
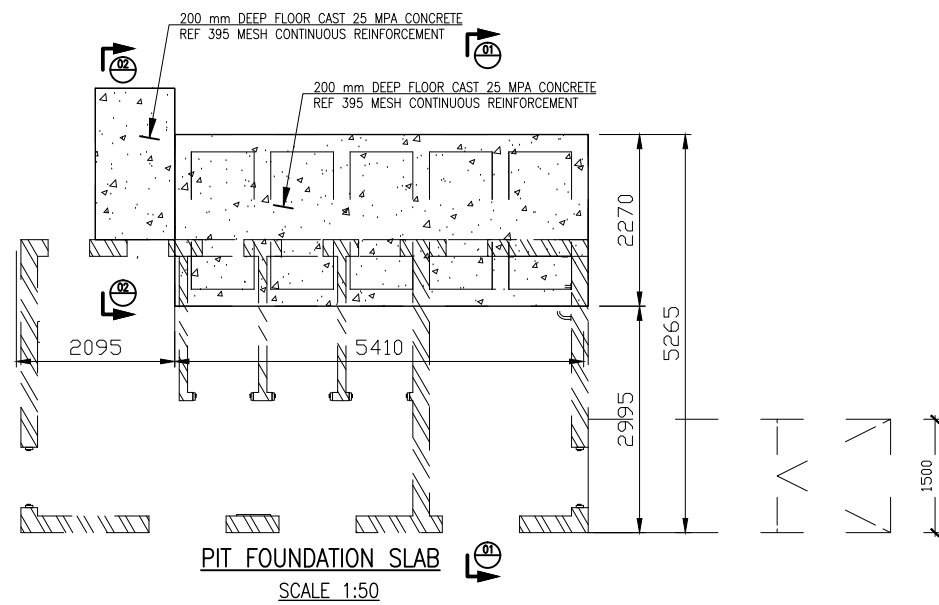
Project
**MAGAEDISHA HIGH SCHOOL
 FEMALE EDUCATORS ENVIRO LOO**

Drawing title
**STRUCTURAL DETAILS FOR
 FOUNDATIONS AND FLOOR SLABS**

Designed
 I.MOHAMED (PR ENG 20180160)
 Drawn
 I.MOHAMED
 Checked
 I.MOHAMED (PR ENG 20180160)

ref no _____
 scale _____
 Date Issued _____
 Date Approved _____
 RMCQGS-SC-01
 Drawing Number
 1 OF 1
 SHEET



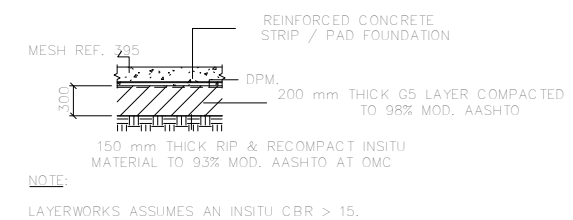
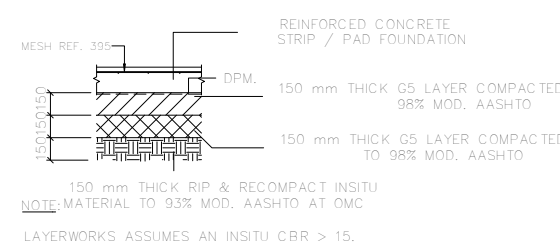


STRIP FOOTING FOUNDATION SCHEDULE

TYPE	DESCRIPTION
SF01	600x300 S.F

LEGEND

TOC TOP OF CONCRETE	CJ CONSTRUCTION JOINT
TOW TOP OF WALL	SJ SAW CUT JOINT
D/S DOWNSTAND CONCRETE	MJ MOVEMENT JOINT
U/S UPSTAND CONCRETE	IJ ISOLATION JOINT
RWP RAINWATER PIPE	FB FULL BORE OUTLET

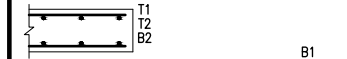


NOTES:

- COVER TO REINFORCEMENT TO BE 25 mm UNLESS OTHERWISE INDICATED.
- LAP LENGTHS TO BE 45 x ϕ .
- ANCHORAGE LENGTHS TO BE 45 x ϕ .
- CONTRACTOR TO ENSURE BOND BREAKER IS USED BETWEEN VERTICAL CONCRETE FACE AND CONCRETE E.G POLYSTYRENE OR SOFT-BOARD
- CONTRACTOR TO ENSURE PLASTIC IS USED BETWEEN BRICK WALLS AND CONCRETE
- CONCRETE TO BE 25MPA

EXAMPLE OF BAR CALL-OFF:

- 20 Y25-63-150 T2
- 20 - NUMBER OF BARS
Y - TYPE OF REINFORCEMENT
25 - DIAMETER (mm)
63 - BAR MARK NUMBER
150 - SPACING C/C (mm)
T2 - PLACING DESCRIPTION (SEE BELOW)



LEGEND:

- | | |
|-----------------------------------|------------------------------------|
| NF - NEAR FACE | T - TOP |
| FF - FAR FACE | B - BOTTOM |
| EF - EACH FACE | M - MIDDLE |
| EW - EACH WAY | IF - INSIDE FACE |
| ALT - ALTERNATE | OF - OUTSIDE FACE |
| HOR - HORIZONTAL | STG - STAGGERED |
| TOG - TOGETHER | VERT - CENTRES MEASURED VERTICALLY |
| CTF - CUT TO FIT | HC - HIGH CHAIR |
| CTL - CUT TO LENGTH | U - U-BARS |
| U - U-BARS | ABR - ALTERNATE BARS REVERSED |
| ABR - ALTERNATE BARS REVERSED | CHC - CONTINUOUS HIGH CHAIR |
| CHC - CONTINUOUS HIGH CHAIR | CJ - CONSTRUCTION JOINT |
| CJ - CONSTRUCTION JOINT | OCJ - OPTIONAL CONSTRUCTION JOINT |
| OCJ - OPTIONAL CONSTRUCTION JOINT | EJ - EXPANSION JOINT |

SECTION No
DRAWING No

No.	DATE	AMENDMENT	BY
0	10/2023	ISSUED FOR CONSTRUCTION	IM



RMC
QUANTITY SURVEYOR
28 MOWBRAY ROAD GREENSIDE
JOHANNESBURG Tel: (+27) 84 492-6028
EMAIL: rjpc@rmcq.co.za

Project
**MAGAEDISHA HIGH SCHOOL
MALE EDUCATORS ENVIRO LOO
MD3 +3UR**

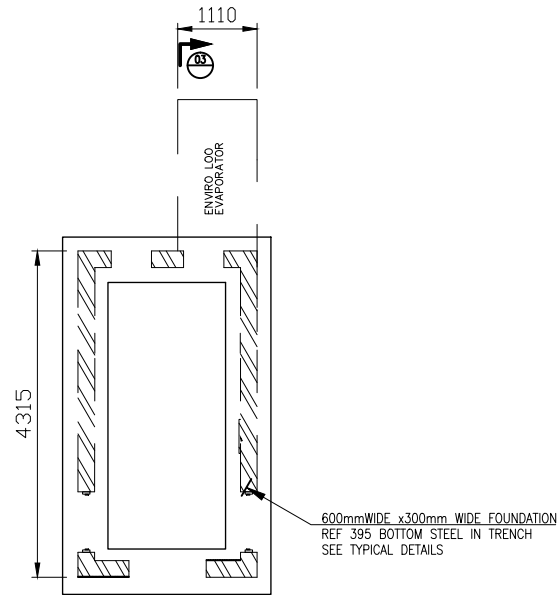
**STRUCTURAL DETAILS FOR
FOUNDATIONS AND FLOOR SLABS**

Designed by
IMOHAMED (PR ENG 20180160)
Drawn by
IMOHAMED (PR ENG 20180160)
Checked by

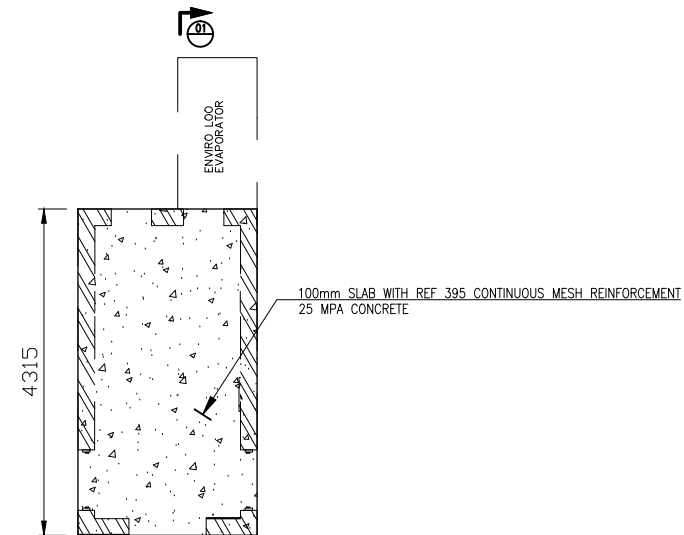
ref no
scale
Date Issued
Date Approved

RMC/GHS-SC-02
Drawing Number
1 OF 1
SHEET

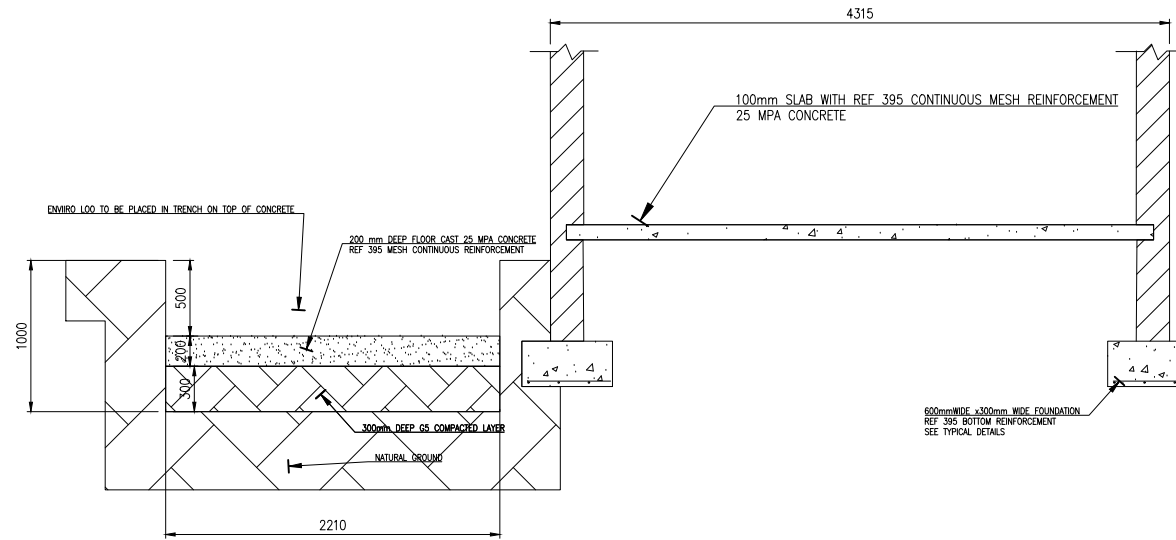




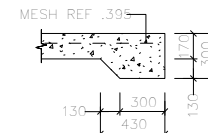
STRIP FOUNDATION URINALS
SCALE 1:50



GROUND FLOOR SLAB FOR URINALS
SCALE 1:50

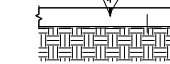


SECTION 03-03
SCALE 1:25



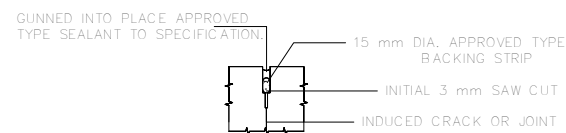
SLAB EDGE THICKENING DETAIL
Scale 1 : 25

55 mm DEEP X 3 mm WIDE (NIP) REFER TO DETAIL TB FOR SAW CUT



NOTE:
FOR LAYERWORKS REFER TO SEPARATE DETAIL.
SAW CUT SLAB WITHIN 24 HOURS OF CONCRETE HARDENING

SAW CUT JOINT (S.J)
Scale 1 : 25



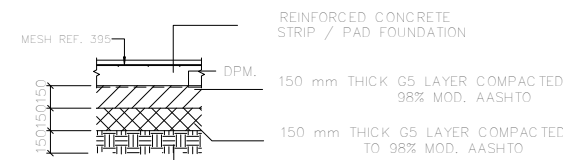
DETAIL TB
Scale 1 : 5

STRIP FOOTING FOUNDATION SCHEDULE	
TYPE	DESCRIPTION
SF01	600x300 S.F

LEGEND

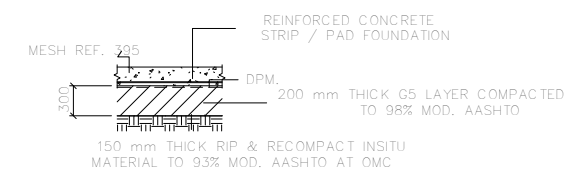
TOC	TOP OF CONCRETE	CJ	CONSTRUCTION JOINT
TOW	TOP OF WALL	SJ	SAW CUT JOINT
D/S	DOWNSTAND CONCRETE	MJ	MOVEMENT JOINT
U/S	UPSTAND CONCRETE	IJ	ISOLATION JOINT
RWP	RAINWATER PIPE	FB	FULL BORE OUTLET

ALL DIMENSIONS TO BE CHECKED ON SITE PRIOR TO THE COMMENCEMENT OF ANY WORK. ANY DISCREPANCIES TO BE REPORTED TO THE AUTHOR IMMEDIATELY. THIS DRAWING IS TO BE READ IN CONJUNCTION WITH ALL ARCHITECTURAL AND STRUCTURAL DRAWINGS.



NOTE: LAYERWORKS ASSUMES AN INSITU CBR > 15.

LAYERWORKS DETAIL: SURFACE BED
Scale 1 : 25



NOTE: LAYERWORKS ASSUMES AN INSITU CBR > 15.

LAYERWORKS DETAILS: FOUNDATIONS
Scale 1 : 25

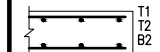
NOTES:

- COVER TO REINFORCEMENT TO BE 25 mm UNLESS OTHERWISE INDICATED.
- LAP LENGTHS TO BE 45 x ϕ .
- ANCHORAGE LENGTHS TO BE 45 x ϕ .
- CONTRACTOR TO ENSURE BOND BREAKER IS USED BETWEEN VERTICAL CONCRETE FACE AND CONCRETE E.G POLYSTYRENE OR SOFT-BOARD
- CONTRACTOR TO ENSURE PLASTIC IS USED BETWEEN BRICK WALLS AND CONCRETE
- CONCRETE TO BE 25MPA

EXAMPLE OF BAR CALL-OFF:

20 Y25-63-150 T2

- 20 - NUMBER OF BARS
Y - TYPE OF REINFORCEMENT
25 - DIAMETER (mm)
63 - BAR MARK NUMBER
150 - SPACING C/C (mm)
T2 - PLACING DESCRIPTION (SEE BELOW)



LEGEND:

- | | |
|-----------------------------------|------------------------------------|
| NF - NEAR FACE | T - TOP |
| FF - FAR FACE | B - BOTTOM |
| EF - EACH FACE | M - MIDDLE |
| EW - EACH WAY | IF - INSIDE FACE |
| ALT - ALTERNATE | OF - OUTSIDE FACE |
| HOR - HORIZONTAL | STG - STAGGERED |
| TOG - TOGETHER | VERT - CENTRES MEASURED VERTICALLY |
| CTF - CUT TO FIT | HC - HIGH CHAIR |
| CTL - CUT TO LENGTH | |
| U - U-BARS | |
| ABR - ALTERNATE BARS REVERSED | |
| CHC - CONTINUOUS HIGH CHAIR | |
| CJ - CONSTRUCTION JOINT | |
| OCJ - OPTIONAL CONSTRUCTION JOINT | |
| EJ - EXPANSION JOINT | |

SECTION No
DRAWING No

No.	DATE	AMENDMENT	BY
0	10/2023	ISSUED FOR CONSTRUCTION	IM



RMC
QUANTITY SURVEYORS
28 MOWBRAY ROAD GREENSIDE
JOHANNESBURG Tel: (+27) 84 492-6028
EMAIL: riyadh@rmcqi.co.za

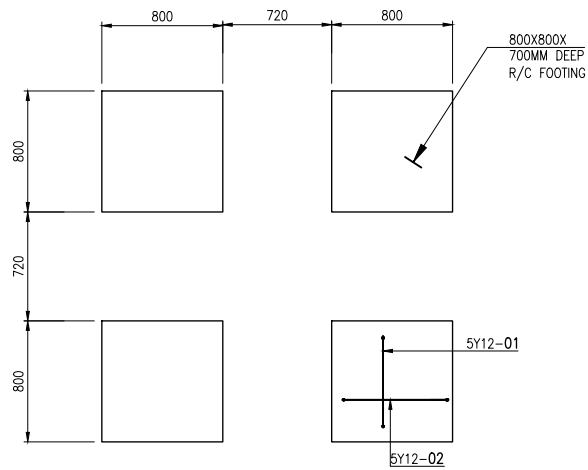
Project
**MAGAEDISHA HIGH SCHOOL
BOYS URINALS ENVIRO LOO
BOYS 4UR**

STRUCTURAL DETAILS FOR
FOUNDATIONS AND FLOOR SLABS

Designed
Drawn
Checked

ref no
scale
Date Issued
Date Approved
Drawing Number
1 OF 1
SHEET





TANK STAND FOUNDATION DETAIL
SCALE 1:25

MEMBER	NO OF	NO OF BARS	DIA	CUT LENGTH	TOTAL	BAR MARK	SC	A	B	C	D	E/R	kg
FOUNDATION	4	5	Y12	2700	20	01	60	700	600				48
	4	5	Y12	2650	20	02	60	700	570				47

	6	8	10	12	16	20	25	32	40	TOTAL
R										
Y				95						95
TOTAL				95						95

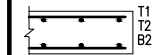
NOTES:

- COVER TO REINFORCEMENT TO BE 25 mm UNLESS OTHERWISE INDICATED.
- LAP LENGTHS TO BE 45 x ϕ .
- ANCHORAGE LENGTHS TO BE 45 x ϕ .
- CONTRACTOR TO ENSURE BOND BREAKER IS USED BETWEEN VERTICAL CONCRETE FACE AND CONCRETE E.G POLYSTYRENE OR SOFT-BOARD
- CONTRACTOR TO ENSURE PLASTIC IS USED BETWEEN BRICK WALLS AND CONCRETE
- CONCRETE TO BE 25MPA

EXAMPLE OF BAR CALL-OFF:

20 Y25-63-150 T2

- 20 - NUMBER OF BARS
- Y - TYPE OF REINFORCEMENT
- 25 - DIAMETER (mm)
- 63 - BAR MARK NUMBER
- 150 - SPACING C/C (mm)
- T2 - PLACING DESCRIPTION (SEE BELOW)

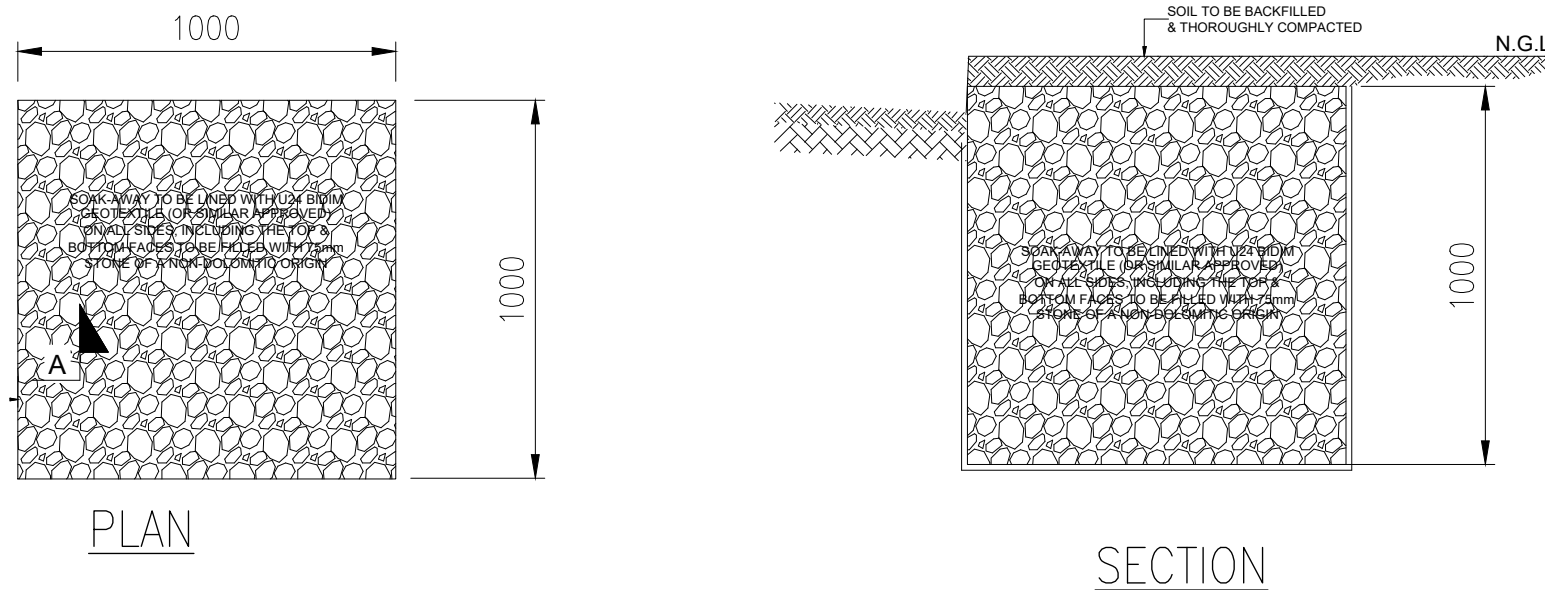


LEGEND:

- NF - NEAR FACE
- FF - FAR FACE
- EF - EACH FACE
- EW - EACH WAY
- ALT - ALTERNATE
- HOR - HORIZONTAL
- TOG - TOGETHER
- CTF - CUT TO FIT
- CTL - CUT TO LENGTH
- U - U-BARS
- ABR - ALTERNATE BARS REVERSED
- CHC - CONTINUOUS HIGH CHAIR
- CJ - CONSTRUCTION JOINT
- OCJ - OPTIONAL CONSTRUCTION JOINT
- EJ - EXPANSION JOINT
- T - TOP
- B - BOTTOM
- M - MIDDLE
- IF - INSIDE FACE
- OF - OUTSIDE FACE
- STG - STAGGERED
- VERT - CENTRES MEASURED VERTICALLY
- HC - HIGH CHAIR

01 SECTION No
21 DRAWING No

No.	DATE	AMENDMENT	BY
0	10/2023	ISSUED FOR CONSTRUCTION	IM



TYPICAL SOAKAWAY DETAIL
SCALE 1:10



RMC
QUANTITY SURVEYORS
28 MOWBRAY ROAD GREENSIDE
JOHANNESBURG Tel: (+27) 84 492-6028
EMAIL: riyadh@rmcqi.co.za

Project
MAGAEDISHA HIGH SCHOOL
TYPICAL WATER TOWER
FOUNDATION
TYPICAL SOAKAWAY DETAIL

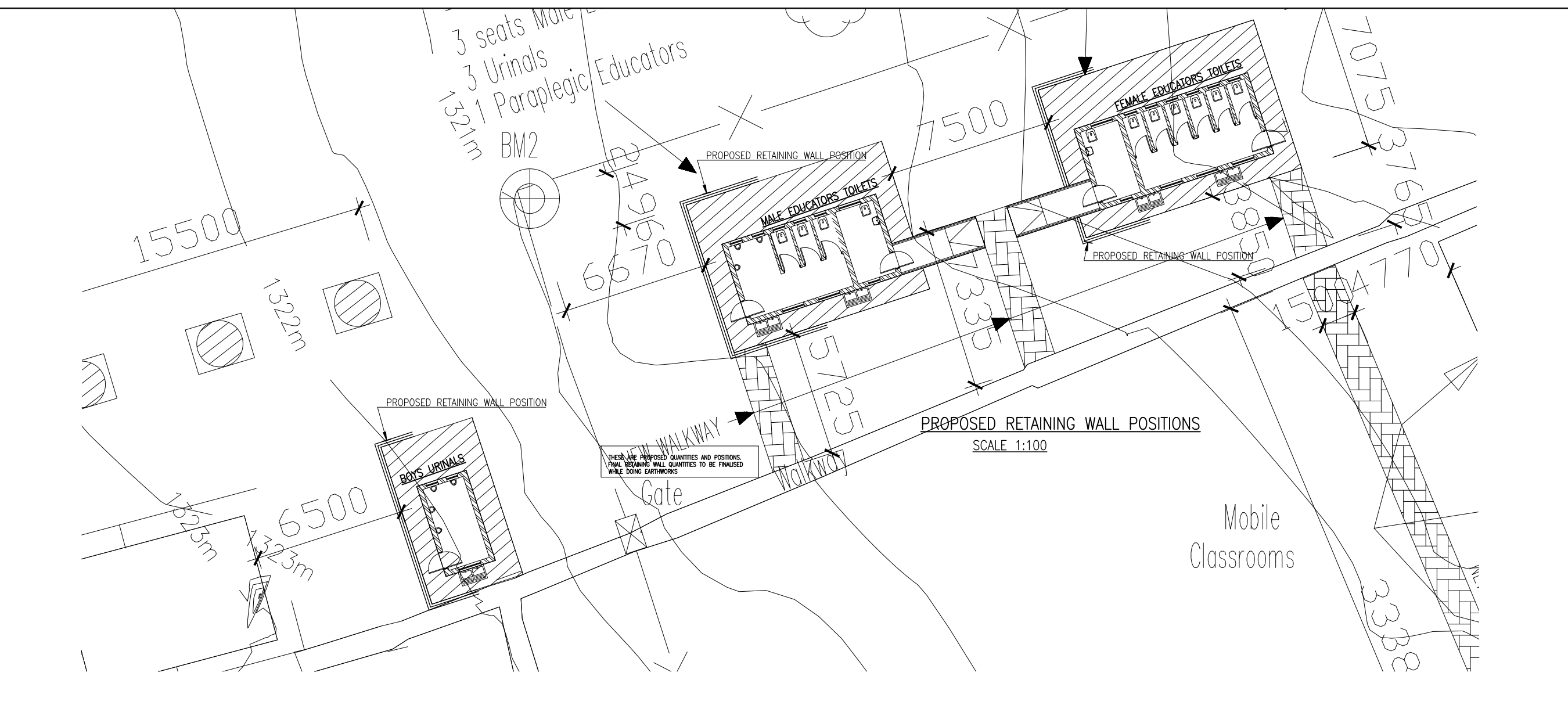
Structural Details

Designed: I.MOHAMED (PR ENG 20180160)
Drawn: I.MOHAMED
Checked: I.MOHAMED (PR ENG 20180160)

ref no _____
scale _____
Date Issued _____
Date Approved _____

RMC MGH-SC-04
Drawing Number
1 OF 1
SHEET





NOTES:

- COVER TO REINFORCEMENT TO BE 25 mm UNLESS OTHERWISE INDICATED.
- LAP LENGTHS TO BE 45 x ϕ .
- ANCHORAGE LENGTHS TO BE 45 x ϕ .
- CONTRACTOR TO ENSURE BOND BREAKER IS USED BETWEEN VERTICAL CONCRETE FACE AND CONCRETE E.G POLYSTYRENE OR SOFT-BOARD
- CONTRACTOR TO ENSURE PLASTIC IS USED BETWEEN BRICK WALLS AND CONCRETE
- CONCRETE TO BE 25MPA

EXAMPLE OF BAR CALL-OFF:
20 Y25-63-150 T2

20 - NUMBER OF BARS
Y - TYPE OF REINFORCEMENT
25 - DIAMETER (mm)
63 - BAR MARK NUMBER
150 - SPACING C/C (mm)
T2 - PLACING DESCRIPTION (SEE BELOW)

LEGEND:

NF - NEAR FACE
FF - FAR FACE
EF - EACH FACE
EW - EACH WAY
ALT - ALTERNATE
HOR - HORIZONTAL
TOG - TOGETHER
CTF - CUT TO FIT
CTL - CUT TO LENGTH
U - U-BARS
ABR - ALTERNATE BARS REVERSED
CHC - CONTINUOUS HIGH CHAIR
CJ - CONSTRUCTION JOINT
OCJ - OPTIONAL CONSTRUCTION JOINT
EJ - EXPANSION JOINT

T - TOP
B - BOTTOM
M - MIDDLE
IF - INSIDE FACE
OF - OUTSIDE FACE
STG - STAGGERED
VERT - CENTRES MEASURED VERTICALLY
HC - HIGH CHAIR

SECTION No
DRAWING No

No.	DATE	AMENDMENT	BY
0	10/2023	ISSUED FOR CONSTRUCTION	MM



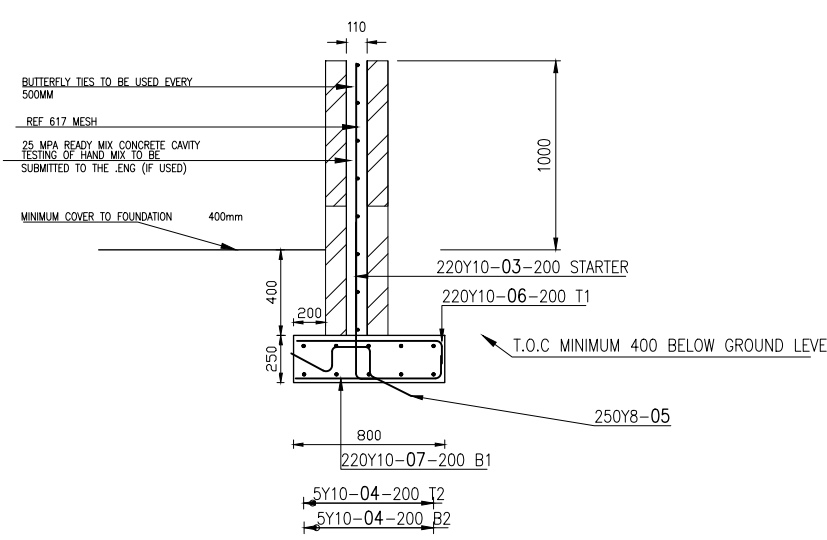
RMC
QUANTITY SURVEYORS
28 MOWBRAY ROAD GREENSIDE
JOHANNESBURG Tel: (+27) 84 492-6028
EMAIL: rjps@rmcqi.co.za

Project
MAGAEDISHA HIGH SCHOOL
RETAINING WALL SITE PLAN AND DETAILS

drawing title
STRUCTURAL DETAILS RETAINING WALLS AROUND TOILET BLOCKS

Designed by
.IMOHAMED (PR ENG 20180160)
Drawn by
.IMOHAMED
Checked by
.IMOHAMED (PR ENG 20180160)

ref no
scale
Date Issued
Date Approved
RMC/GHS-SC-05
Drawing Number
1 OF 1
SHEET



1m HIGH CAVITY RETAINING WALL DETAIL
SCALE 1:20

NOTES

- EVERY 3rd COURSE TO HAVE BRICK FORCE
- BUTTERFLY TIES TO BE USED EVERY 500MM
- MESH REINFORCEMENT IS CONTINUOUS IN THE WALL

MEMBER	NO OF	NO BARS	DIA	CUT LENGTH	TOTAL	BAR MARK	SC	A	B	C	D	E/R	kg
1m WALL	1	220	Y10	900	220	03	37	120	[820]				122
	1	40	Y10	12000	40	04	20	[12000]					296
	1	250	Y8	900	250	05	83	200	150	250	[250]		89
	1	220	Y10	850	220	06	37	760	[120]				115
	1	220	Y10	850	220	07	37	120	[760]				115

	6	8	10	12	16	20	25	32	40	TOTAL
R										
Y		89	649							737
TOTAL		89	649							737

MESH EXCLUDED FROM BENDING SCHEDULE

NOTES

- CALCS BASED ON 40m of RETAINING WALL
- 44 m² OF REF 617 MESH REQUIRED
- MESH TO HAVE MINIMUM OVERLAP OF 400mm
- THE CONTRACTOR MAY SUBSTITUTE MESH WITH Y10 @200

NOTES

- CONCRETE TO BE CAST IN 0.5m LIFTS
- HEIGHTS ARE INDICATIVE AND MAY VARY ON SITE
- APPROX LENGTH OF WALL 40m
- FOUNDATION TO HAVE MIN COVER OF 0.4m TO NG