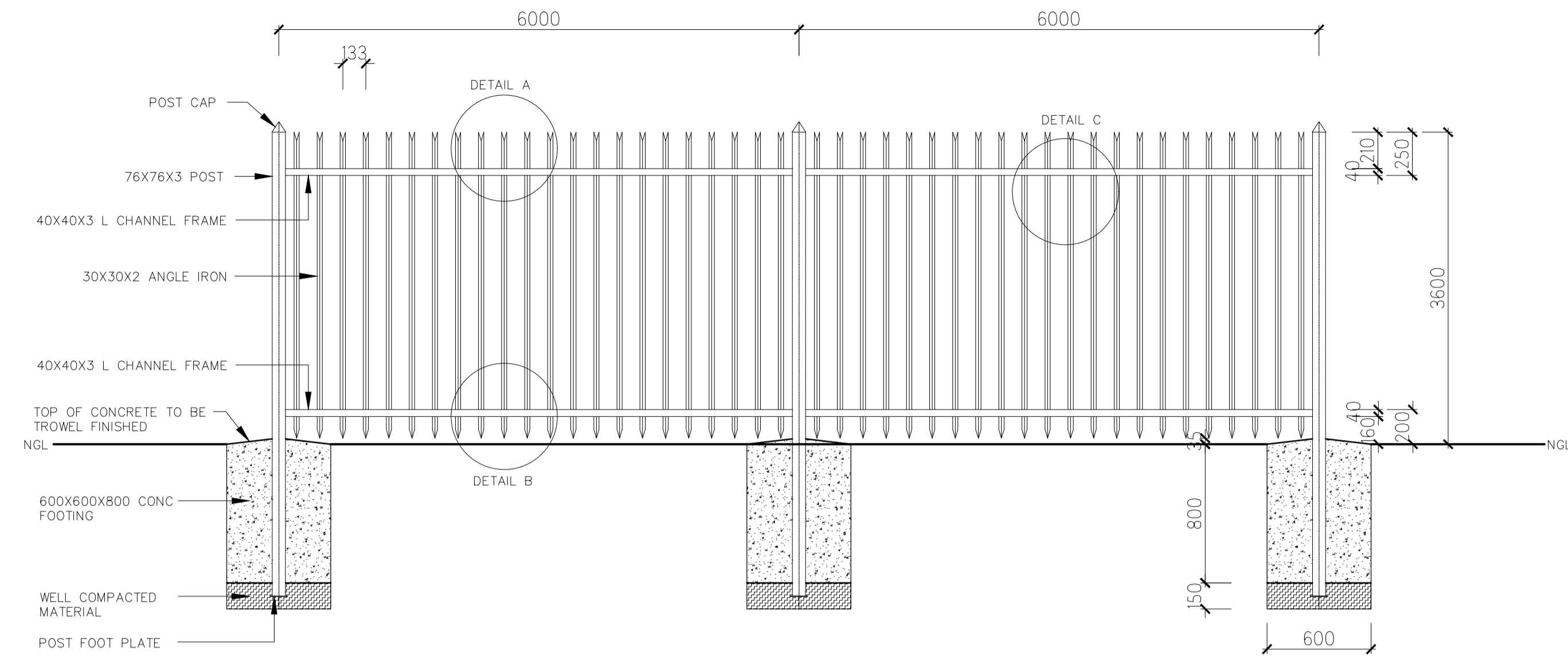
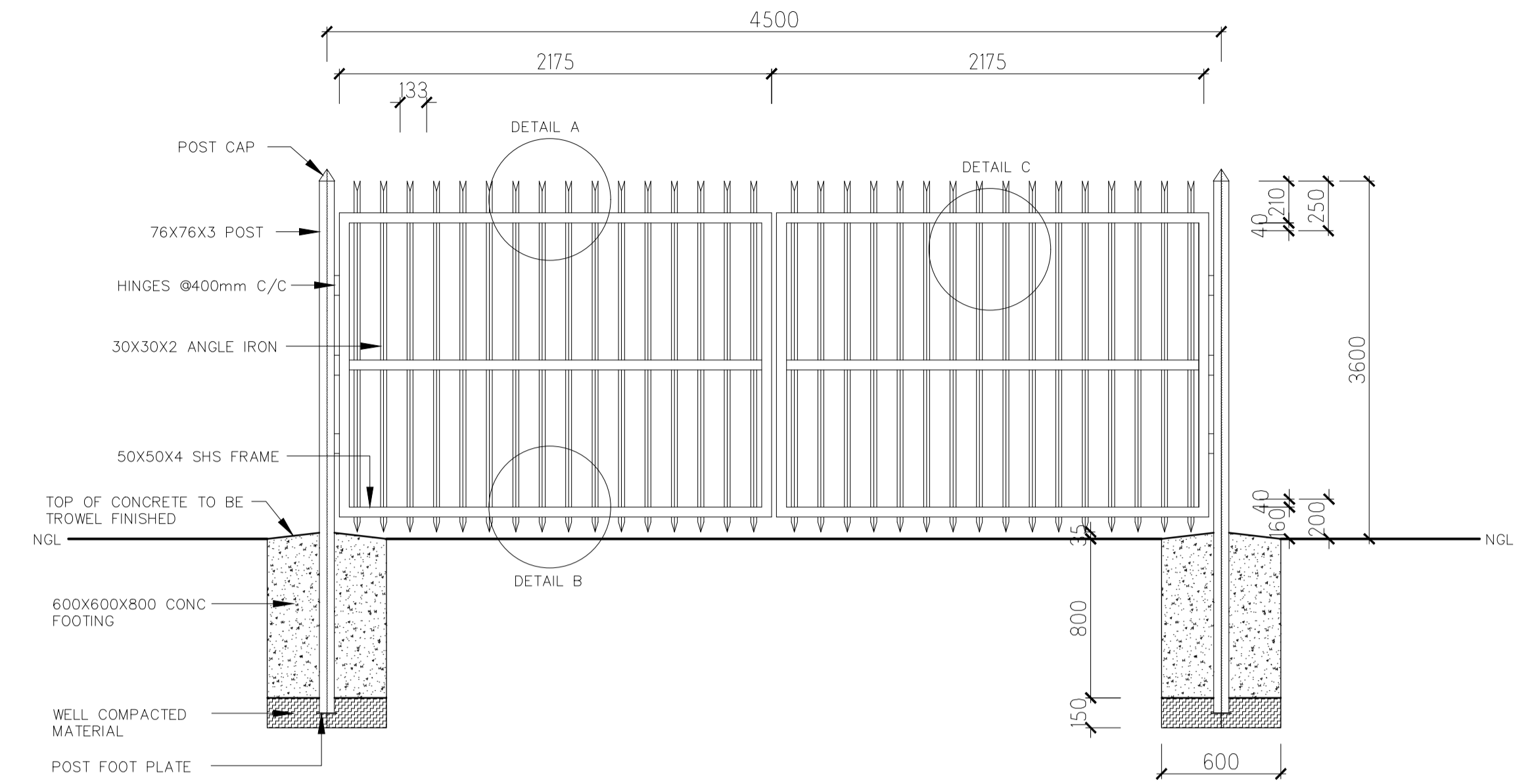


PLEASE REFER TO SDP LAYOUT PLAN FOR FENCE DIMENSIONS

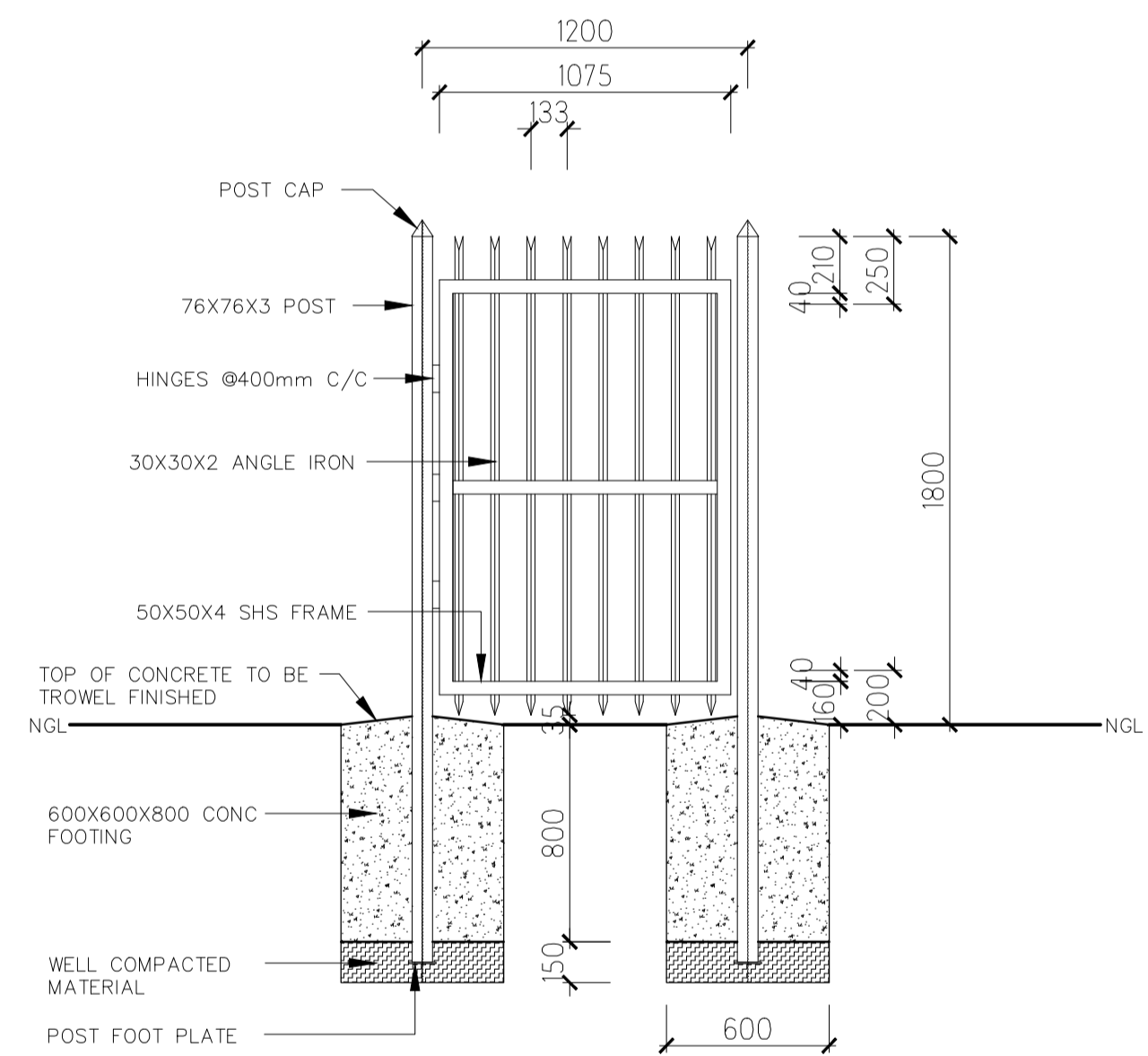


TYPICAL PALISADE FENCE DETAIL
SCALE 1:50

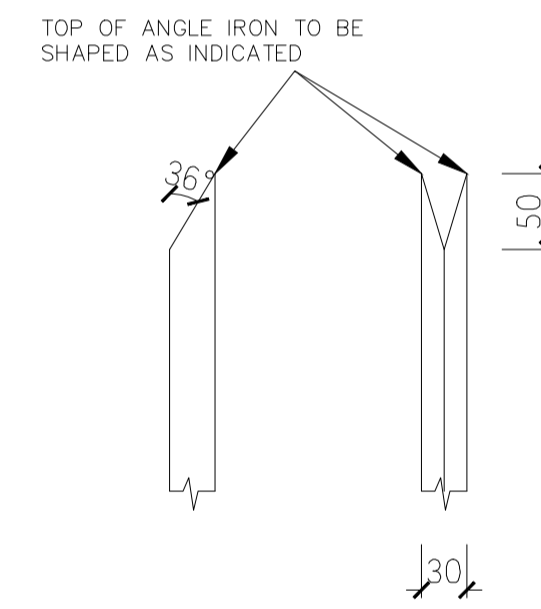
PLEASE REFER TO SDP LAYOUT PLAN FOR GATE POSITIONS



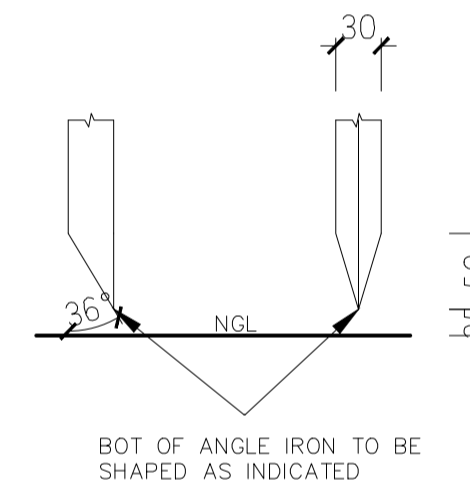
TYPICAL PALISADE 4.5m SWING GATE DETAIL
SCALE 1:50



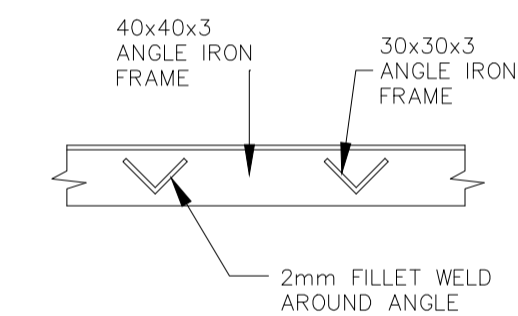
TYPICAL PALISADE 4.5m SWING GATE DETAIL
SCALE 1:50



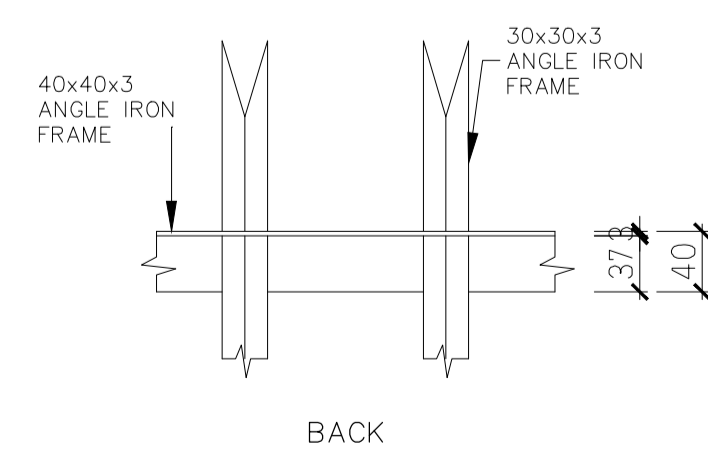
DETAIL A
SCALE 1:10



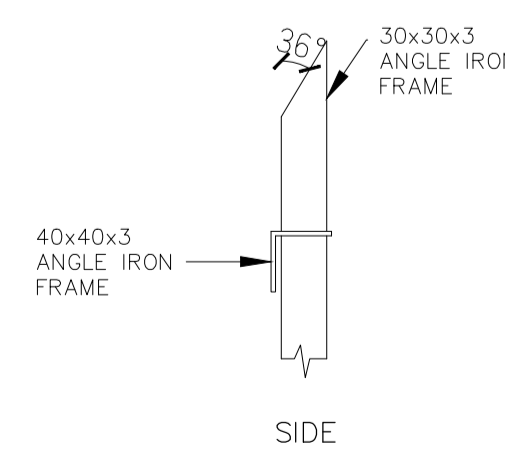
DETAIL B
SCALE 1:10



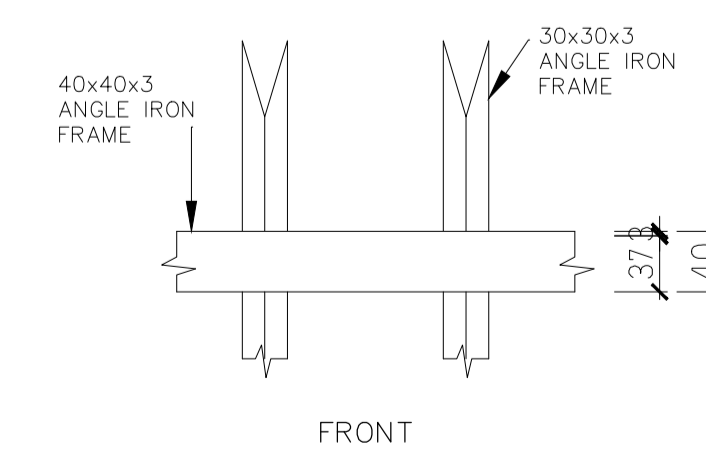
DETAIL C
SCALE 1:10



DETAIL C
SCALE 1:10



DETAIL C
SCALE 1:10



DETAIL C
SCALE 1:10



PROJECT

EXISTING TOILETS RENOVATIONS & PROPOSED NEW TOILETS, NEW WATER & SEWER WORKS, EXISTING FENCING REMOVAL & NEW FENCING INSTALLATION.

DESCRIPTION
TYPICAL PALISADE FENCE DETAILS

Owner	Eng
Designed YHP	Scales 1:750
Drawn YHP	
Checked Y.H.P	Date 2023-09-27
Project Number	Drawing No.
FD - MAGAED	1-04