

COPYRIGHT HELD BY :
 MEMORANGO CONSULTING ENGINEERS cc
 Copyright subsists in this work. Any unauthorised reproduction in any manner or form, publication, making an adaptation of the work and doing in relation to an adaptation of the work, any of the work, any of the acts above, are acts of copyright infringement and make the DOER liable for civil law copyright infringement and may make the DOER liable to criminal prosecution."

DRAWING REFERENCE

Drawing No.	Drawing Title

NOTES

ALL WORK IS TO BE DONE IN ACCORDANCE WITH THE NATIONAL BUILDING REGULATIONS.
 ALL MATERIALS AND WORKMANSHIP ARE TO COMPLY WITH THE REQUIREMENTS AS SET OUT IN THE NATIONAL BUILDING REGULATIONS AND SABS 0400 OF 1999.
 CONTRACTOR SHALL BE RESPONSIBLE FOR THE PROTECTION OF ALL UTILITIES AND SERVICES IN THE AREA OF THE WORK.
 THE CONTRACTOR SHALL BE RESPONSIBLE FOR THE PROTECTION OF ALL UTILITIES AND SERVICES IN THE AREA OF THE WORK.
 THE CONTRACTOR SHALL BE RESPONSIBLE FOR THE PROTECTION OF ALL UTILITIES AND SERVICES IN THE AREA OF THE WORK.
 THE CONTRACTOR SHALL BE RESPONSIBLE FOR THE PROTECTION OF ALL UTILITIES AND SERVICES IN THE AREA OF THE WORK.
 THE CONTRACTOR SHALL BE RESPONSIBLE FOR THE PROTECTION OF ALL UTILITIES AND SERVICES IN THE AREA OF THE WORK.
 THE CONTRACTOR SHALL BE RESPONSIBLE FOR THE PROTECTION OF ALL UTILITIES AND SERVICES IN THE AREA OF THE WORK.
 THE CONTRACTOR SHALL BE RESPONSIBLE FOR THE PROTECTION OF ALL UTILITIES AND SERVICES IN THE AREA OF THE WORK.
 THE CONTRACTOR SHALL BE RESPONSIBLE FOR THE PROTECTION OF ALL UTILITIES AND SERVICES IN THE AREA OF THE WORK.

DRAWING AMENDMENTS

No.	Amendment	Date	Appr.
1	ISSUED FOR : CONSTRUCTION	OCT 2023	TM

Designed	E MUDAU	Date	OCT 2023
Checked	T RAPHALALANI	Date	OCT 2023
Drawn	E MUDAU	Date	OCT 2023
Client appr.		Date	

Consultant
NEMORANGO CONSULTING ENGINEERS
 CONSULTING ENGINEERS
 e-mail : takalani@nemorango.co.za
 (015) 295 2023 (015) 295 2024
 10A HANS VAN RENSBURG POLOKWANE 099 10A HANS VAN RENSBURG POLOKWANE 099

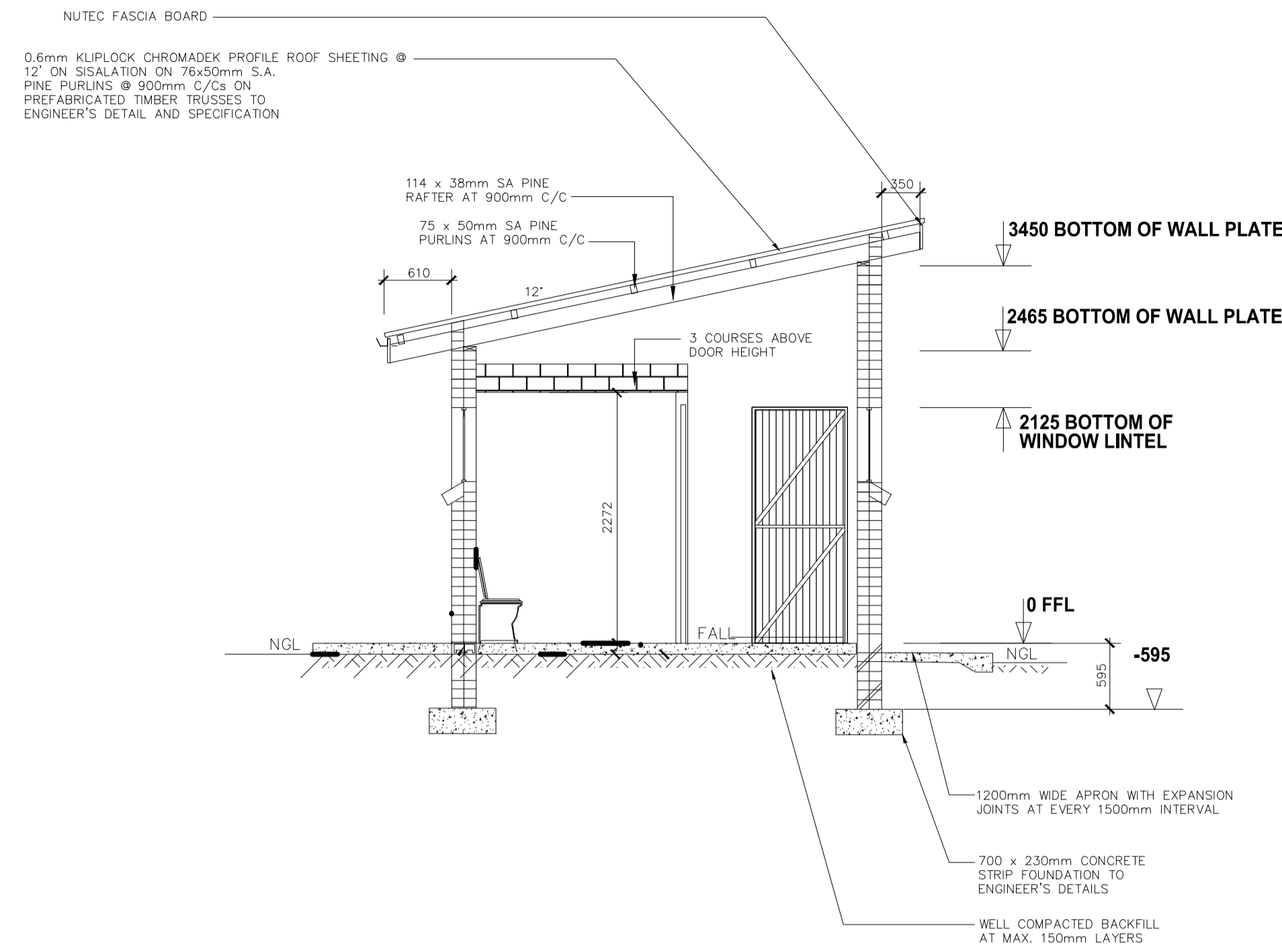
Impl. Agent
THE MVLVA TRUST
 A leading developmental NGO
LIMPOPO

Proj Name
 CONSTRUCTION OF WATER & SANITATION INFRASTRUCTURE AT MADIPOANE SECONDARY SCHOOL IN LIMPOPO

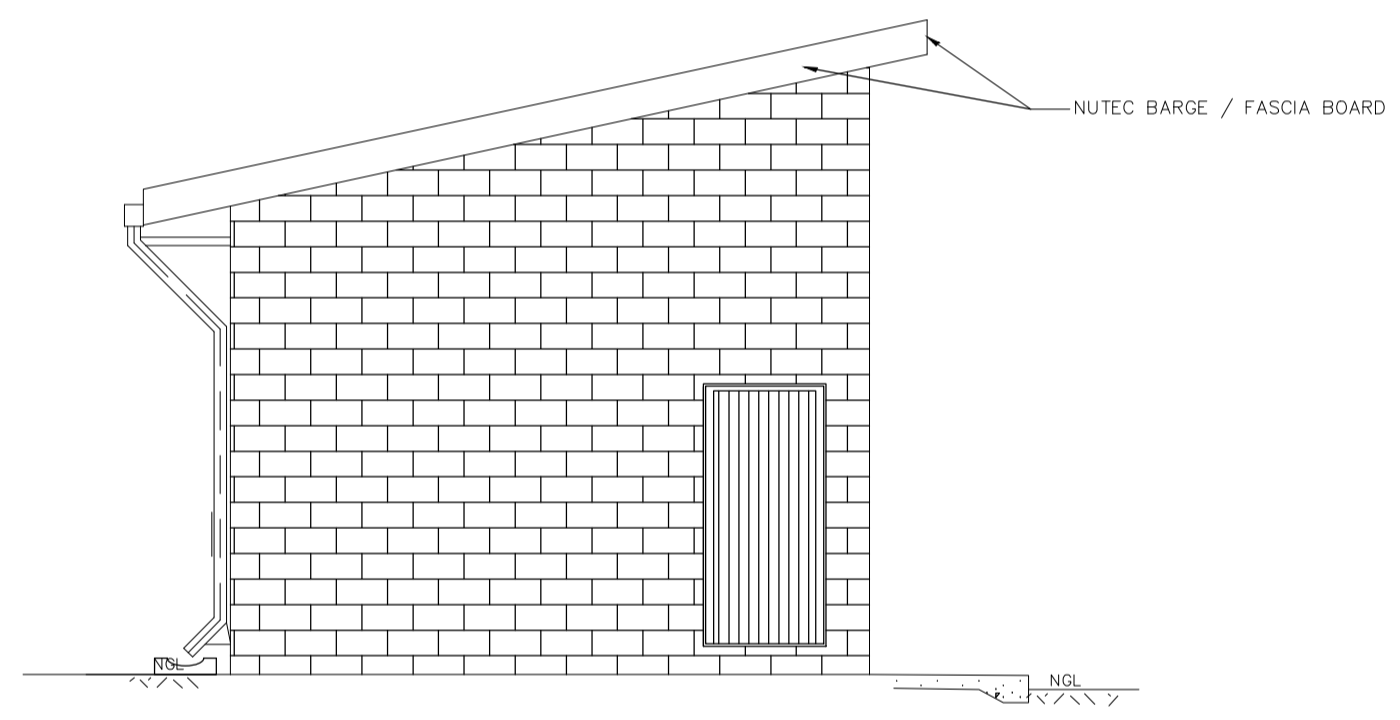
Drawing Title
 SM2 + 2 UR MALE EDUCATORS WATER BORNE SEAT

Proj Number	Drawing No.
TMT-4PDE-2023-24-PLC15-01	TMT-4PDE-2023-24-PLC15-03-01

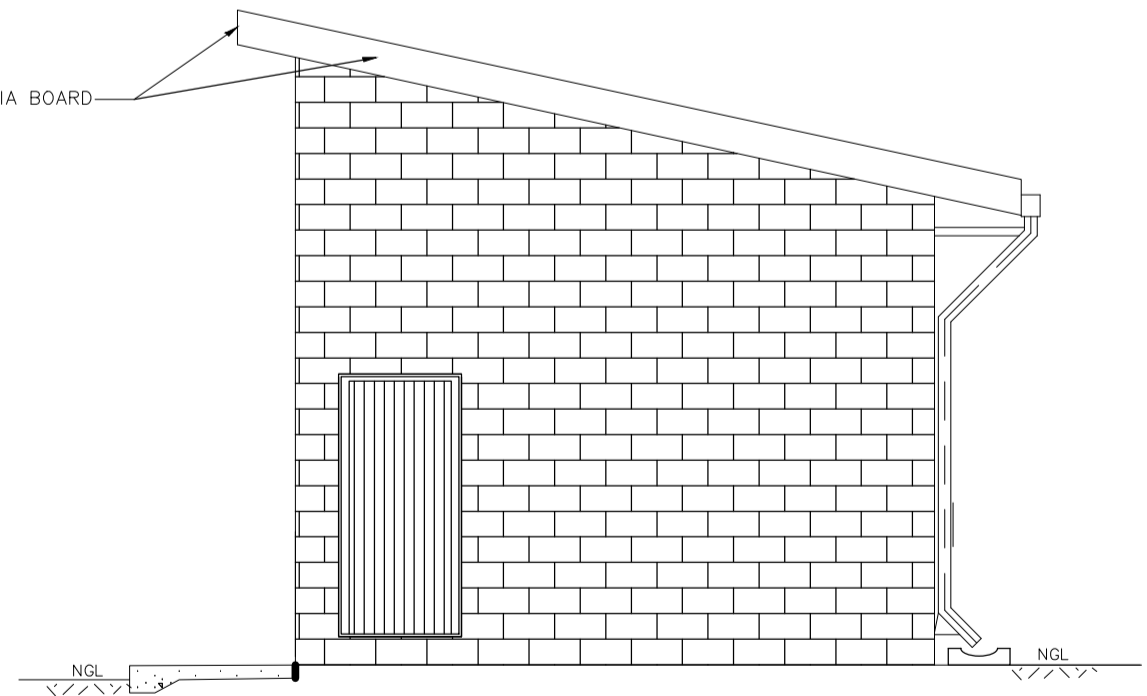
Scale	Rev No.
N.T.S.	0



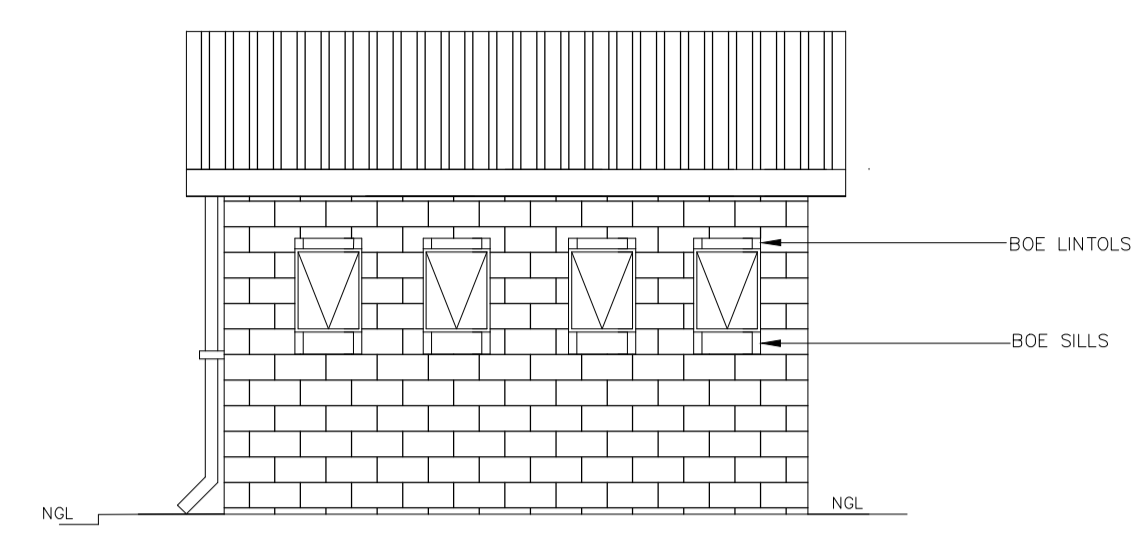
SECTION A-A
SCALE 1:50



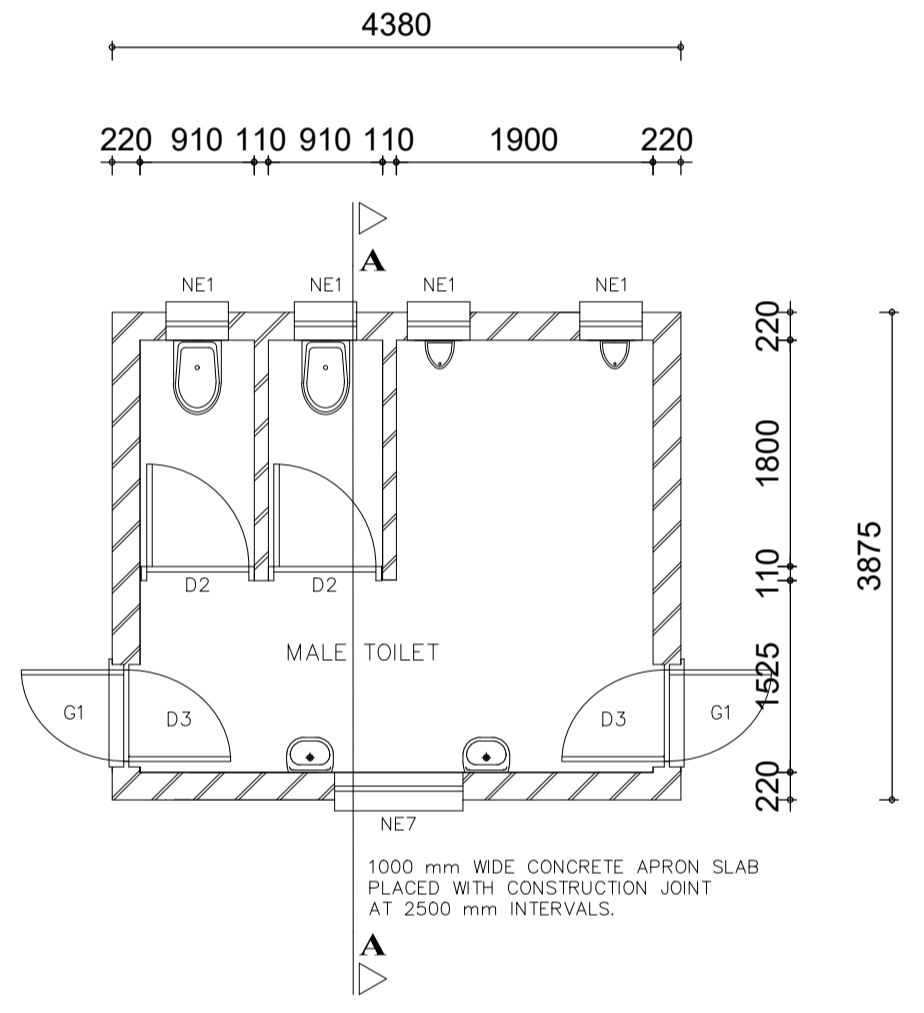
SIDE
SCALE 1:50



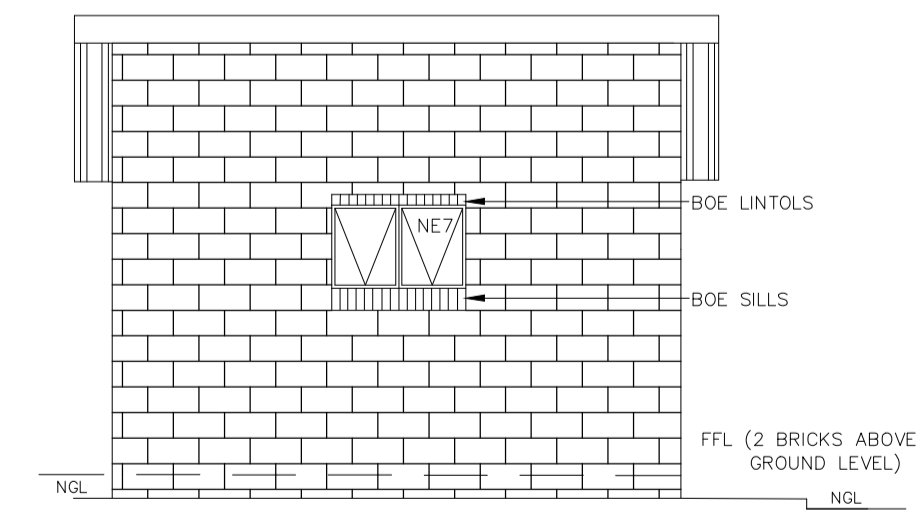
SIDE
SCALE 1:50



BACK
SCALE 1:50



FLOOR LAYOUT : TYPE 3
SCALE 1:50



FRONT
SCALE 1:50

- GENERAL NOTES:**
- ALL WORK TO BE CARRIED OUT IN ACCORDANCE WITH THE NATIONAL BUILDING REGULATION AND SABS 0400 OF 1999
 - CONTRACTOR TO READ ONLY FIGURED DIMENSION
 - CONTRACTOR TO VERIFY ALL DIMENSION ON SITE BEFORE COMMENCING WITH ANY WORK.

WINDOW SCHEDULE		WINDOW SCHEDULE	
WINDOW NO.	N2	WINDOW NO.	N1
CATALOGUE	NE7	CATALOGUE	NE1
FRAME	1022 x 854mm HIGH STANDARD STEEL WINDOW FRAME	FRAME	533 x 854mm HIGH STANDARD STEEL WINDOW FRAME
FRAME FINISH	SPOT PRINING DEFECTS IN PRE-PRIME SURFACE WITH ZINC CHROMATE PRIMER & APPLY ONE UNIVERSAL UNDER COAT & TWO COATS EPWP GOLDEN BROWN GLOSS ENAMEL PAINT ON STEEL	FRAME FINISH	SPOT PRINING DEFECTS IN PRE-PRIME SURFACE WITH ZINC CHROMATE PRIMER & APPLY ONE UNIVERSAL UNDER COAT & TWO COATS EPWP GOLDEN BROWN GLOSS ENAMEL PAINT ON STEEL
GLAZING	6.28mm OBTSCURE SAFETY GLASS	GLAZING	6.28mm OBTSCURE SAFETY GLASS
NO. REQUIRED	4	NO. REQUIRED	8

D1-ENTRANCE DOOR (DISABLED)	
DOOR TYPE	SINGLE REBATE STEEL FRAME TO FIT 2200mm WALL (D1)
FRAME FINISH	PRIME AND PAINT UNDERCOAT AND 2nd COATS GLOSS ENAMEL - COLOUR TBC
DOOR LEAF	44mm FRAMED LEDGED AND BRACED DOOR SIZE 813x2032mm INCLUDING EXTERNAL WEATHER BAR
LEAF FINISH	UNDER COAT AND MINIMUM 2 COATS GLOSS ENAMEL - COLOUR TBC
LOCK	3 LEVER MORTICE LOCK SET
IRONMONGERY	100mm BRACE CABIN HOOK

D2-CUBICLE DOOR	
DOOR TYPE	SINGLE REBATE STEEL DOOR FRAME - SIZE 813x2032mm (FRAME UNDERCUT TO 150mm)
FRAME FINISH	PRIME AND PAINT UNDERCOAT AND 2nd COATS GLOSS ENAMEL - COLOUR TBC
DOOR LEAF	44mm FRAMED LEDGED AND BRACED DOOR SIZE 813x2032mm (DOOR BASE BY 150mm TO TOP OF FRAME)
LEAF FINISH	UNDER COAT AND MINIMUM 2 COATS GLOSS ENAMEL - COLOUR TBC
LOCK	TOILET INDICATOR LOCK
IRONMONGERY	100mm CHROME PLATED "D" TYPE HANDLE 3 BY SOLID BRACE HINGES

BUGLAR DOOR	
DOOR TYPE	SINGLE REBATE STEEL FRAME TO FIT 2200mm WALL (D1)
FRAME FINISH	PRIME AND PAINT UNDERCOAT AND 2nd COATS GLOSS ENAMEL - COLOUR TBC
DOOR LEAF	44mm FRAMED LEDGED AND BRACED DOOR SIZE 813x2032mm INCLUDING EXTERNAL WEATHER BAR
LEAF FINISH	UNDER COAT AND MINIMUM 2 COATS GLOSS ENAMEL - COLOUR TBC
LOCK	3 LEVER MORTICE LOCK SET
IRONMONGERY	100mm BRACE CABIN HOOK

D3-ENTRANCE DOOR	
DOOR TYPE	SINGLE REBATE STEEL FRAME TO FIT 2200mm WALL (D1)
FRAME FINISH	PRIME AND PAINT UNDERCOAT AND 2nd COATS GLOSS ENAMEL - COLOUR TBC
DOOR LEAF	44mm FRAMED LEDGED AND BRACED DOOR SIZE 813x2032mm INCLUDING EXTERNAL WEATHER BAR
LEAF FINISH	UNDER COAT AND MINIMUM 2 COATS GLOSS ENAMEL - COLOUR TBC
LOCK	3 LEVER MORTICE LOCK SET
IRONMONGERY	100mm BRACE CABIN HOOK