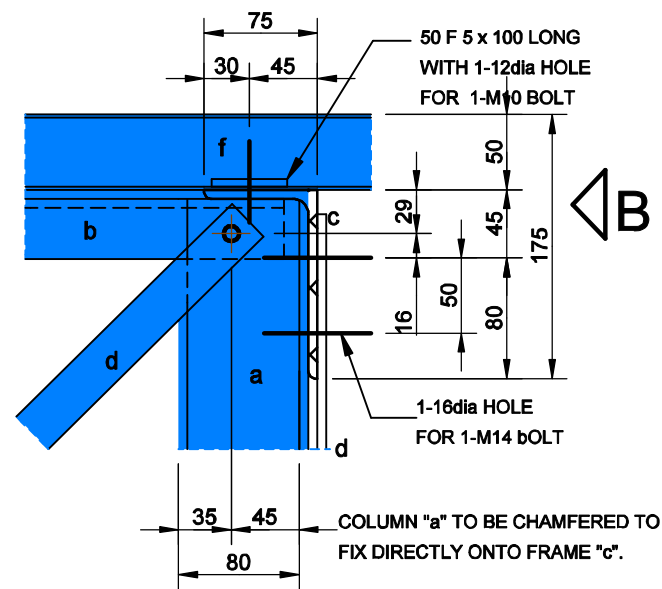
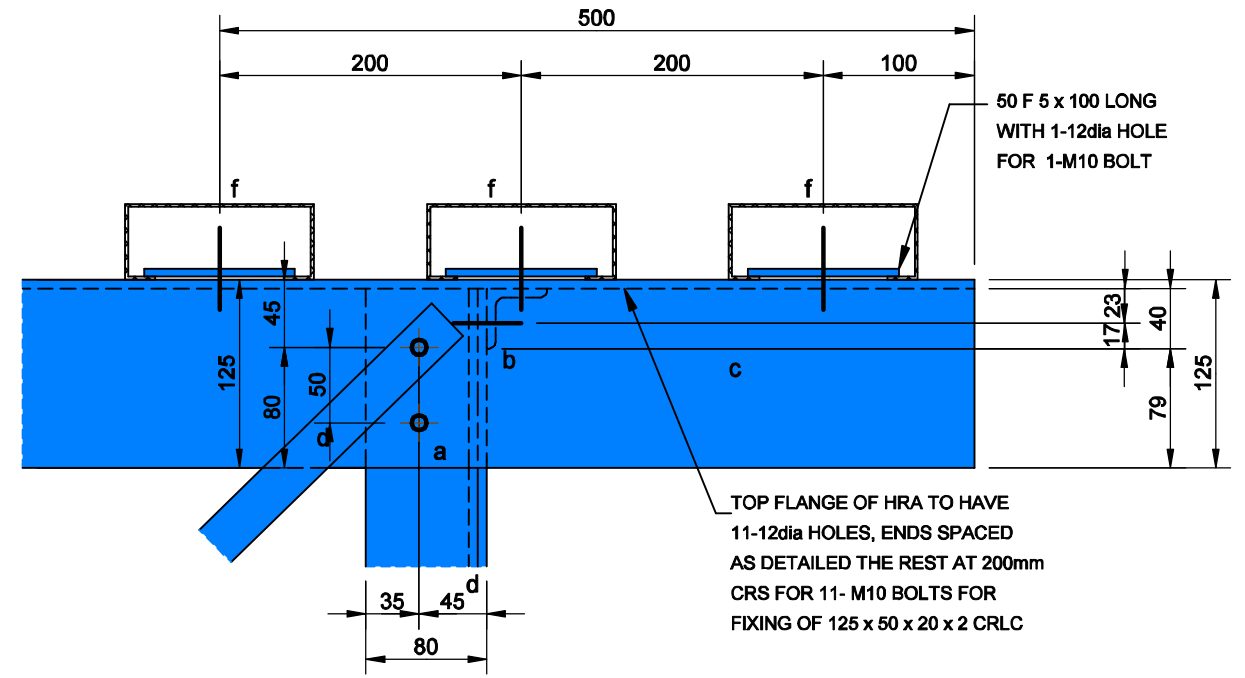


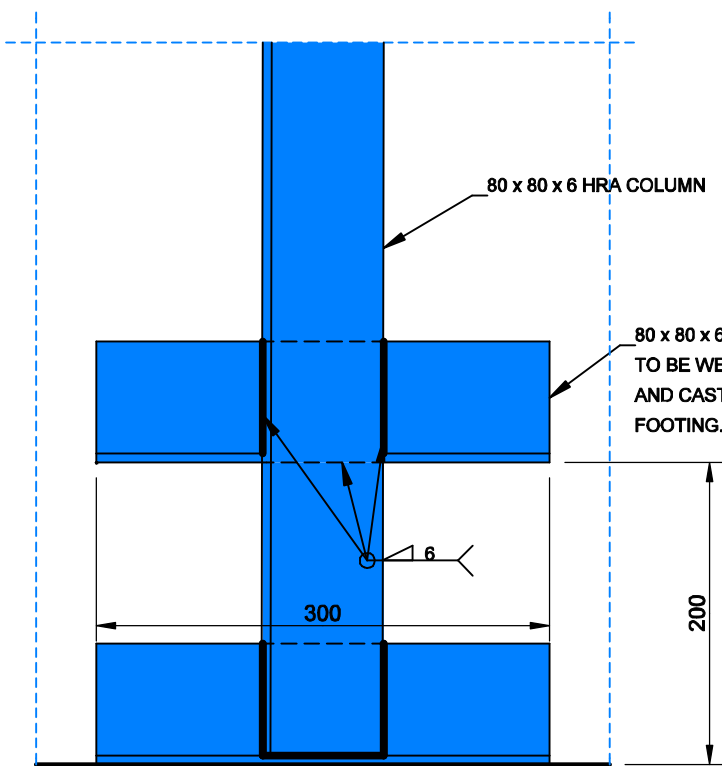
DETAIL 2
1:5



DETAIL 3
1:5

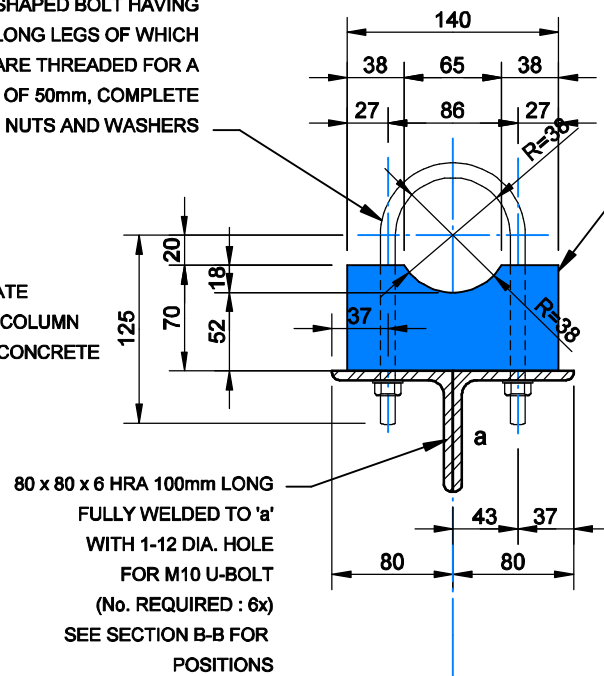


VIEW B
1:5

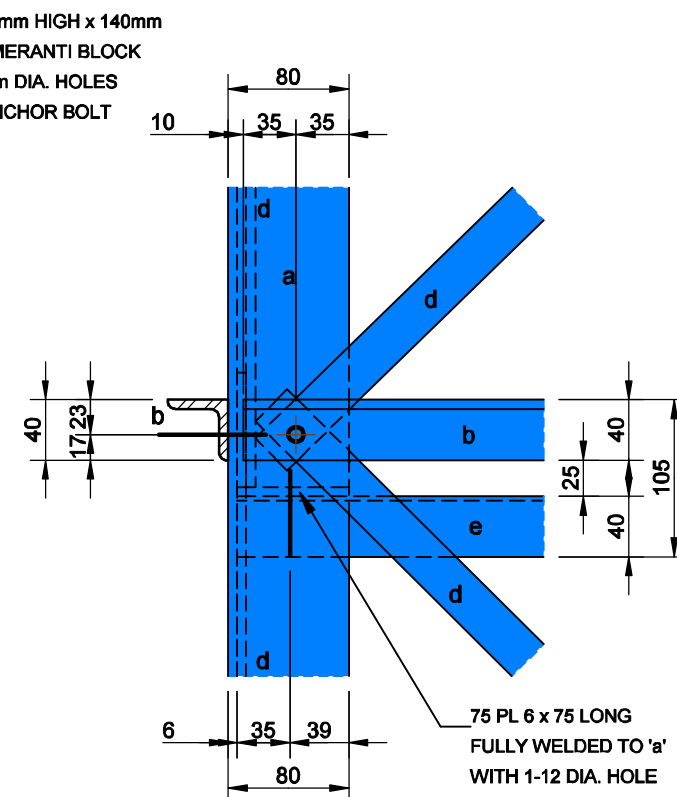


BASE PLATE DETAIL 1
1:5 (4 OFF REQUIRED)

M10 U-SHAPED BOLT HAVING 125mm LONG LEGS OF WHICH THE ENDS ARE THREADED FOR A DISTANCE OF 50mm, COMPLETE WITH NUTS AND WASHERS



PIPE CLAMP DETAIL
1:5 (6 OFF REQUIRED)



VIEW A
1:5

MOD NO.	REVISION	SIGNATURE & DATE
<p>SCHOOL SANITATION PROGRAM LIMPOPO PROVINCE</p> <p>LIMPOPO PROVINCIAL DEPARTMENT OF EDUCATION</p>		
		<p>MVULA TRUST 9A LANDROS MARE STR POLOKWANE 0699</p>
<p>LIMPOPO PROVINCIAL DEPARTMENT OF EDUCATION</p>		
<p>3m HIGH ELEVATED TANK STAND: CONNECTION DETAILS</p>		
DRAWN	DRAWING NO.	
CHECKED		MVULA-010-11
SCALE	SCALE	