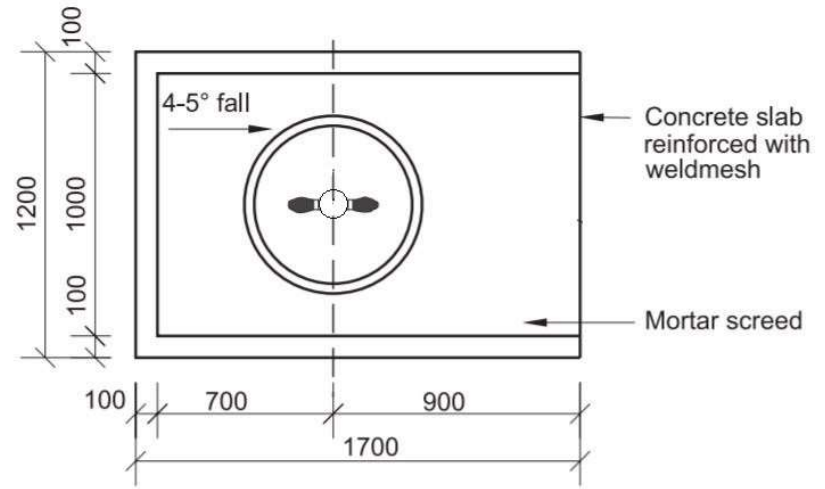
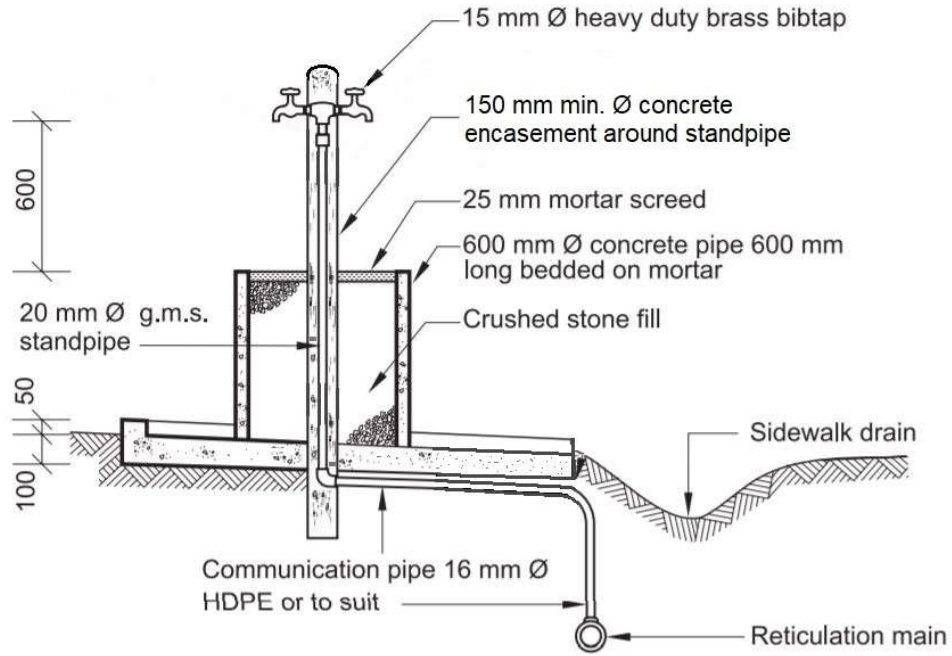


TYPICAL STANDPIPE DETAIL



STANDPIPE DETAIL