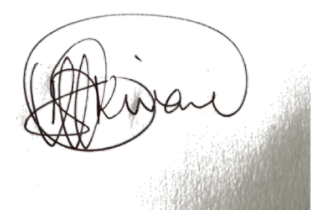
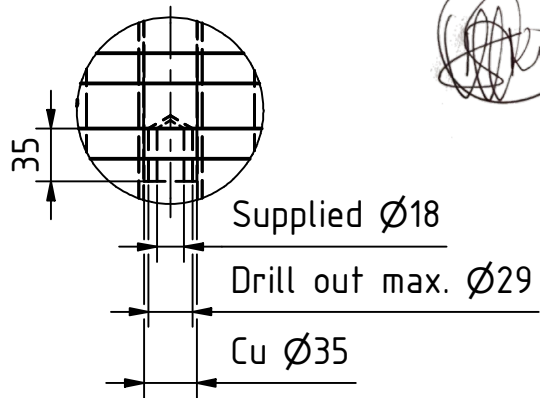
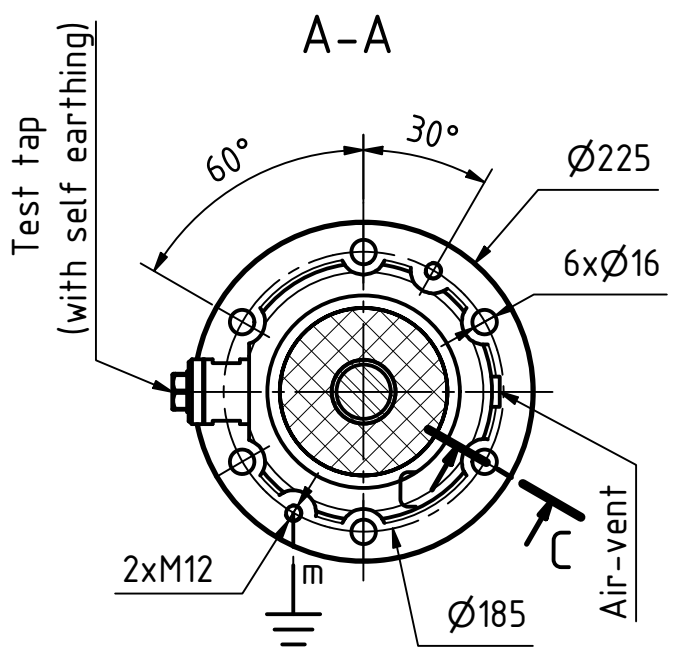
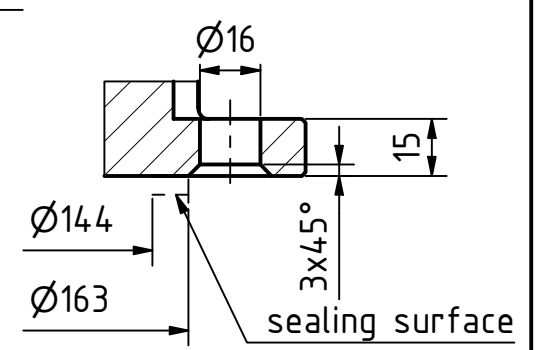


B ( 1 : 5 )

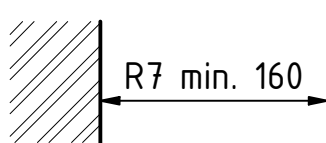
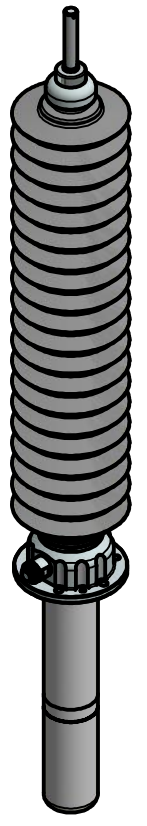
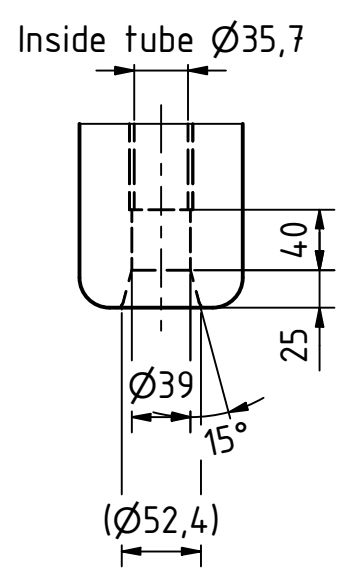


21/04/2022

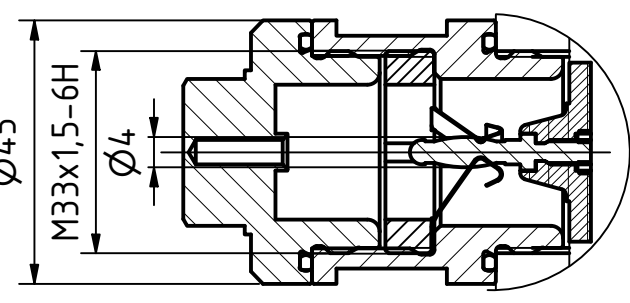
C-C ( 1 : 2 )



D ( 1 : 5 )



Test tap with self earthing



		Tol. as per DIN ISO 2768-1 (c)		PAGE: 1 / 2	FORMAT: A3
				SCALE: 1:5	
		DATE	NAME	D TOIS oil-outdoor bushing - ESKOM	
		17.03.2022	nst	123kV / 800A	
		12.04.2022	nst	E=300 / Ø225/185/111	
		12.04.2022	nst		
		www.mgc.ch		DRAWING NO.:	
				615.22.0024	
				REVISION:	
				A	
REV	DESCRIPTION	DATE	NAME		
A	Version 800A	12.04.2022	gbi		

## Design Characteristics

Insulation body		Resin impregnated synthetic (RIS)	
Insulator		Silicone light grey	
CT extension E		300 mm	
Head / Flange		Made of corrosion free aluminium alloy	
Test tap (AC test)	50Hz/60s	2 kV	
Connection to transformer winding		Draw lead (800A)	
Top terminal		B01=Copper B02=Aluminium B03=Copper silver plated B04=Copper tin plated	
Weight		41 kg	

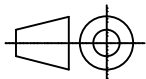
## Technical Data

Standard		IEC 60137	
Highest voltage (Um)		123 kV	
Phase to earth voltage (Uy)		71 kV	
Rated frequency (fr)		50 / 60 Hz	
Power frequency voltage withstand (AC)	50Hz/60s or 50Hz/72s @60Hz	dry 255 kV	
		wet 230 kV	
Lightning impulse withstand voltage (BIL)	1,2/50µs	550 kV	
Switching impulse (SIL)	250/2500µs	- kV	
Max. rated current (Ir)		800 A	
Cable cross section (St) max.		-	
Rated thermal short-time current (Ith)	t=2s	25 kA	
Rated dynamic current (Id)		63 kA	
Partial discharge level	1.05 Um/ √3	≤5 pC	
Tan Delta		<0.4% at ambient temperature	

## Operating Conditions

Installation altitude		1800m above sea level	
Ambient temperature		-60 / +50 °C	
Oil temperature	Max.	100 °C	
	Max. daily mean	90 °C	
Angle of mounting		0 - 90°	
Specific creepage distance	(SCD)	31mm/kV of highest voltage (Um)	
	(USCD)	53,7mm/kV of phase to earth voltage (Uy)	
Min. creepage distance		3813 mm	
Effective creepage distance		4041 mm	
Min. cantilever test load	IEC 60137 class 2	3150N / 60s	

Copyright by MGC Moser-Glaser AG



Tol. as per DIN ISO 2768-1 (c)

PAGE: 2 / 2

FORMAT: A4

SCALE: 1:5

	DATE	NAME
Creaf.	17.03.2022	nst
Check	12.04.2022	nst
Appr.	12.04.2022	nst
www.mgc.ch		

DTOIS oil-outdoor bushing - ESKOM  
123kV / 800A  
E=300 / ø225/185/111

 **MOSER GLASER**  
Current and voltage - our passion

DRAWING NO.:

**615.22.0024**

REVISION:

**A**

REV	DESCRIPTION	DATE	NAME
A	Version 800A	12.04.2022	gbi